

CAT-E-2016P



PALIER

GEHÄUSELAGER

*CHUMACERA*

SOPORTES

SUPPORTI



# Mounted Ball Bearing Units



# LDK DEYUAN BEARING MANUFACTURING Co.,LTD

LDK, established in 1986, is a dynamic and customer focused bearing manufacturer delivering valued solutions to a global market.

Through years' development, the company has become an integrated economic entity of manufacturing, research & development and sales. Covering a floor area of nearly 10 thousand square meters and 6 thousand square meters of building area, the company has more than 200 employees and own laboratory, measuring room, more than 10 manufacturing workshops which has annual production capacity of 10 millions various kinds of bearings and housings.

## Our advantage

- Valued bearing solutions for Aviation, Navigation, Power, Agricultural, HVAC, Fluid, Mining, Food & Beverage, Lawn & Garden, Material handling and power transmission industries.
- TS16949 certified manufacturing facilities.
- Dedicated research and development center.
- Testing capabilities: Fatigue Life, Strength, Noise & Vibration and Salt Spray testing.
- Flexible manufacturing to allow for low to high volume production.
- Operational excellence through continuous improvement and investment.
- Excellent customer service.



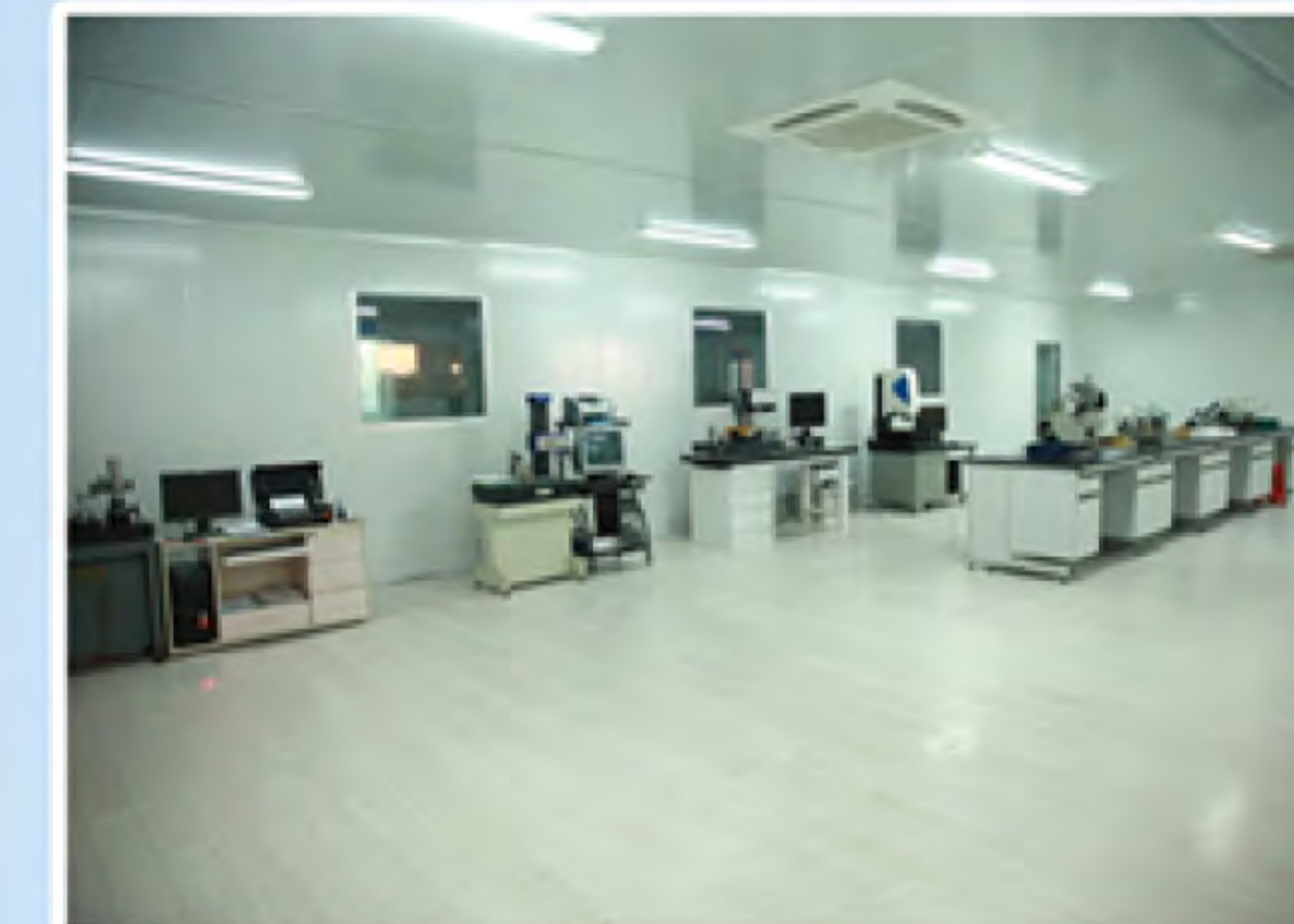
① Foundry: Vertical casting production line



① Clean room: Automatic bearing assembly line



① Corner of Laboratory: Bearing fatigue life testing machine



① Measuring room



① Tensile strength tester: 100KN Universal testing machine.



① Grinding workshop



① Physicochemical analysis room -Metallographic room



① Physicochemical analysis room - Analysis and inspection of molding sand



## Contents

---

<b>PRODUCT MODEL AND FEATURES</b>	<b>( Page16-22)</b>
<b>LDK AIR HANDLING BEARINGS</b>	<b>16</b>
<b>LDK SOLID-LUBE<sup>®</sup> BEARINGS</b>	<b>17</b>
<b>LDK ACCU-GRIP<sup>®</sup> BEARINGS</b>	<b>18</b>
<b>LDK WATERPROOF THERMOPLASTIC BEARING HOUSINGS</b>	<b>19</b>
<b>LDK ANTI-BACTERIA PROTECTION SERIES</b>	<b>20</b>
<b>SURFACE TREATMENT TO BEARINGS AND HOUSINGS</b>	<b>21</b>
<b>HIGH &amp; LOW TEMPERATURE UNITS</b>	<b>22</b>
<b>PART A</b>	
<b>ENGINEERING DATA</b>	<b>A1-A28</b>
<b>PART B</b>	
<b>1 MOUNTED UNITS</b>	
BALL BEARING UNITS	<b>B1-B60</b>
PLUMMER BLOCKS	<b>B61-B65</b>
STAMPED STEEL HOUSED UNITS	<b>B66-B69</b>
SILVER SERIES	<b>B70-B72</b>
AC UNITS	<b>B73-B75</b>
<b>2 CORROSION RESISTANT/WASH DOWN UNITS</b>	
THEMOPLASTIC BEARING UNITS	<b>B76-B93</b>
WATERPROOF PLASTIC BEARING UNTIS	<b>B94-B97</b>
ALL STAINLESS STEEL BEARING UNTIS	<b>B98-B119</b>
<b>3 BALL BEARING INSERTS</b>	
CHROME STEEL BEARING INSERTS	<b>B120-B130</b>
STAINLESS STEEL BEARING INSERTS	<b>B131-B138</b>
<b>4 AGRICULTURAL/FARM IMPLEMENT BEARINGS</b>	<b>B139-B141</b>
<b>5 ADAPTER SLEEVE</b>	<b>B142-B146</b>

## Pillow Blocks

UCP200(Standard Duty)	.....	B1
NAP200(Standard Duty)	.....	B2
UEP200(Standard Duty)	.....	B3
UKP200+H (Standard Duty)	.....	B4
UCPX00(Medium Duty)	.....	B5
UCP300(Heavy Duty)	.....	B6
UCPE200 (Standard Duty)	.....	B7
UCAK200 (Standard Duty)	.....	B8
SALP200 & SBLP200 (Light Duty)	.....	B9
UCSB200(Standard Duty)	.....	B10



UCP  
UCPX  
UCP3



NAP



UEP



UKP+H



UCPE



UCAK



SALP



SBLP



UCSB



UCP+SM+S



UCP Hollow Base



UCP Solid Base

**UCP(UCPX,UCP3)** is a pillow block unit with a rigid cast iron housing and two set screws in the inner-ring spaced at 120 degrees for maximum holding power and reliability for a wide variety of applications and operating conditions.

**NAP** is a pillow block unit with an eccentric locking collar insert that provides a very secure grip to the shaft that becomes even more secure during continued operation. It is specifically used for single-direction/non-reversing rotation.

**UEP** is a pillow block unit with a specially designed concentric locking collar that provides 360 degrees of shaft contact. It produces a more concentric lock on the shaft compared to other locking styles and it functions very well for high speed applications.

**UKP** is a pillow block unit with a tapered-bore bearing insert that utilizes an adapter sleeve assembly to produce a highly concentric and secure lock on the shaft to reduce slippage and fretting corrosion even under adverse conditions.

**UCPE** has the same insert bearing that UCP does. Housing PE is with specially designed flank and solid base. These special features enable this unit specially good for wood processing, screening and mining industries.

**UCAK** has the similar features that UCP200 does. Housing AK is with low center base.

**SBLP** is a compact and lightweight pillow block unit which is ideal for limited space applications and light to moderate duty applications.

**SALP** with SA eccentric locking collar style is also available.

**UCSB** has a feature of anti-vibration, compact and easy to install. This makes a better performance than UCP.

Except PE style housing is with solid base, the rest of the styles are all with hollow base. However, upon request, these housings could also be made with solid base. Add a suffix "SB" as designation.

Housing is available with pressed steel end cap on one side or both sides. Add prefix "SM" for closed and "S" for open caps. Ordering example: UCP205+SM. SM205 for closed cap and S205 for open cap.

A standard housing is without cap groove. Upon request, housing could be machined cap groove. Add suffix "M" as ordering designation. Example P205 M.



UCPA



UEPA



UCPW



UCPG



UCTB



UETB

## Tapped Base Pillow Blocks

UCPA200 (Standard Duty)	.....	B11
UEPA200 (Standard Duty)	.....	B12
UCPW200 (Standard Duty)	.....	B13
UCPG200 (Standard Duty)	.....	B14
UCTB200 (Standard Duty)	.....	B15

**UCPA** is tapped-base pillow blocks with threaded bolt holes in the bottom of the housings. They are ideal for exact unit positioning and limited space applications. They are available in both inch and metric bolt-hole dimensions. NA & UK styles are also available.

**UEPA** is a tapped-base pillow block unit with a specially designed concentric locking collar that provides 360 degrees of shaft contact. It produces a more concentric lock on the shaft compared to other locking styles and it functions very well for high speed applications.

**UCPW,UCPG** are tapped-base pillow blocks with threaded bolt holes in the bottom of the housings. They are ideal for exact unit positioning and limited space applications. They are available in both inch and metric bolt-hole dimensions. Drop in replacement to NBR.

**UCTB** has the same features that UCPA does but with inch-based housing.



UCPH

## Pedestal Base Pillow Blocks

UCPH200 (Standard Duty)	.....	B16
-------------------------	-------	-----

**UCPH** is a pedestal pillow block unit with an exceptionally high mounting base. It is ideal for applications where a shouldered shaft could create interference with the mounting surface when using a standard pillow block unit.



UCF  
UCFX  
UCF3



NAF



UEF



UKF+H



UCFS



NAFS

## 4-Bolt Flange Units

UCF200 (Standard Duty)	.....	B17
NAF200 (Standard Duty)	.....	B18
UEF200 (Standard Duty)	.....	B19
UKF200+H (Standard Duty)	.....	B20
UCFX00 (Medium Duty)	.....	B21
UCF300 (Heavy Duty)	.....	B22
UCFS300 (Heavy Duty)	.....	B23
NAFS200 (Standard Duty)	.....	B24

**UCF(UCFX,UCF3)** is a four-bolt flange unit with a rigid cast iron housing and two setscrews in the inner-ring spaced at 120 degrees for maximum holding power and reliability for a wide variety of applications and operating conditions. UK style is also available.

**NAF** is a four-bolt flange unit with an eccentric locking collar insert that provides a very secure grip to the shaft that becomes even more secure during continued operation. It is specifically used for single-direction/non-reversing rotation.



UCF Hollow Base



UCF+SM



UCF Solid Base

**UEF** is a four-bolt flange unit with a specially designed concentric locking collar that provides 360 degrees of shaft contact. It produces a more concentric lock on the shaft compared to other locking styles and it functions very well for high speed applications.

**UCFS3** is a piloted four-bolt flange unit available with a heavy duty bearing insert for a demanding operating environment. The pilot on the back of the housing allows for precise mounting where necessary. **UK** style is also available.

**NAFS** has the main features that the NAFL does but with extended housing height which allows wider inner ring not to extrude out of housing base.

All these housings are with hollow base. However, upon request, they could be made with solid base. To order, please add suffix "SB" as designation. Ordering example: UCF205 SB. A standard housing is without cap groove. Upon request, housing could be machined cap groove. Add suffix "M" as ordering designation. Example F205 M.

Housing is available with pressed steel end cap on one side. Add prefix "SM" for closed and "S" for open caps. Ordering example:UCF205+SM. SM205 for closed cap and S205 for open cap.

### 3-Bolt Flange Units



UCFB  
UCFB...A



UEFB



SBFCT



SAFCT

UCFB200 (Standard Duty) .....	B25
UCFB200A (Standard Duty) .....	B26
UEFB200 (Standard Duty) .....	B27
SBFCT200 & SAFCT200 (Light Duty, Ductile Iron Housing) .....	B28

**UCFB** is a three-bolt flange bracket with rigid cast iron housings and two setscrews in the inner ring spaced at 120 degrees for maximum holding power and reliability for a wide variety of applications and operating conditions. **UCFB** is with metric bolt-hole dimensions while **UCFB..A** is with inch bolt-hole dimensions.

**UEFB** is a three-bolt flange bracket with a specially designed concentric locking collar that provides 360 degrees of shaft contact. It produces a more concentric lock on the shaft compared to other locking styles and it functions very well for high speed applications.

**SBFCT,SAFCT** are compact and lightweight three-bolt flange units with square bolt holes for carriage bolts and a ductile iron housing for added strength. It is ideal for limited space applications and light to moderate duty applications. Housing made of ductile iron with feet. Insert bearing available with setscrew locking and eccentric locking.

### 2-Bolt Flange Units



UCFL  
UCFLX  
UCFL3



NAFL



UEFL



UKFL+H

UCFL200 (Standard Duty) .....	B29
NAFL200 (Standard Duty) .....	B30
UEFL200 (Standard Duty) .....	B31
UKFL200+H (Standard Duty) .....	B32
UCFLX00 (Medium Duty) .....	B33
UCFL300 (Heavy Duty) .....	B34
NAFLU200 (Standard Duty) .....	B35
UCFT200 (Standard Duty) .....	B36
UEFT200 (Standard Duty) .....	B37
SBLF200 & SALF200 (Light Duty) .....	B38
SBFW200 & SAFW200 (Light Duty) .....	B39
SBFD200 & SAFD200 (Light Duty) .....	B40
SBPFTD200 & SAPFTD200 (Light Duty, Ductile Iron Housing) .....	B41



NAFLU



UCFL+SM



UCFT



UEFT



SBLF



SALF



SBFW



SAFW



SBFD



SAFD



SBPFTD



SAPFTD



UCFL Hollow Base



UCFL Solid Base

**UCFL (UCFLX,UCFL3)** is a two-bolt flange unit with a rigid cast iron housing and two setscrews in the inner-ring spaced at 120 degrees for maximum holding power and reliability for a wide variety of applications and operating conditions. **UK** style is also available. **UCFT** has the similar features that **UCFL** does but with inch-based housing.

**NAFL** is a two-bolt flange unit with an eccentric locking collar insert that provides a very secure grip to the shaft that becomes even more secure during continued operation. It is specifically used for single-direction/non-reversing rotation.

**UEFL** is a two-bolt flange unit with a specially designed concentric locking collar that provides 360 degrees of shaft contact. It produces a more concentric lock on the shaft compared to other locking styles and it functions very well for high speed applications.

**NAFLU** has the main features that **NAFL** does but with extended housing height which allows wider inner ring not to extrude out of housing base.

**UEFT** is a two-bolt flange unit with a specially designed concentric locking collar that provides 360 degrees of shaft contact. It produces a more concentric lock on the shaft compared to other locking styles and it functions very well for high speed applications. Housing FT is with inch-based dimensions.

**SBLF** is a compact and lightweight two-bolt flange unit which is ideal for limited space applications and light to moderate duty applications. **SALF** with SA eccentric locking collar style is also available.

**SBFW,SAFW** are lightweight bearing mounted two-bolt flange units which is ideal for limited space installation and light to moderate duty applications. FW housing is with mounting slot on the side of setscrew or eccentric locking collar. Insert bearing with setscrew or eccentric locking collar.

**SBFD,SAFD** are lightweight bearing mounted two-bolt flange units which is ideal for limited space installation and light to moderate duty applications. FD housing is with mounting slot on the opposite side of setscrew or eccentric locking collar. Insert bearing with setscrew or eccentric locking collar.

**SBPFTD,SAPFTD** are compact and lightweight three-bolt flange units with square bolt holes for carriage of bolts and a ductile iron housing for added strength. It is ideal for limited space installation and light to moderate duty applications.

Upon request, some of these housings could be made with solid base. To order, please add suffix "SB" as designation. Ordering example: UCFL205 SB. A standard housing is without cap groove. Upon request, housing could be machined cap groove. Add suffix "M" as ordering designation. Example FL205 M.

Housing is available with pressed steel end cap on one side. Add prefix "SM" for closed and "S" for open caps. Ordering example:UCF205+SM. SM205 for closed cap and S205 for open cap.

## Adjustable Flange Units

UCFA200 (Standard Duty) ..... B42



UCFA

**UCFA** is an adjustable two-bolt flange unit with a rigid cast iron housing and two setscrews in the inner-ring spaced at 120 degrees for maximum holding power and reliability for a wide variety of applications and operating conditions.

## Take Up Units



UCT  
UCTX  
UCT3



NAT



UET



UKT+H



UCST



UCT+SM

UCT200 (Standard Duty)	.....	B43
NAT200 (Standard Duty)	.....	B44
UET200 (Standard Duty)	.....	B45
UKT200+H (Standard Duty)	.....	B46
UCTX00 (Medium Duty)	.....	B47
UCT300 (Heavy Duty)	.....	B48
UCST200 (Standard Duty)	.....	B49

**UCT(UCTX,UCT3)** is a take-up unit suitable for use in a side-mount take-up frame. It has a rigid cast iron housing and setscrews in the inner ring spaced at 120 degrees for maximum holding power and reliability for a wide variety of applications and operating conditions. **UK** style is also available.

**NAT** is a take-up unit with an eccentric locking collar insert that provides a very secure grip to the shaft that becomes even more secure during continued operation. It is specifically used for single-direction/non-reversing rotation.

**UET** is a take-up unit with a specially designed concentric locking collar that provides 360 degrees of shaft contact. It produces a more concentric lock on the shaft compared to other locking styles and it functions very well for high speed applications.

**UCST** is a wide-slot narrow slot take up unit. It has a rigid cast iron housing and two setscrews in the inner-ring spaced at 120 degrees for maximum holding power and reliability for a wide variety of applications and operating conditions.

## Flange Cartridge Units



UCFC  
UCFCX



NAFC



UEFC



UKFC+H



UCFCS



UCFCSX

UCFC200 (Standard Duty)	.....	B50
NAFC200 (Standard Duty)	.....	B51
UEFC200 (Standard Duty)	.....	B52
UKFC200+H (Standard Duty)	.....	B53
UCFCX00 (Medium Duty)	.....	B54
UCFCS200 (Standard Duty)	.....	B55
UCFCSX00 (Medium Duty)	.....	B56

**UCFC,UCFCX** are piloted flange cartridge units with rigid cast iron housings and two setscrews in the inner-ring spaced at 120 degrees for maximum holding power and reliability for a wide variety of applications and operating conditions. The pilot on the back of the housing allows for precise mounting where necessary.

**UK,NA** and **UCX** styles are also available.

**UEFC** is a piloted flange cartridge unit with a specially designed concentric locking collar that provides 360 degrees of shaft contact. It produces a more concentric lock on the shaft compared to other locking styles and it functions very well for high speed.

**UCFCS/UCFCSX** have the similar features that UCFC/UCFCX do but housings are inch-based.





UCC

## Cylindrical Cartridge Units

UCC200 (Standard Duty) ..... B57

**UCC** is a cartridge unit with two specially designed setscrews in the inner-ring spaced at 120 degrees for maximum holding power and reliability for a wide variety of applications and operating conditions. The cartridge housing allows for precise shaft mounting and expansion capability where necessary. **UK, NA, UE** styles are also available.



UCHA



UEHA



UCHE

## Hanger Units

UCHA200 (Standard Duty) ..... B58

UEHA200 (Standard Duty) ..... B59

UCHE200 (Standard Duty) ..... B60

**UCHA,UCHE** are hanger unit with a threaded-base for simple installation on a threaded pipe mounting configuration. It has two setscrews in the inner-ring spaced at 120 degrees for maximum holding power and reliability for a wide variety of applications and operating conditions.

**UEHA** is a hanger unit with a threaded-base of simple installation on a threaded pipe mounting configuration. The insert bearing incorporates a specially designed concentric locking collar that provides 360 degrees of shaft contact. It produces a more concentric lock on the shaft compared to other locking styles and it functions very well for high speed applications.



SN



SNU



SNG



SAF

## Plummer Blocks

SN500 ..... B61

SNU500 ..... B62

SNG500 ..... B63

SAF500 ..... B64

Sealing Options ..... B65

**SN500(SNU,SNG)** have separate matched caps and bases. In larger sizes where plummer blocks are heavier, this split-block design eases installation. The block can be converted from fixed to float by adding or removing the locating rings. A variety of sealing options help protect against contamination for highly contaminated environment. Available in a variety of shaft sizes.

**SAF500** is specially designed for heavy load application. It has separate matched caps and bases. In larger sizes where plummer blocks are heavier, this split-block design eases installation. The block can be converted from fixed to float by adding or removing the locating rings. A variety of of sealing options help protect against contamination for highly contaminated environment. Available in a variety of shaft sizes. This split block is made by rugged cast iron. Cast ductile iron or cast steel are also available to match a range of industrial environments.



SBPP



SAPP



SBPFL



SAPFL



SAPF



SBPF



SAPFT



SBPFT

## Stamped Steel Housed Units

SBPP200 & SAPP200 (Light Duty)	.....	B66
SBPFL200 & SAPFL200 (Light Duty)	.....	B67
SAPF200 & SAPFT200 (Light Duty)	.....	B68
SBPF200 & SBPFT200 (Light Duty)	.....	B69

**SBPP** is a pillow block unit with a lightweight and compact stamped steel housing for light to moderate duty applications.

**SAPP** with SA eccentric locking collar style is also available.

**SBPFL** is a two-bolt flange unit with a lightweight and compact stamped steel housing for light to moderate duty applications.

**SAPFL** with SA eccentric locking collar style is also available.

**SBPF** is a round three-bolt flange unit with a lightweight and compact stamped steel housing for light to moderate duty applications.

**SAPF** with SA eccentric locking collar style is also available.

**SBPFT/SAPFT** triangle three-bolt flange units with a lightweight and compact stamped steel housing for light to moderate duty applications.

**SBPFT** is with setscrew and **SAPFT** is with eccentric locking collar.

## Silver Series

K000 & U000 (Light Duty)	.....	B70
UP000 & UFL000 (Light Duty)	.....	B71
KP000 & KP000+C/D & KFL000 & KFL000+C/D (Light Duty)	.....	B72



U...



K...



UP



KP



UFL



KFL



KP...C



KFL...C

### K...Setscrew locking

This deep groove ball bearing insert is intended for very light loads and is used in light duty conveying applications as part of our Silver Series. This bearing has a spherical O.D. and comes pre-lubricated from the factory. These inserts are with a wider inner ring and have no grease groove or grease holes for re-lubrication. Two setscrews at 120 degrees apart affix this insert to the shafting.

### U...Eccentric locking collar

This deep groove ball bearing insert is intended for very light loads and is used in light duty conveying applications as part of our Silver Series. This bearing has a spherical O.D. and with eccentric locking collar and comes pre-lubricated from the factory. These inserts are with wider inner ring and have no grease groove or grease holes for re-lubrication.

**UP** is a light duty pillow block unit that is part of the Silver Series. It has a zinc-alloy housing for a high level of corrosion resistance and it is capable of accepting end covers on both ends to increase contamination resistance. With eccentric locking collar.

**UFL** is a light duty two-bolt flange unit that is part of the Silver Series. It has a zinc-alloy housing for a high level of corrosion resistance and it is capable of accepting end covers to increase contamination resistance. With eccentric locking collar.

**KP** is a light duty pillow block unit that is part of the Silver Series. It has a zinc-alloy housing for a high level of corrosion resistance and it is capable of accepting end covers on both ends to increase contamination resistance. With setscrew locking.

**KFL** is a light duty two-bolt flange unit that is part of the Silver Series. It has a zinc-alloy housing for a high level of corrosion resistance and it is capable of accepting end covers to increase contamination resistance. With setscrew locking.



RSA



RSB



RCSA



RCSB



RSAPP



RSBPP

## AC Units

RSA200 & RSB200 (Light Duty)	.....	B73
RCSA200 & RCSB200 (Light Duty)	.....	B74
RSAPP200 & RSBPP200 (Light Duty)	.....	B75

**RCSA,RCSB** are rubber mounted cartridge units. The conductive rubber interliner helps dissipate static and reduce noise and vibration. RCSB has two setscrews 120° apart in the inner ring while RCSA is with eccentric locking collar. Both insert bearings are with cylindrical O.D.

**RSA,RSB** are rubber mounted cartridge units. The conductive rubber interliner helps dissipate static and reduce noise and vibration. RSB has two setscrews 120° apart in the inner ring while RSA is with eccentric locking collar. Both insert bearings are with spherical O.D.

**RSAPP200,RSBPP200** are rubber cushioned pressed steel pillow blocks. The conductive rubber interliner helps dissipate static and reduce noise and vibration. RSBPP is with RSB cartridge inserts while RSAPP is with RSA inserts.

## Thermoplastic Housed Units

General Information	.....	B76
TP-SUCP200 (Standard Duty)	.....	B77
TP-SUEP200 (Standard Duty)	.....	B78
TP-SUCF200 (Standard Duty)	.....	B79
TP-SUEF200 (Standard Duty)	.....	B80
TP-SUCFL200 (Standard Duty)	.....	B81
TP-SUEFL200 (Standard Duty)	.....	B82
TP-SUCPA200 (Standard Duty)	.....	B83
TP-SUEPA200 (Standard Duty)	.....	B84
TP-SUCT200 (Standard Duty)	.....	B85
TP-SUET200 (Standard Duty)	.....	B86
TP-SUCFB200 (Standard Duty)	.....	B87
TP-SUEFB200 (Standard Duty)	.....	B88
TP-SUCTB200 (Standard Duty)	.....	B89
TP-SUETB200 (Standard Duty)	.....	B90
TP-SSBLF200 (Standard Duty)	.....	B91
TP-SBPY200 & TP-SAPY200 (Light Duty)	.....	B92
Accessories:End-covers,Back seal	.....	B93



TP-SUCP



TP-SUEP



TP-SUCF



TP-SUEF



TP-SUCFL



TP-SUEFL

**TP-SUCP** is a pillow block unit with a corrosion resistant thermoplastic housing and stainless steel bearing insert which offers a high level of corrosion resistance and they are factory lubricated with food grade grease.

**TP-SUEP** is a two-bolt flange unit with a corrosion resistant thermoplastic housing. The stainless steel insert bearing is made out of stainless steel and incorporates with a specially designed concentric collar that provides 360 degrees of shaft contact. It produces a more concentric lock on the shaft compared to other locking styles and it functions very well for high speed applications. It is pre-filled with food grade grease for food processing applications.



TP-SUCPA



TP-SUEPA



TP-SUCT



TP-SUET



TP-SUCFB



TP-SUETB



TP-SUCTB



TP-SUETB



TP-SSBLF



TP-SAPY



TP-BS



TP-SBPY



TP-OC



TP-CC

**TP-SUCF** is a four-bolt flange unit with a corrosion resistant thermoplastic housing and stainless steel bearing insert which offers a high level of corrosion resistance and they are factory lubricated with food grade grease.

**TP-SUEF** is a four-bolt flange unit with a corrosion resistant thermoplastic housing. The stainless steel insert bearing is made out of stainless steel and incorporates with a specially designed concentric collar that provides 360 degrees of shaft contact. It produces a more concentric lock on the shaft compared to other locking styles and it functions very well for high speed applications. It is pre-filled with food grade grease for food processing applications.

**TP-SUCFL** is a two-bolt flange unit with a corrosion resistant thermoplastic housing stainless steel bearing insert which offers a high level of corrosion resistance and they are factory lubricated with food grade grease.

**TP-SUEFL** is a two-bolt flange unit with a corrosion resistant thermoplastic housing. The stainless steel insert bearing is made out of stainless steel and incorporates with a specially designed concentric collar that provides 360 degrees of shaft contact. It produces a more concentric lock on the shaft compared to other locking styles and it functions very well for high speed applications. It is pre-filled with food grade grease for food processing applications.

**TP-SUCPA** is a tapped-base pillow block unit with a corrosion resistant thermoplastic housing and stainless steel bearing insert which offers a high level of corrosion resistance and they are factory lubricated with food grade grease.

**TP-SUEPA** is a tapped based pillow block unit with a corrosion resistant thermoplastic housing. The stainless steel insert bearing is made out of stainless steel and incorporates with a specially designed concentric collar that provides 360 degrees of shaft contact. It produces a more concentric lock on the shaft compared to other locking styles and it functions very well for high speed applications. It is pre-filled with food grade grease for food processing applications.

**TP-SUCT200** is a take up unit with a corrosion resistant thermoplastic housing and stainless steel bearing insert which offers a high level of corrosion resistance and they are factory lubricated with food grade grease.

**TP-SUET200** is a take up unit with a corrosion resistant thermoplastic housing. The stainless steel insert bearing is made out of stainless steel and incorporates with a specially designed concentric collar that provides 360 degrees of shaft contact. It produces a more concentric lock on the shaft compared to other locking styles and it functions very well for high speed applications. It is pre-filled with food grade grease for food processing applications.

**TP-SUCFB** is a three-bolt flange bracket unit with a corrosion resistant thermoplastic housing and stainless steel bearing insert which offers a high level of corrosion resistance and they are factory lubricated with food grade grease.

**TP-SUEFB** is a three-bolt flange bracket unit with a corrosion resistant thermoplastic housing. The stainless steel insert bearing is made out of stainless steel and incorporates with a specially designed concentric collar that provides 360 degrees of shaft contact. It produces a more concentric lock on the shaft compared to other locking styles and it functions very well for high speed applications. It is pre-filled with food grade grease for food processing applications.

**TP-SUCTB200** is a tapped-base pillow block unit with a corrosion resistant thermoplastic housing and stainless steel bearing insert which offers a high level of corrosion resistance and they are factory lubricated with food grade grease. Housing TB with inch-based dimensions.

**TP-SUETB200** is a tapped-base pillow block unit with a corrosion resistant thermoplastic housing. The stainless steel insert bearing is made out of stainless steel and incorporates with a specially designed concentric collar that provides 360 degrees of shaft contact. It produces a more concentric lock on the shaft compared to other locking styles and it functions very well for high speed applications. It is pre-filled with food grade grease for food processing applications. Housing TB with inch-based dimensions.

**TP-SUCLF200** is a compact and lightweight two-bolt flange unit with a corrosion resistant thermoplastic housing and stainless steel bearing insert which offers a high level of corrosion resistance and they are factory lubricated with food grade grease.

**TP-SBPY200,TP-SAPY200** are special designed, compact and lightweight thermoplastic pillow block with either option of a standard, Zinc coated ,black oxidized chrome steel or stainless steel insert bearings. Applicable only with narrow inner ring inserts, setscrew or eccentric collar locking. Good for limited installation space.

## Water-Proof Thermoplastic Housed Units



WP-P

WP-FL



WP-F

WP-CC



WP-BS

WP-OC

WP-SSBP200 .....	B94
WP-SSBFL200 .....	B95
WP-SSBF200 .....	B96
Accessories:End-Covers,Back seal .....	B97

**WP-SSBP** is a water-proof pillow block unit with a corrosion resistant thermoplastic housing and stainless steel bearing insert. Thanks to its specially designed sealing system, this units offer an excellent resistance to food & liquid contaminants, adapt to frequent washdowns. Chrome steel insert bearing is also available to meet your budget and performance needs.

**WP-SSBFL** is a water-proof 2-bolt flange unit with a corrosion resistant thermoplastic housing and stainless steel bearing insert. Thanks to its specially designed sealing system, this units offer an excellent resistance to food & liquid contaminants, adapt to frequent washdowns. Chrome steel insert bearing is also available to meet your budget and performance needs.

**WP-SSBF** is a water-proof 2-bolt flange unit with a corrosion resistant thermoplastic housing and stainless steel bearing insert. Thanks to its specially designed sealing system, this units offer an excellent resistance to food & liquid contaminants, adapt to frequent washdowns. Chrome steel insert bearing is also available to meet your budget and performance needs.

Back Seal(BS), Close Cap(CC) and Open Cap(OC) can be ordered separately. Ordering example WP-BS205, WP-CC205,WP-OC205. **Anti-Bacteria Protection Series is also available upon request(see more details on page20.**



SSUCP..ESB

SSUCP..A



SSUEP..ESB

SSUCP..A/HP



SSUCF..EHB  
SSUCF..ESB

SSUCF..A



SSUEF..EHB  
SSUEF..ESB

SSUCF..EHB+OC

## All Stainless Steel Bearing Units

General Information .....	B98
SSUCP200ESB (Standard Duty) .....	B99
SSUCP200A (Standard Duty) .....	B100
SSUEP200ESB (Standard Duty) .....	B101
SSUCF200EHB SSUCF200ESB (Standard Duty) .....	B102
SSUCF200A (Standard Duty) .....	B103
SSUEF200EHB SSUEF200ESB (Standard Duty) .....	B104
SSUCFL200EHB SSUCFL200ESB (Standard Duty) .....	B105
SSUCFL200A (Standard Duty) .....	B106
SSUEFL200EHB SSUEFL200ESB (Standard Duty) .....	B107
SSUCT200 (Standard Duty) .....	B108
SSUET200 (Standard Duty) .....	B109
SSUCFC200 (Standard Duty) .....	B110
SSUEFC200 (Standard Duty) .....	B111
SSUCPA200 (Standard Duty) .....	B112
SSUCPA200A (Standard Duty) .....	B113
SSUEPA200A (Standard Duty) .....	B114
SSUCFB200A (Standard Duty) .....	B115
SSUEFB200A (Standard Duty) .....	B116



SSUCFL..EHB  
SSUCFL..ESB



SSUCFL..A



SSUCT



SSUEFL..ESB



SSUET



SSUCFC



SSUEPA..A



SSUEFC



SSUCPA



SSUCPA..A



SSUCFB..A



SSUEFB..A



SSUCP..A  
SSUCP..ESB



SSUCP..EHB



SSUCF..A  
SSUCF..ESB



SSUCF..EHB+BS



SSUCFL..A  
SSUCFL..ESB



SSUCFL..EHB

**SSUCP** is a pillow block unit that is made entirely out of stainless steel components for the highest level of corrosion resistance for a mounted bearing unit. It is pre-filled with food grade grease for food processing applications. Housing available with European and American style. Suffix ESB=European style, solid base. A=American style.

**SSUEP** is a pillow block unit that is made entirely out of stainless steel components for the highest level of corrosion resistance for a mounted bearing units. The stainless steel insert bearing incorporates with a specially designed concentric collar that provides 360 degrees of shaft contact. It produces a more concentric lock on the shaft compared to other locking styles and it functions very well for high speed applications. It is pre-filled with food grade grease for food processing applications.

**SSUCF** is a four-bolt flange unit that is made entirely out of stainless steel components for the highest level of corrosion resistance for a mounted bearing unit. It is also pre-filled with food grade grease for food processing applications. Housing available with European and American style. Suffix ESB=European style, solid base. EHB=European style, hollow base. A=American style.

**SSUEF** is a four-bolt flange unit that is made entirely out of stainless steel components for the highest level of corrosion resistance for a mounted bearing units. The stainless steel insert bearing incorporates with a specially designed concentric collar that provides 360 degrees of shaft contact. It produces a more concentric lock on the shaft compared to other locking styles and it functions very well for high speed applications. It is pre-filled with food grade grease for food processing applications.

**SSUCFL** is a two-bolt flange unit that is made entirely out of stainless steel components for the highest level of corrosion resistance for a mounted bearing unit. It is also pre-filled with food grade grease for food processing applications. Housing available with European and American style. Suffix ESB=European style, solid base. EHB=European style, hollow base. A=American style.

**SSUEFL** is a two-bolt flange unit that is made entirely out of stainless steel components for the highest level of corrosion resistance for a mounted bearing units. The stainless steel insert bearing incorporates with a specially designed concentric collar that provides 360 degrees of shaft contact. It produces a more concentric lock on the shaft compared to other locking styles and it functions very well for high speed applications. It is pre-filled with food grade grease for food processing applications.

**SSUCT** is a wide-slot take-up unit that is made entirely out of stainless steel components for the highest level of corrosion resistance for a mounted bearing unit. It is pre-filled with food grade grease for food processing applications.

**SSUET** is a wide-slot take-up unit that is made entirely out of stainless steel components for the highest level of corrosion resistance for a mounted bearing unit. The stainless steel insert bearing incorporates with a specially designed concentric collar that provides 360 degrees of shaft contact. It produces a more concentric lock on the shaft compared to other locking styles and it functions very well for high speed applications. It is pre-filled with food grade grease for food processing applications.

**SSUCFC** is a four-bolt flange cartridge units that is made entirely out of stainless steel components for the highest level of corrosion resistance for a mounted bearing unit. It is also pre-filled with food grade grease for food processing applications.

**SSUEFC** is a four-bolt flange bartridge units that is made entirely out of stainless steel components for the highest level of corrosion resistance for a mounted bearing unit. The stainless steel insert bearing incorporates with a specially designed concentric collar that provides 360 degrees of shaft contact. It produces a more concentric lock on the shaft compared to other locking styles and it functions very well for high speed applications. It is pre-filled with food grade grease for food processing applications.

**SSUCPA** is a tapped-base pillow block unit with threaded bolt holes in the bottom of the housings. It is made entirely out of stainless steel components for the highest level of corrosion resistance for a mounted bearing unit. It is ideal for exact unit positioning and limited space applications. It is pre-filled with food grade grease for food processing applications. Inch-based housing SPA..A is also available.

**SSUEPA..A** is a tapped-base pillow block unit with threaded holes in the bottom of the housings. It is made entirely out of stainless steel components for the highest level of corrosion resistance for a mounted bearing units. It's ideal for exact unit positioning and limited space applications. The stainless steel insert bearing incorporates with a specially designed concentric collar that provides 360 degrees of shaft contact. It produces a more concentric lock on the shaft compared to other locking styles and it functions very well for high speed applications. It is pre-filled with food grade grease for food processing applications.

**SSUCFB..A** is a flange bracket unit that is made entirely out of stainless steel components for the highest level of corrosion resistance for a mounted bearing unit. It is ideal for exact unit positioning and limited space applications. It is pre-filled with food grade grease for food processing applications.

**SSUEFB..A** is a flange bracket unit that is made entirely out of stainless steel components for the highest level of corrosion resistance for a mounted bearing unit. The stainless steel insert bearing incorporates with a specially designed concentric collar that provides 360 degrees of shaft contact. It produces a more concentric lock on the shaft compared to other locking styles and it functions very well for high speed applications. It is pre-filled with food grade grease for food processing applications.

## All Stainless Steel Silver Series

SU000 & SK000 (Light Duty) .....	B117
SSUP000 & SSUFL000 (Light Duty) .....	B118
SSKP000 & SSKFL000 (Light Duty) .....	B119



SU



SK



SSUP



SSKP



SSUFL



SSKFL

### With setscrews

#### SK...Stainless steel

SK bearing has the same features that K bearing does and is constructed of stainless steel material and is used as part of our stainless steel Silver Series. The stainless material is superior in corrosion resistance compared to the normal Silver series insert.

### With eccentric locking collar

#### SU...Stainless steel

SU bearing has the same features that U bearing does and is constructed of stainless steel material and is used as part of our stainless steel Silver Series. The stainless steel material is superior in corrosion resistance compared to normal Silver Series insert.

**SSUP** is a light duty stainless pillow block unit that is part of the stainless steel Silver Series. It has a stainless housing for a high level of corrosion resistance and it is capable of accepting end covers to increase contamination resistance. With eccentric collar locking.

**SSUFL** is a light duty stainless two-bolt flange unit that is part of the stainless steel Silver Series. It has a stainless housing for a high level of corrosion resistance and it is capable of accepting end covers to increase contamination resistance. With eccentric collar locking.

**SSKP** is a light duty stainless pillow block unit that is part of the stainless steel Silver Series. It has a stainless housing for a high level of corrosion resistance and it is capable of accepting end covers to increase contamination resistance. With setscrew locking.

**SSKFL** is a light duty stainless two-bolt flange unit that is part of the stainless steel Silver Series. It has a stainless housing for a high level of corrosion resistance and it is capable of accepting end covers to increase contamination resistance. With setscrew locking.

## Bearing Inserts

UC200 & UC200 L3 & CUC200 (Standard Duty) .....	B120
UC300 (Heavy Duty) .....	B121
UCX00 & UCX00 L3 (Medium Duty) .....	B122
NA200 & NA200 L3 (Standard Duty) .....	B123
UE200 (Standard Duty) .....	B124
UER200 (Standard Duty) .....	B125
SA200 & CSA200 ((Light Duty) .....	B126
SB200 & CSB200 ((Light Duty) .....	B127
UD200 (Standard Duty)) .....	B128
UK200 (Standard Duty) .....	B129
SER200 (Standard Duty) .....	B130



UC2  
UCX  
UC3



UC2..L3  
UCX..L3



BUC



CUC

### With set screws, wider inner ring

#### UC2 (UCX, UC3) ...L3

This deep groove ball bearing insert is with rubber seal and metal slinger comes pre-lubricated with lithium based grease. This insert incorporates a wide inner ring design with two setscrews spaced at 120 degrees apart to affix the insert to the shaft. The setscrew locking design with wide inner ring is the most common insert and can be used in a wide variety of applications. The spherical O.D. of the insert has both a grease groove as well as grease holes to re-lubricate the insert when needed. The UC insert can be ordered with a triple lip seal by using a suffix L3 as designation. **CUC** is with cylindrical O.D.



NA



NA...L3



UE



UER



SA



CSA



SB



CSB



UD



UK



SER



Custom-made Bearings

**With eccentric locking collar, wider inner ring  
NA2,NA2..L3**

This deep grooved ball bearing insert with rubber seal and metal slinger comes pre-lubricated with lithium based grease. This insert incorporates a wide inner ring design with an eccentric locking collar for securing the insert to the shafting. The insert has grease holes and a grease groove on the outer ring for re-lubrication. The spherical O.D. allows this insert to be installed in a wide range of housings. When the insert is affixed to the shaft, the eccentric collars' elliptical shape meshes with the elliptical surface of the inner ring. The NA insert can be ordered with a triple lip seal by using a suffix L3 as designation.

The turning of the inner ring locks the shafting in place and a setscrew is tightened to keep it from slipping.

**With concentric locking collar, wider inner ring  
UE2**

The LDK **Accu-Grip**® bearing features a concentric locking collar that allows for 360 degrees of locking contact. This deep groove ball bearing insert uses a grooved inner ring with a collar that incorporates a hex screw that is tightened to squeeze equally against the inner ring. The **Accu-Grip**® insert has a spherical O.D. and has grease grooves and grease holes for re-lubricating. The roundness of the ball path created by the **Accu-Grip**® bearing results in better operation and longer life. The collar is designed to prevent shaft marring and burring that can occur with other locking options. Black oxidation treatment is given to the entire bearing as standard. Raceway coating could be removed as an option for a better rotating, noise and vibration level.

**With concentric locking collar, cylindrical O.D., wider inner ring, locating snap ring and snap ring groove  
UER2**

UER has a cylindrical O.D with grease groove and grease hole outer ring for re-lubrication. it has a snap ring on the outer ring to help make locating the bearing a simple task during installation. The roundness of the ball patch created by the **Accu-Grip**® bearing results in better operation and longer life. The collar is designed to prevent shaft marring and burring that can occur with other locking options. Black oxidation treatment is given to the entire bearing as standard. Raceway coating could be removed as an option a better rotating, noise and vibration level. Black oxidation treatment is given to the entire bearing as standard. Raceway coating could be removed as an option for a better rotating, noise and vibration level.

**With eccentric locking collar, narrow inner ring  
SA2**

This deep grooved ball bearing unit with spherical O.D. is the same as the SB type insert, but uses an eccentric locking collar for affixing to the shaft. This insert comes from the factory pre-lubricated with lithium base grease. This bearing can be ordered in either re-lube style or sealed for life. The re-lube style has a grease groove and grease holes on the O.D. while the lubed for life does not. To order lubed for life add suffix "N" as designation. The turning of the inner ring locks the shafting in place and a setscrew is tightened to keep it from slipping. To order this same bearing with a cylindrical O.D use the designation **CSA**.

**With setscrews, narrow inner ring  
SB2**

This is a deep grooved ball bearing insert with spherical O.D. comes from the factory pre-lubricated with lithium based grease. This bearing can be ordered in either re-lube style or sealed for life. The re-lube style has a grease groove and grease holes on the O.D. while the lubed for life does not. The SB series has the same load ratings as a UC bearing but has a narrow inner ring, and uses a one piece seal and slinger design rather than a separate seal and slinger. This insert affixes to the shafting using two setscrews at 120 degrees apart. To order this same bearing with a cylindrical O.D. use the designation **CSB**.

**Flush back on two sides  
UD2**

The UD series is a non-extending inner ring insert with a spherical outer-diameter which allows it to be mounted in a traditional housing. The bore tolerance is more precise than typical mounted bearings so press-fit shaft mounting can be accomplished.

**With adapter sleeves, wider inner ring and tapered bore  
UK2 (UK3)**

This deep grooved ball bearing insert with rubber seal and metal slinger comes pre-lubricated with lithium based grease. The UK series incorporates a tapered inner ring and uses corresponding adapters to determine the bore size and affix it to the shaft. The UK series is perfect for applications where shock load can damage other locking devices. The tapered bore with adapter provides true 360 degree shaft contact that runs the entire length of the inner ring. The spherical O.D. has a grease groove and grease holes for relubrication. The insert and adapter come as two separate items and must be ordered separately.

**With setscrews, cylindrical O.D., wider inner ring, locating snap ring and snap ring groove  
SER2**

This deep groove ball bearing insert with a rubber seal and metal slinger come pre-lubricated with lithium base grease. The SER series has a cylindrical O.D. with grease groove and grease holes outer ring for re-lubrication. The SER series uses two setscrews at 120 degrees apart to affix it to the shafting. The SER bearings have a snap ring on the outer ring to help make locating the bearing a simple task during installation.



## Corrosion Resistant Bearing Inserts

SUC200 & SUC200 L3 (Standard Duty) .....	B131
SUE200 (Standard Duty) .....	B132
SUER200 (Standard Duty) .....	B133
SSB200 (Light Duty) .....	B134
SSA200 (Light Duty) .....	B135
SNA200 & SNA200 L3 (Standard Duty) .....	B136
SUK200 (Standard Duty) .....	B137
SSER200 (Standard Duty) .....	B138



SUC



SUCX



SUE



SUER



SSB



SSA



SNA



SUK



SSER



BUC  
BLACK OXIDE

### With setscrews, wider inner ring SUC,SUC L3...Stainless steel series

SUC series has the same design and dimensions as a standard UC insert but is constructed of 440C equivalent grade stainless steel for wash down and other corrosive environments. These inserts come with food grade grease as a standard, and mainly used in food, pharmaceutical, fertilizer and other demanding applications. The SUC insert can be ordered with a triple lip seal by using a suffix L3 as designation.

### With concentric locking collar, wider inner ring SUE...Stainless steel series

SUE series has the same design and dimensions as a standard UE insert but is constructed of 440C equivalent grade stainless steel for wash down and other corrosive environments. These inserts come with food grade grease as a standard, and mainly used in food, pharmaceutical, fertilizer and other demanding applications.

### With concentric locking collar, cylindrical O.D., wider inner ring, locating snap ring and snap ring groove SUER...Stainless steel series

SUER series has the same design and dimensions as a standard UER insert but is constructed of 440C equivalent grade stainless steel for wash down and other corrosive environments. These inserts come with food grade grease as a standard, and mainly used in food, pharmaceutical, fertilizer and other demanding applications.

### With setscrews, narrow inner ring SSB...Stainless steel series

SSB series has the same design and dimensions as a standard SB insert but is constructed of 440C equivalent grade stainless steel for wash down and other corrosive environments. These inserts come with food grade grease as a standard, and mainly used in food, pharmaceutical, fertilizer and other demanding applications.

### With eccentric locking collar, narrow inner ring SSA...Stainless steel series

SSA series has the same design and dimensions as a standard SA insert but is constructed of 440C equivalent grade stainless steel for wash down and other corrosive environments. These inserts come with food grade grease as a standard, and mainly used in food, pharmaceutical, fertilizer and other demanding applications.

### With eccentric locking collar, wider inner ring SNA,SNA2..L3...Stainless steel series

SNA series has the same design and dimensions as a standard NA insert but is constructed of 440C equivalent grade stainless steel for wash down and other corrosive environments. These inserts come with food grade grease as a standard, and mainly used in food, pharmaceutical, fertilizer and other demanding applications. The SNA insert can be ordered with a triple lip seal by using a suffix L3 as designation.

### With adapter sleeves, wider inner ring and tapered bore SUK2...Stainless steel series

SUK series has the same design and dimensions as a standard UK insert but is constructed of 440C equivalent grade stainless steel for wash down and other corrosive environments. These inserts come with food grade grease as a standard, and mainly used in food, pharmaceutical, fertilizer and other demanding applications.

### With setscrews, cylindrical O.D., wider inner ring, locating snap ring and snap ring groove SSER2...Stainless steel series

SSER series has the same design and dimensions as a standard SER insert but is constructed of 440C equivalent grade stainless steel for wash down and other corrosive environments. These inserts come with food grade grease as a standard, and mainly used in food, pharmaceutical, fertilizer and other demanding applications.

## Agricultural/Farm Implement Bearings

Round Bore and Square Bore .....	B139
Hex Bore .....	B140
Disk Harrow Units .....	B141



Round Bore



Square Bore



Hex Bore



Disk Harrow Units

**Round Bore & Square Bore** is designed for environments where severe contamination is present, such as agricultural tillage equipment. Specially designed triple lip seal provides effective protection against loss of lubricant and entrance of wet or abrasive contaminants. Available with lubrication-required and lubrication-free style.

**Hex Bore** is designed to be used for outer or inner ring rotation in low-speed, moderately-loaded applications, primarily in agricultural implements and conveyors. Tolerances of the hex bore are suitable for mounting on cold rolled hex shafting. Main advantage is ease of mounting. Except for axial positioning by adjacent parts, no collars, setscrews or other locking devices are required to lock the inner ring to the hex shaft.

**Disk Harrow Units** – This unit incorporates a triple lips sealed bearing mounted in two stampings. Available in two basic size groups, one incorporating a 209 and the other a 211 bearing. Both size groups offer these features:

- Dynamic alignment capability ( $\pm 3^\circ$ ).
- Shroud effect from close clearance of stamping to inner ring.
- Relubrication.
- One unit piece for ease of handling and assembly.
- Fitting flange mates with outer ring milled recess, preventing possibility of outerring circumferential movement.



H  
HE  
HA



AH  
AHX



N  
AN  
KM



MB

## Adapter Sleeves

H200 & H300 & H2300 Series .....	B142
H3000 & H3100 & H3200 Series .....	B143
AH/AHX200(300,2300,3000) Series .....	B144
AH/AHX2200(3100,3200),AN/KM Series .....	B145
MB & AL/MS & ALL/MS Series .....	B146

### H2,H3,H23,H32 Series

The H2,H3,H23 adapter series are for use in the tapered-bore UK series. Proper assembly of adapter sleeves can create excellent holding power on the shaft.

## Interchange

Housed Unit And Insert Bearing Interchange .....	B147-148
Inch/Metric Conversion Table .....	B149

# LDK<sup>®</sup> Air Handling Series

The LDK Air Handling Series is designed for a wide variety of highly demanding HVAC and air handling applications.

## 1) Applications

Exhaust Fans, Heating Fans, Blowers, Heating Equipment, Cooling Towers, Exhaust Ventilators etc.

## 2) Special features

- 100% noise tested to Electric Motor Quality (EMQ) standards.
- 100% testing of alignment torque.
- Bearings and housings are individually matched to achieve an air handling fit, a unique set of tolerance to ensure easy alignment and prevent bearing pre-load when mounting onto a light weight frames.
- Each bearing is manufactured with AISI 52100 bearing steel, G10 grade steel ball, low noise retainer and low noise grease.
- Smaller bore tolerance allows for a tighter fit with the shaft. This in turn, reduces vibration and noise and dramatically increases bearing life.
- Internal bearing clearance is defined as the allowable space between the rolling elements and raceways. LDK uses an appropriate clearance which reduces the noise and vibration in high speed applications.
- Non-Contact seal is available for the lighter torque.
- Nylon patched grub screw is proven to provide greater locking power between the bearing and the shaft.



## 3) Tolerance and Tolerance values of inner rings and Precision Grade (μm)

Nominal bearing bore dia d(mm)		Variation of tolerance of average bore dia. In plane Δdmp		Unequal bore dia. In plane Vdp	Radial runout of inner ring Kia
OVER	INC	UPPER	LOWER	MAX	MAX
10	18	13	0	6	8
18	30	13	0	6	10
30	50	13	0	8	10
50	80	15	0	10	13

## 4) Advantages and benefits

LDK Accu-Grip<sup>®</sup> bearing units are designed to produce 360 degrees of equalized locking contact. The shaft is centered concentrically in the bore of the bearing and always runs true. Shaft offset is eliminated and premature locking failure is minimized. Since locking design is a major factor in mounted bearing performance, Accu-Grip<sup>®</sup> stands out as a major advantage.

- ★ Quick assembly with minimum effort. Only one cap screw to tighten down, in one position!
- ★ Simplify equipment maintenance and lower replacement/maintenance time and cost.
- ★ Quiet running. Vibration and noise significantly reduced.
- ★ Increase manufacturing productivity. Reduce inventory and ordering complexity.

## 5) Available in any housing and 4 major locking style combination

- ※ Concentric collar locking UE200 AH, UER200 AH
- ※ Setscrew locking UC200 AH, SB200 AH
- ※ Eccentric collar locking NA200 AH, SA200 AH
- ※ Adapter sleeve locking UK200 AH



Designated with a suffix of "AH" on part numbers. For example, UEPE205-16 AH.

# LDK<sup>®</sup> Solid-Lube<sup>®</sup> Bearings

Solid-Lube<sup>®</sup> is an oil saturated, polymer material that virtually fills all of the free space in the bearing. The polymer material is molded into the bearing forming very narrow gaps around the rolling elements and raceways, enabling the bearing to rotate freely. The polymer material has a porous structure, with millions of micro-pores, that hold the lubricating oil retained by surface tension. In service, oil is released from the material into the narrow gaps between it and the bearing components, thus providing effective minimum quantity lubrication.

Solid Oil enables bearing lubrication with an even and consistent film of oil. An increase in operating temperature pushes oil toward the surface of the polymer material. This "flow" of oil within the polymer material occurs because the oil has a higher coefficient of thermal expansion than the polymer material and because the viscosity of the oil decreases with increasing temperature. During shutdown, any excess oil is reabsorbed back into the polymer material.



## Benefits of Solid-Lube<sup>®</sup>

LDK bearings with Solid-Lube<sup>®</sup> are designed for use in applications where high levels of moisture and incidental contact with water and other contaminants are real issues. These bearings are also an excellent choice for applications where relubrication is impractical or dangerous.

- **Operating life more than twice as long as conventional grease lubrication, in water or dust-contaminated environments.**
- **Grease-free property with no oil refilling reduce cost of ownership and environment impact.**
- **Resist washout**
- **Virtually eliminates oil leakage**
- **Protects against the ingress of the contaminants**

## Applications

- Steel mill equipment
- Paper mill equipment
- Food processing equipment
- Agriculture equipment
- Liquid crystal display and semiconductor manufacturing equipment
- Cleaning equipment
- Conveying equipment

Available in ball bearing, spherical roller bearing and tapered roller bearing types.

# LDK<sup>®</sup> ACCU-GRIP<sup>®</sup> insert ball bearings with concentric locking collar



**LDK' s Accu-Grip<sup>®</sup> for quieter, smoother, more efficient running bearings under higher radial loads and rotating speeds.**

### **Ture Shaft Centering**

The inner race closes down on the shaft from all sides creating a true shaft centering resulting in even and constant balance.

### **Concentric Locking**

Provides uniform grip of the inner race to the shaft at the leading edge of the locking collar, resulting in lower noise and vibration at higher speeds.

### **Quick and Easy Installation**

Installs in seconds –only one cap screw tighten down, in one position.

### **Shaft Protection**

The concentric locking force significantly reduces the chance of marring or damaging the shaft. Thus significantly reduce fretting corrosion on shaft. For stainless steel Accu-Grip<sup>®</sup> series, due to this feature, it will significantly reduce bacteria and thus it's a better choice for food processing industry which requires high hygeian requirement.

### **More Efficient Fan Balancing**

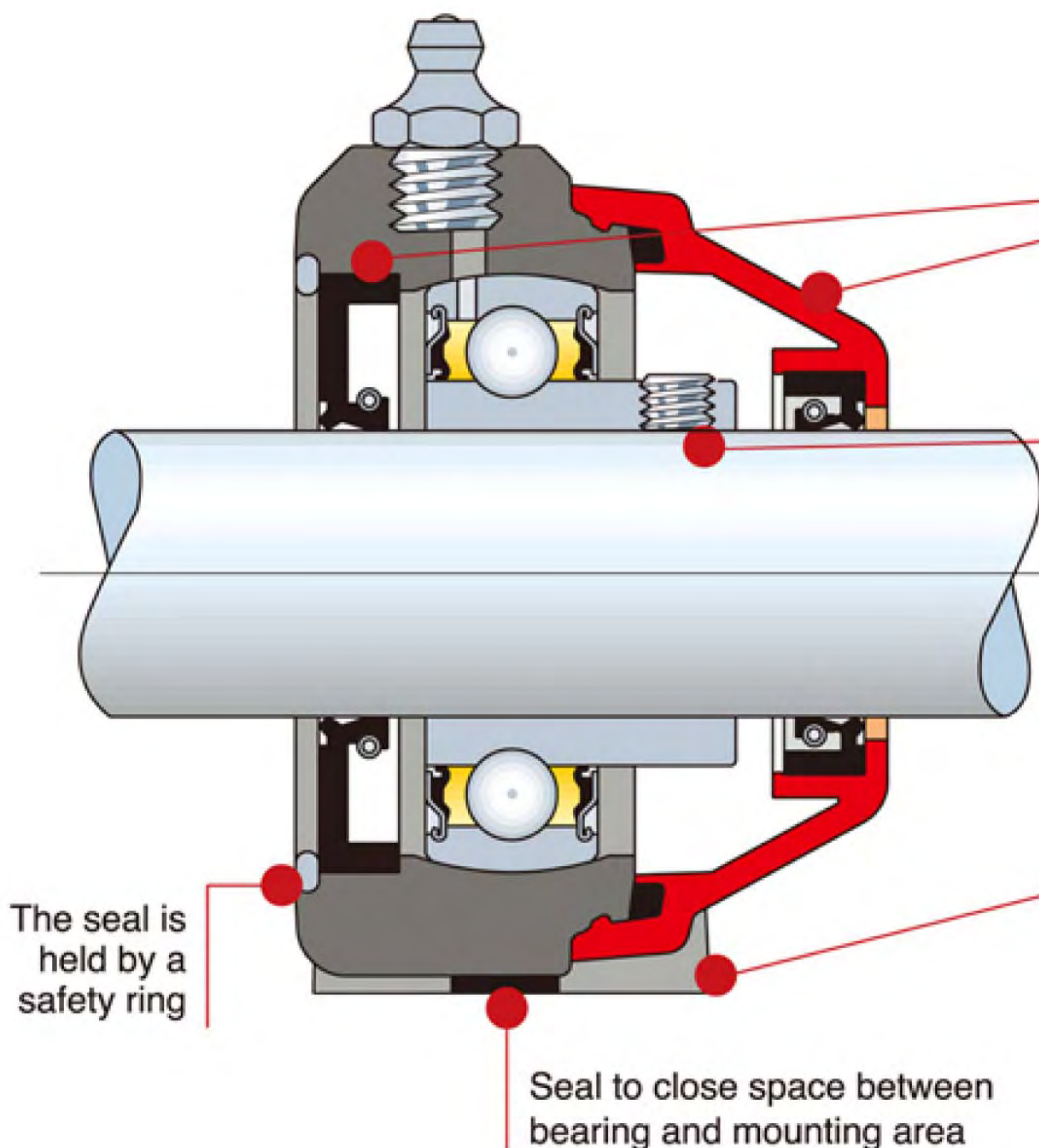
Because the Accu-Grip<sup>®</sup> ball bearing is totally concentric with the shaft, it will not induce vibration into the fan/blower system and will reduce the fan OEM's trim balancing time for high speed applications. No 1 choice for HVAC industry.

### **Reduced Shaft Costs**

The Accu-Grip<sup>®</sup> ball bearing only requires commercial grade shafting tolerances. This can save approximately 40% in shafting costs versus turned, ground and polished shafting.

Available in metric & inch and could be used with any standard duty housing style (cast iron, stainless steel and thermoplastic). A drop in replacement for SealMaster– Skwezloc<sup>®</sup>.

# LDK<sup>®</sup> Thermoplastic Bearing Units Waterproof series



## Waterproof housing

The waterproof sealing system guarantees protection of the bearing from the external environment

## Special Characteristics

Corrosion resistance, Resistance to food & liquid contaminants, adapt to frequent washdowns and Low weight element helps to meet your particular engineering demands.

## Insert Bearings

To be assembled with chrome steel or stainless steel insert bearings to meet your particular budget and performance needs.

The seal is held by a safety ring

Seal to close space between bearing and mounting area

# LDK<sup>®</sup> Anti-Bacteria Protection Series



- a. Setscrew, Eccentric locking collar and Concentric locking collar shaft locking.
- b. Housing solid base design: ideal for sanification.
- c. Material:
  - c1. Housing in reinforced plastic polymer (PBT/PA/PP) with anti-bacterial protection additive which is effective against most of common bacterial that may grow in foodstuff like E-coli, Salmonella etc.
  - C2. Protection caps in reinforced PP polymer with anti-bacterial protection additive which is effective against most of common bacterial that may grow in foodstuff like E-coli, Salmonella etc.
  - C3. Seal and O ring in NBR rubber. On request supplied in Viton rubber. Viton material offers high resistance to chemical agents.
  - C4. Grease nipple in stainless steel AISI 304.
  - C5. Seamless bushing on mounting holes in stainless steel AISI 304.
  - C6. Ordering example:
    - Anti-bacteria protection plastic housings with stainless steel insert bearings: ABTP-SUCP205
    - Anti-bacteria protection plastic housings with chrome steel insert bearings: ABWP-SBP205

## STANDARD THERMOPLASTIC MOUNTED UNITS WITH ANTI-BACTERIA PROTECTION

Housing No	Unit No.			
	W / SS insert set screw type		W / SS insert eccentric locking type	
ABTP-P204 ~ 212	ABTP-SUCP204 ~ 212	ABTP-SSBP204 ~ 212	ABTP-SSAP204 ~ 212	ABTP-SNAP204 ~ 212
ABTP-F204 ~ 212	ABTP-SUCF204 ~ 212	ABTP-SSBF204 ~ 212	ABTP-SSAF204 ~ 212	ABTP-SNAF204 ~ 212
ABTP-FL204 ~ 212	ABTP-SUCFL204 ~ 212	ABTP-SSBFL204 ~ 212	ABTP-SSAFL204 ~ 212	ABTP-SNAFL204 ~ 212
ABTP-PA204 ~ 210	ABTP-SUCPA204 ~ 210	ABTP-SSBPA204 ~ 210	ABTP-SSAPA204 ~ 210	ABTP-SNAPA204 ~ 210
ABTP-T204 ~ 210	ABTP-SUCT204 ~ 210	ABTP-SSBT204 ~ 210	ABTP-SSAT204 ~ 210	ABTP-SNAT204 ~ 210
ABTP-FB204 ~ 210	ABTP-SUCFB204 ~ 210	ABTP-SSFB204 ~ 210	ABTP-SSAFB204 ~ 210	ABTP-SNAFB204 ~ 210

**Stainless steel insert with concentric locking collar(SUE) are also available upon request. Ordering example: ABTP-SUEP204.**

## WATER PROOF MOUNTED UNITS WITH ANTI-BACTERIA PROTECTION

Housing No	Unit No.
ABWP-P204 ~ 208	ABWP-SSBP204 ~ 208
ABWP-F204 ~ 208	ABWP-SSBF204 ~ 208
ABWP-FL204 ~ 208	ABWP-SSBFL204 ~ 208



# **LDK<sup>®</sup>** Surface treatment to bearings and housings

## **Surface treatment to insert ball bearings**

### **Zinc plated insert ball bearings**

52100 steel

4-6um thick

Prefix "Z" : Example ZUC205

### **Black Oxide insert ball bearings**

52100 steel ,

Prefix "B" : Example BUC205



### **Electroless Nickel plated bearing units**

Electroless Nickel plated over cast iron, ductile iron and stainless steel

Housings plated with 0.001" thick electroless, high phosphorous(+10%) nickel.

Suffix "NP" Example: P205-NP



# LDK<sup>®</sup> High/Low Temperature Bearing Units

For applications that require bearing units to be used at a higher or lower temperature range than our standard models, LDK offers several options. The standard operating temperature is  $-20^{\circ}\text{C}\sim+120^{\circ}\text{C}$ . LDK offers product and solutions for application with maximum high temperature to  $200^{\circ}\text{C}$  and low temperature to  $-40^{\circ}\text{C}$ . Main features are as follows.

## High/Low Temperature grease

- Soap/Fluoride based, maximum operating temperatures of the grease at  $200^{\circ}\text{C}$ .
- Synthetic polyurea grease, low operating temperatures of the grease at  $-40^{\circ}\text{C}$ .

## Internal Clearance

In the manufacturing of ball bearings, it's a standard practice for LDK assemble its rings and balls with a specified internal clearance. In the case of high-temperature inserts, internal clearance is even more important in compensating for thermal expansion of bearings, shafts, and housings. LDK uses an internal clearance standard of C4 on all of its high temp inserts. For low temperature inserts, C0 is recommended.

## Silicon Rubber Seals

Most standard units are supplied with a nitrile rubber seal. Nitrile rubber is an excellent seal at temperatures ranging from  $0-100^{\circ}\text{C}$ . Soon after that temperature, nitrile rubber starts to breakdown, leaving no sealing element to retain high temperature lubrication. Silicon seals have excellent high temperature stability, exceptional high temperature sticking, resistance to aging, ozone, sunlight and outstanding water repellence. The use of Silicone seals insures that the high temperature lube stays where it belongs, in the bearings! Upon request, fluorine rubber is also available for constant high temperature working environment.

## Special fit and alignment torque for high temp

Bearings and housings are individually matched to achieve an appropriate fit for high temp application. A unique set of tolerances ensure ease of alignment .



# LDK<sup>®</sup> Thermoplastic Housed Units

## General Information

LDK<sup>®</sup> Thermoplastic housings are specially designed to meet particular engineering demand for food, beverage, photo, and the chemical industries. The maintenance and the corrosion resistance characteristics as well as a low weight element has proven to stand the hard working conditions for all needed applications.

LDK<sup>®</sup> Thermoplastic housing can be delivered with Chrome steel bearing inserts black oxidized inserts or stainless steel inserts for maximum corrosion resistance.

LDK<sup>®</sup> Thermoplastic housing are designed to meet important engineering demand for:

- Frequent washdowns
- Corrosion resistance
- Exposure to harsh chemicals
- Exposure to high humidity
- Regreasable fittings
- Operating temperature  $-35^{\circ}\text{C}$  to  $102^{\circ}\text{C}$



LDK<sup>®</sup> thermoplastic housings can be delivered with food approved grease to any specification. Please contact your local distributor for your grease specification requirement.

Because of their corrosion-resistant and **non-magnetic** properties.

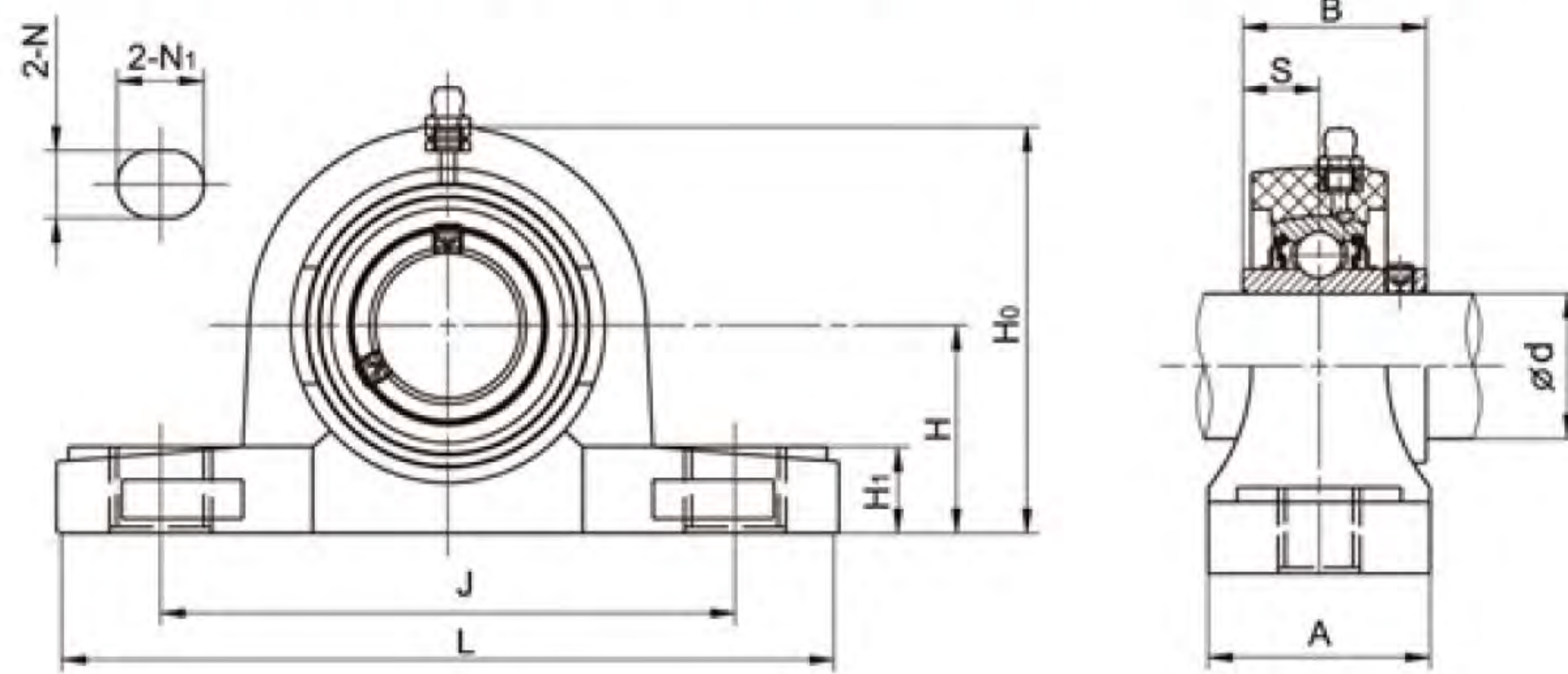
LDK<sup>®</sup> thermoplastic housings are used in a wide variety of industries:

- Food processing
- Canning
- Bottling
- Pharmacy industry
- Chemical processing
- Photo industry



# Thermoplastic Housed Units **LDK**<sup>®</sup>

**TP-SUCP** Thermoplastic pillow blocks, Solid base housing, Stainless steel inserts, With food grade grease and silicon rubber seal, Setscrew locking.



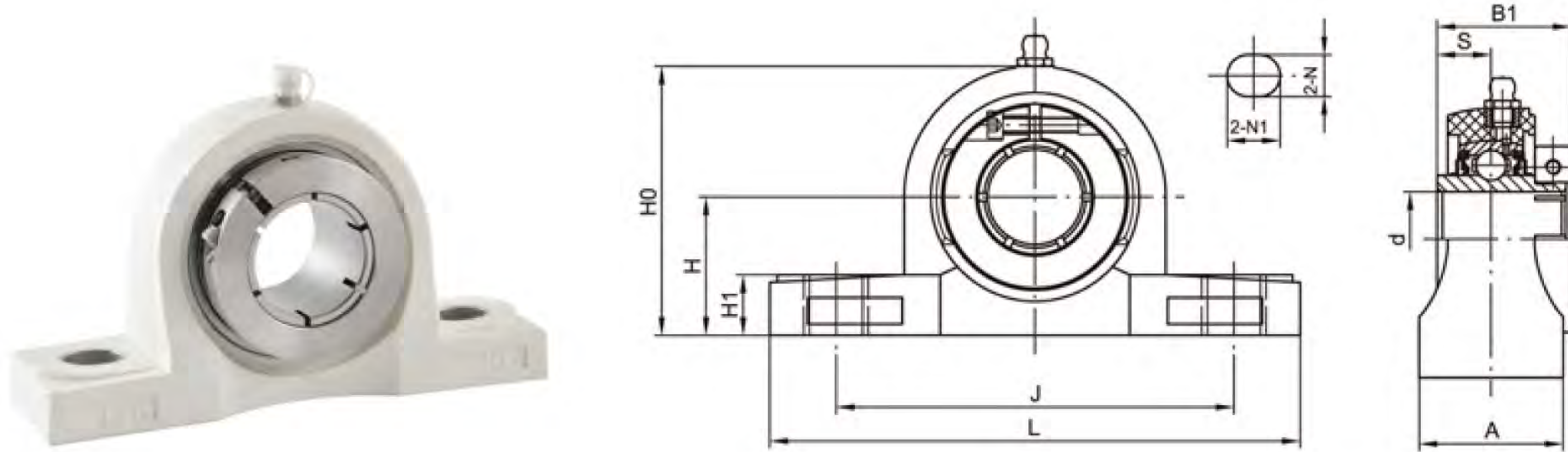
Unit No.	Shaft Dia		Dimensions(mm)										Bolt Size (mm)	Weight (kg)
	d		H	L	J	A	N	N <sub>1</sub>	H <sub>1</sub>	H <sub>0</sub>	B	S		
	(in)	(mm)												
TP-SUCP201 201-8	1/2	12	33.3	127	95	38	11	14	15	65.5	31	12.7	M10	0.29
TP-SUCP202 202-9 202-10	9/16 5/8	15	33.3	127	95	38	11	14	15	65.5	31	12.7	M10	0.29
TP-SUCP203 203-11	11/16	17	33.3	127	95	38	11	14	15	65.5	31	12.7	M10	0.29
TP-SUCP204 204-12	3/4	20	33.3	127	95	38	11	14	15	65.5	31	12.7	M10	0.29
TP-SUCP205 205-14 205-15 205-16	7/8 15/16 1	25	36.5	140	105	38	11	14	16	71	34.1	14.3	M10	0.32
TP-SUCP206 206-17 206-18 206-19 206-20	1-1/16 1-1/8 1-3/16 1-1/4	30	42.9	163	119	46	14	18	18	84	38.1	15.9	M12	0.58
TP-SUCP207 207-20 207-21 207-22 207-23	1-1/4 1-5/16 1-3/8 1-7/16	35	47.6	168	127	48	14	18	18	94.5	42.9	17.5	M12	0.76
TP-SUCP208 208-24 208-25	1-1/2 1-9/16	40	49.2	184	137	54	14	18	19.5	99	49.2	19	M12	0.97
TP-SUCP209 209-26 209-27 209-28	1-5/8 1-11/16 1-3/4	45	54	192	146	54	17	20	23	106	49.2	19	M16	1.08
TP-SUCP210 210-30 210-31 210-32	1-7/8 1-15/16 2	50	57.2	206	159	60	17	20	24	114	51.6	19	M16	1.24
TP-SUCP211 211-32 211-34 211-35	2 2-1/8 2-3/16	55	63.5	217	172	60	17	20	22	124	55.6	22.2	M16	1.6
TP-SUCP212 212-36 212-38 212-39	2-1/4 2-3/8 2-7/16	60	69.9	238	186	66	18	24	24	137	65.1	25.4	M16	2.4

MODE OF LOAD	BREAKING POINT OF HOUSINGS(N)									
	204	205	206	207	208	209	210	211	212	
	8800	13700	12650	12750	13100	13360	13850	14450	20130	
	7700	10000	10600	12750	11100	11400	11750	12450	13110	
	5000	5100	5750	7500	8500	8950	9550	10150	10700	

Notes: Anti-Bacteria Protection Series is available by adding prefix "AB" as designation. Ordering example: ABTP-SUCP204

# LDK<sup>®</sup> Thermoplastic Housed Units

TP-SUEP Thermoplastic pillow blocks, Solid base housing, Stainless steel inserts, With food grade grease and silicon rubber seal, Concentric locking



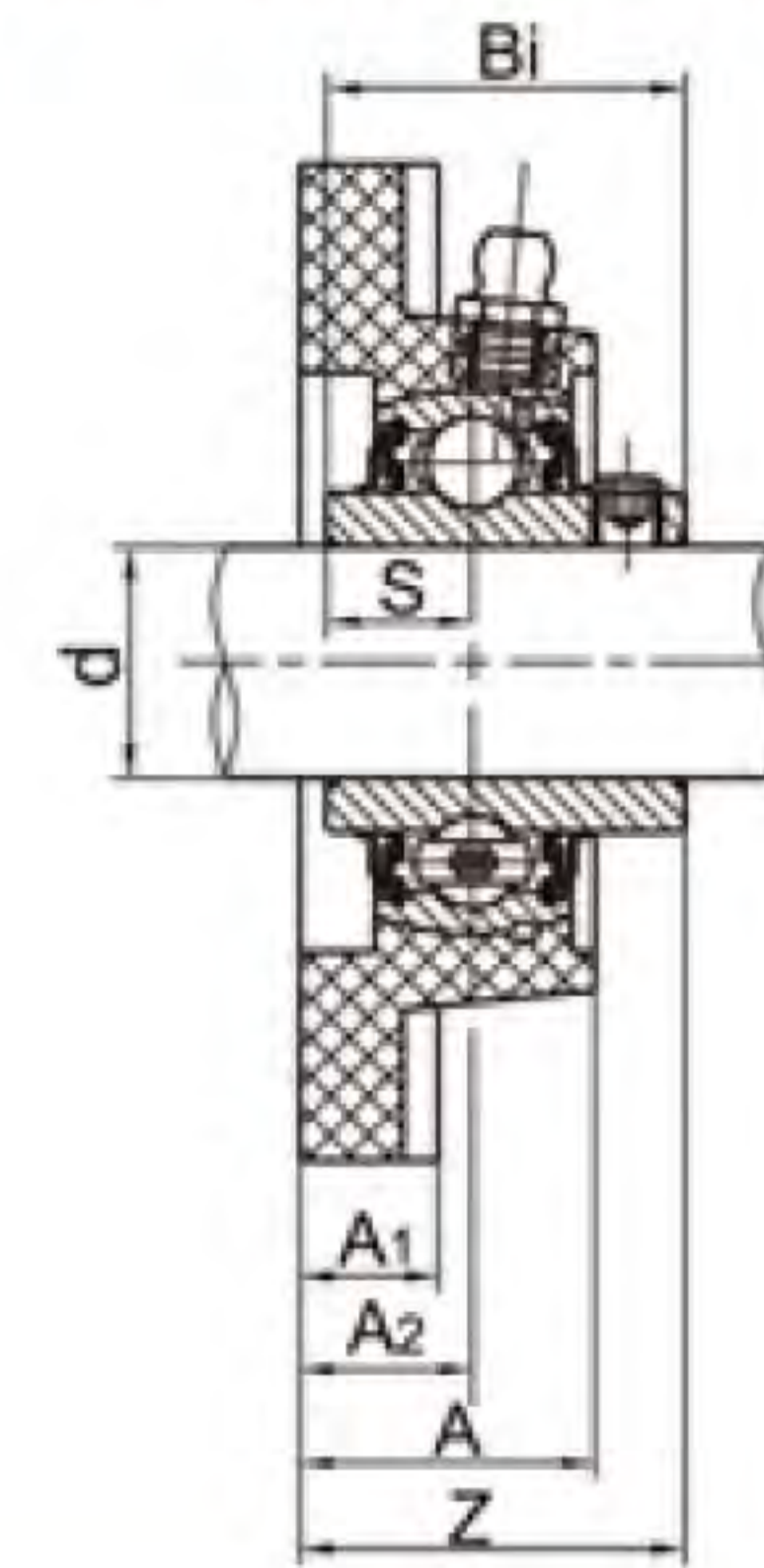
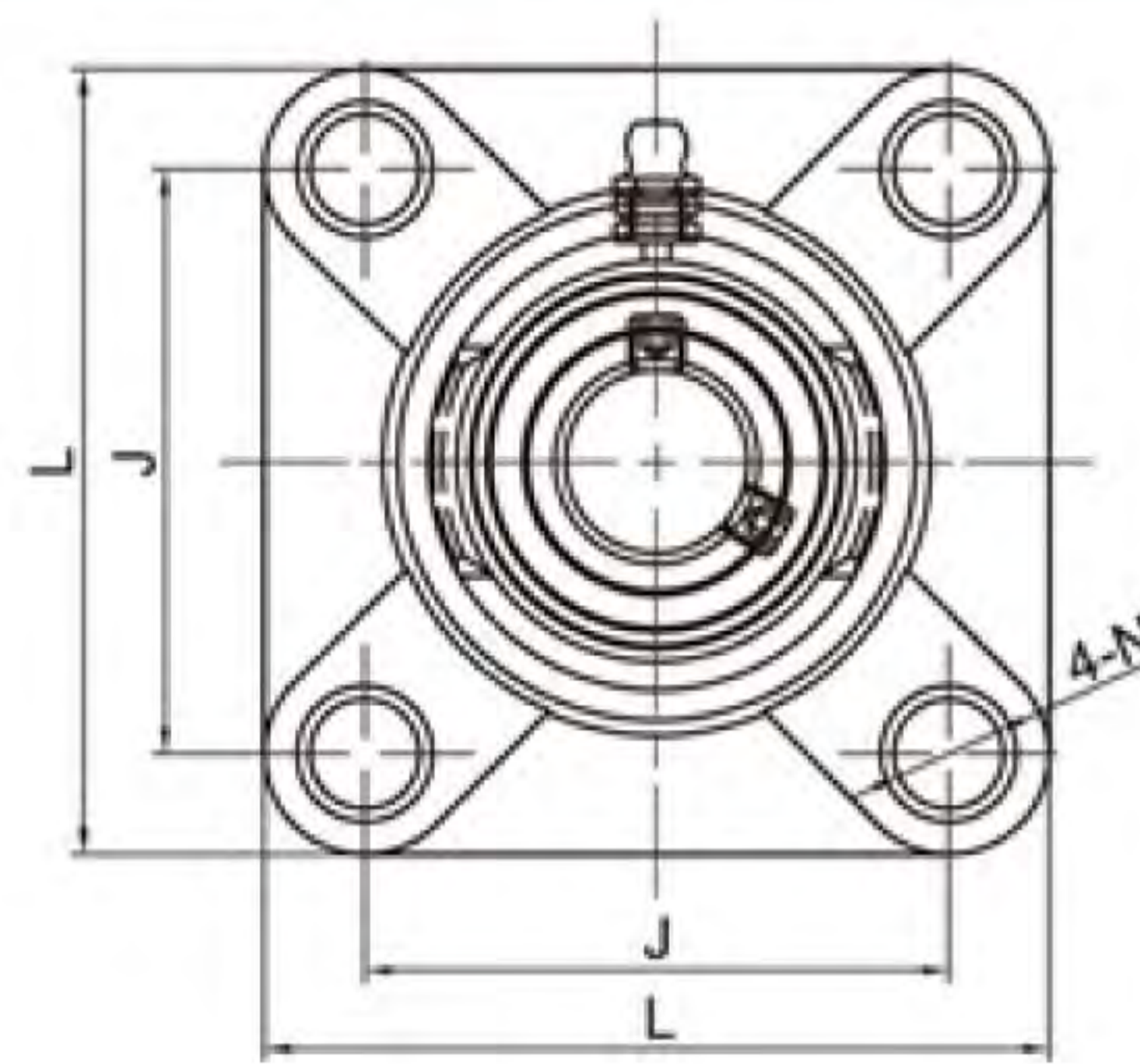
Unit No.	Shaft Dia		Dimensions(mm)										Bolt Size (mm)	Weight (kg)
	d		H	L	J	A	N	N <sub>1</sub>	H <sub>1</sub>	H <sub>0</sub>	B <sub>1</sub>	S		
	(in)	(mm)												
TP-SUEP204 204-12	3/4	20	33.3	127	95	38	11	14	15	65.5	33	12.7	M10	0.31
TP-SUEP205 205-14 205-15 205-16	7/8 15/16 1	25	36.5	140	105	38	11	14	16	71	35.4	14.3	M10	0.35
TP-SUEP206 206-17 206-18 206-19 206-20	1-1/16 1-1/8 1-3/16 1-1/4	30	42.9	163	119	46	14	18	18	84	39.8	15.9	M12	0.56
TP-SUEP207 207-20 207-21 207-22 207-23	1-1/4 1-5/16 1-3/8 1-7/16	35	47.6	168	127	48	14	18	18	94.5	43.9	17.5	M12	0.8
TP-SUEP208 208-24 208-25	1-1/2 1-9/16	40	49.2	184	137	54	14	18	19.5	99	50.2	19	M12	1.02
TP-SUEP209 209-26 209-27 209-28	1-5/8 1-11/16 1-3/4	45	54	192	146	54	17	20	23	106	50.2	19	M16	1.16
TP-SUEP210 210-30 210-31 210-32	1-7/8 1-15/16 2	50	57.2	206	159	60	17	20	24	114	52.6	19	M16	1.31
TP-SUEP211 211-32 211-34 211-35	2 2-1/8 2-3/16	55	63.5	217	172	60	17	20	22	124	56.6	22.2	M16	1.69
TP-SUEP212 212-36 212-38 212-39	2-1/4 2-3/8 2-7/16	60	69.9	238	186	66	18	24	24	137	66.6	25.4	M16	2.31

MODE OF LOAD	BREAKING POINT OF HOUSINGS(N)								
	204	205	206	207	208	209	210	211	212
	8800	13700	12650	12750	13100	13360	13850	14450	20130
	7700	10000	10600	12750	11100	11400	11750	12450	13110
	5000	5100	5750	7500	8500	8950	9550	10150	10700

Notes: Anti-Bacteria Protection Series is available by adding prefix "AB" as designation. Ordering example: ABTP-SUEP204

# Thermoplastic Housing Units **LDK**<sup>®</sup>

**TP-SUCF Thermoplastic flange 4-bolt, Solid base housing, Stainless steel inserts, With food grade grease and silicon rubber seal, Setscrew locking**



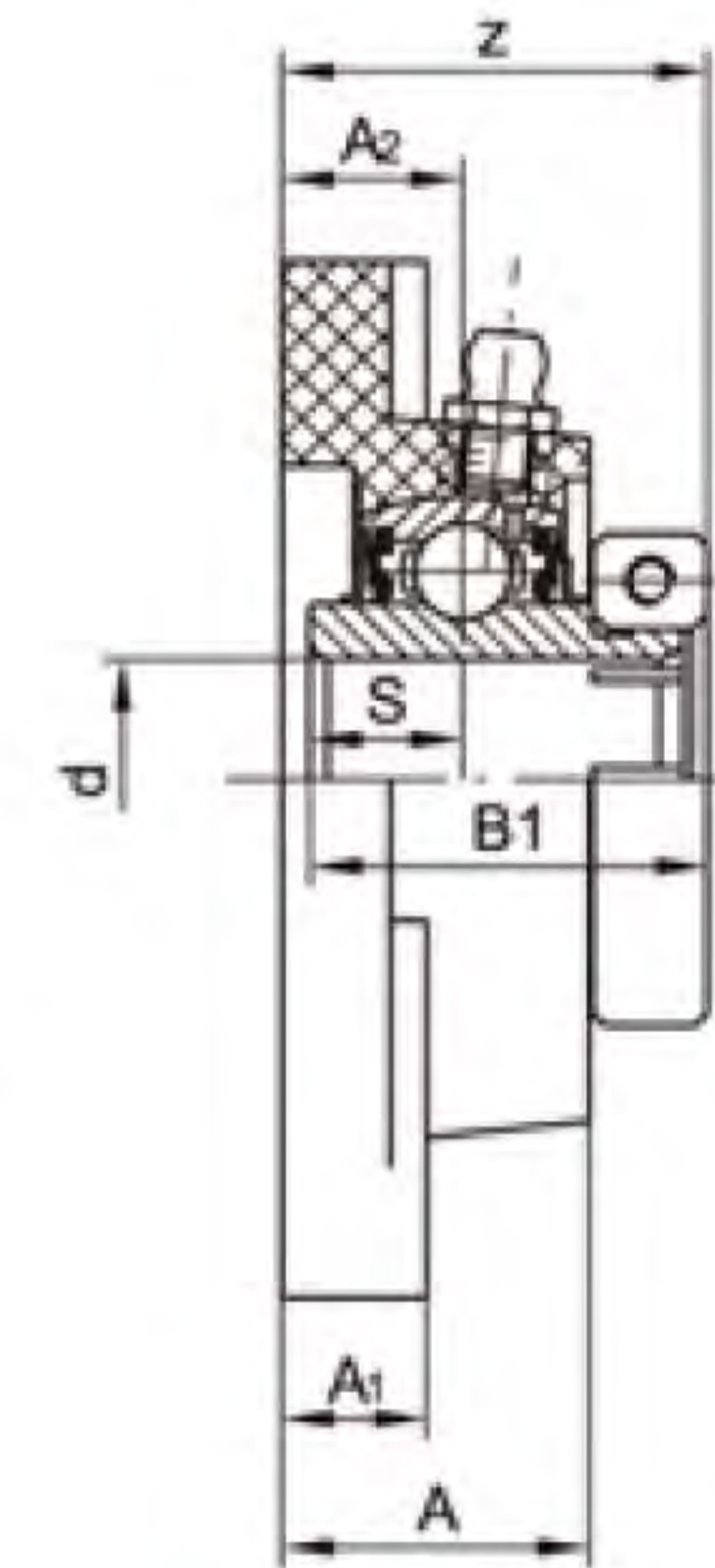
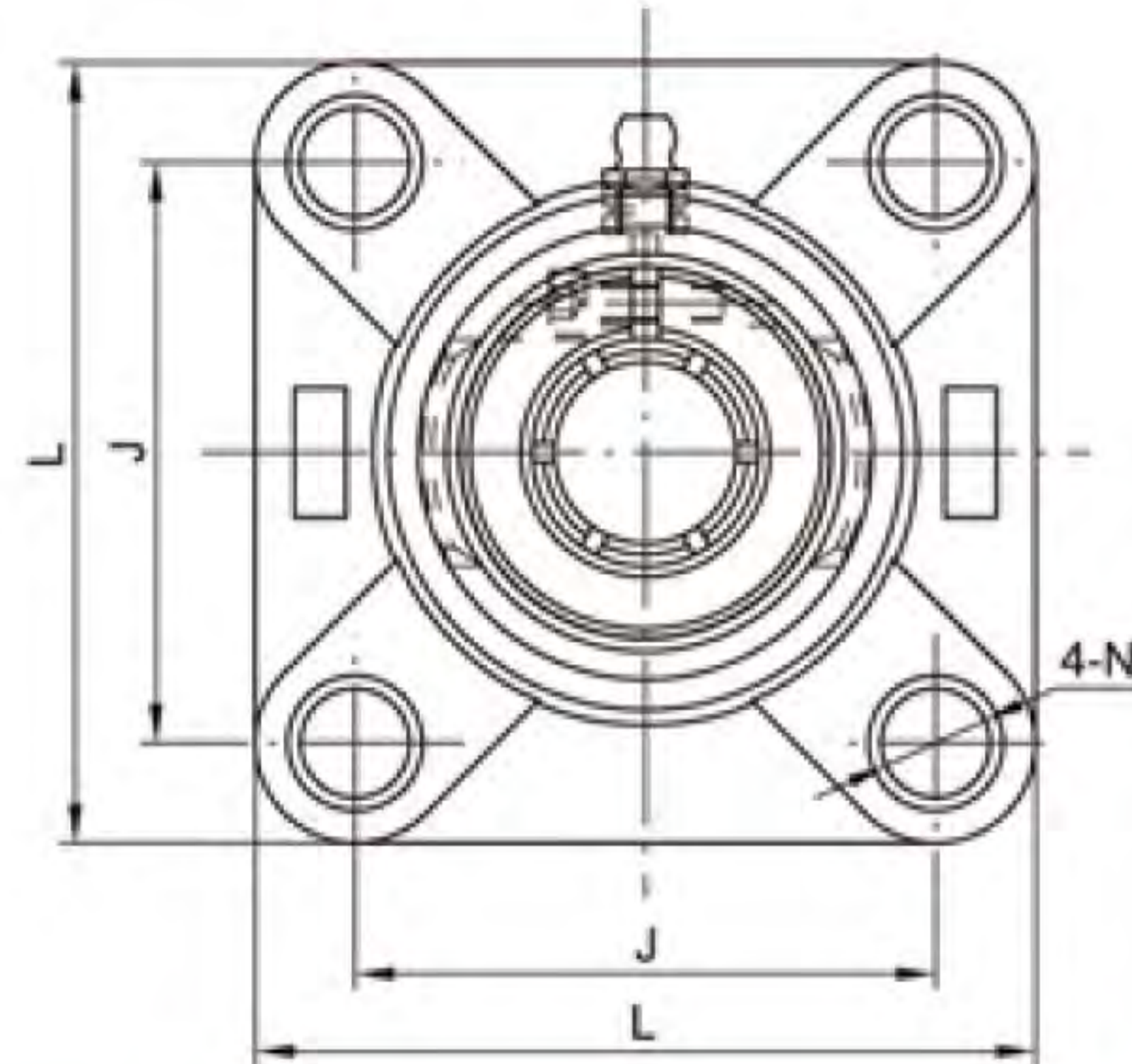
Unit No.	Shaft Dia		Dimensions(mm)									Bolt Size (mm)	Weight (kg)
	d		L	J	A <sub>2</sub>	A <sub>1</sub>	A	N	B	S	Z		
	(in)	(mm)											
TP-SUCF201 201-8	1/2	12	86	63.5	18	13.4	27.8	11	31	12.7	36.3	M10	0.29
TP-SUCF202 202-9 202-10	9/16 5/8	15	86	63.5	18	13.4	27.8	11	31	12.7	36.3	M10	0.29
TP-SUCF203 203-11	11/16	17	86	63.5	18	13.4	27.8	11	31	12.7	36.3	M10	0.29
TP-SUCF204 204-12	3/4	20	86	63.5	18	13.4	27.8	11	31	12.7	36.3	M10	0.29
TP-SUCF205 205-14 205-15 205-16	7/8 15/16 1	25	95	70	17	14	28	11	34.1	14.3	36.7	M10	0.32
TP-SUCF206 206-17 206-18 206-19 206-20	1-1/16 1-1/8 1-3/16 1-1/4	30	108	83	19.2	14.3	31.5	11	38.1	15.9	41.4	M10	0.54
TP-SUCF207 207-20 207-21 207-22 207-23	1-1/4 1-5/16 1-3/8 1-7/16	35	118	92	21.5	15.5	34.8	13	42.9	17.5	46.9	M12	0.75
TP-SUCF208 208-24 208-25	1-1/2 1-9/16	40	130	102	23	18	37.5	14	49.2	19	53.2	M12	0.99
TP-SUCF209 209-26 209-27 209-28	1-5/8 1-11/16 1-3/4	45	137	105	24	19	41	17	49.2	19	54.2	M16	1.12
TP-SUCF210 210-30 210-31 210-32	1-7/8 1-15/16 2	50	143	111	25	21	43	17	51.6	19	57.6	M16	1.24
TP-SUCF211 211-32 211-34 211-35	2 2-1/8 2-3/16	55	162	130	25	20	43	17	55.6	22.2	58.4	M16	1.58
TP-SUCF212 212-36 212-38 212-39	2-1/4 2-3/8 2-7/16	60	175	143	29	19	48	17	65.1	25.4	68.7	M16	2.1

MODE OF LOAD	BREAKING POINT OF HOUSINGS(N)								
	204	205	206	207	208	209	210	210	210
	15950	16000	18000	18500	19100	19350	19650	21550	22600
	10250	12150	17700	18500	19250	19350	19650	21500	21900
	4670	6590	7250	7910	8520	9010	9600	9700	9800

Notes: Anti-Bacteria Protection Series is available by adding prefix "AB" as designation. Ordering example: ABTP-SUCF204

# LDK<sup>®</sup> Thermoplastic Housed Units

TP-SUEF Thermoplastic flange 4-bolt, Solid base housing, Stainless steel inserts, With food grade grease and silicon rubber seal, Concentric locking



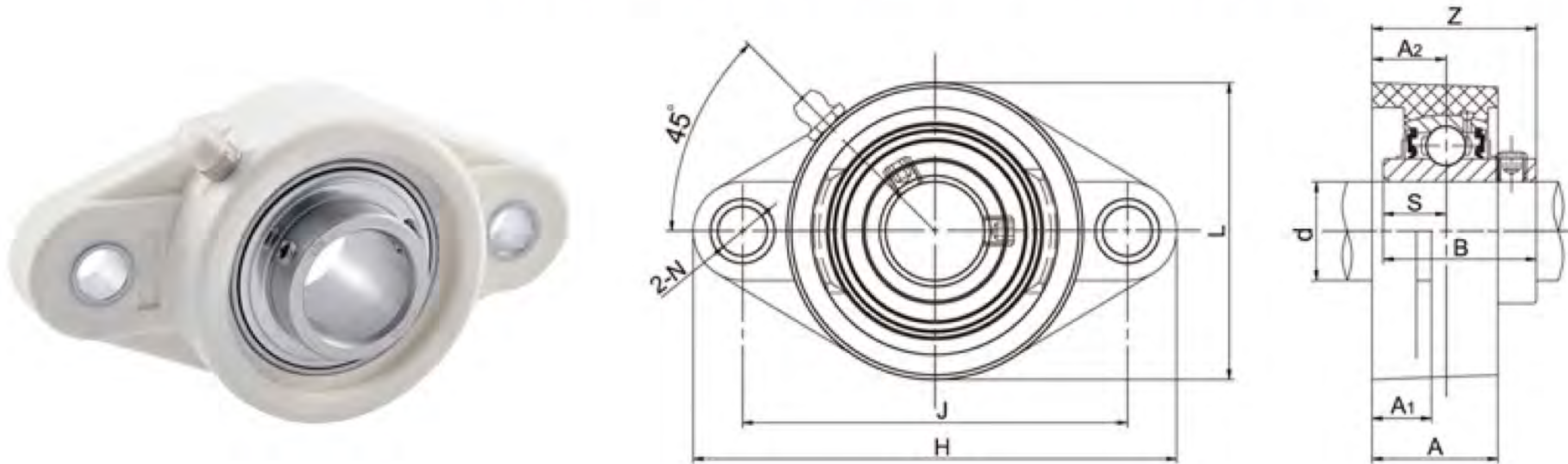
Unit No.	Shaft Dia		Dimensions(mm)									Bolt Size (mm)	Weight (kg)
	d		L	J	A <sub>2</sub>	A <sub>1</sub>	A	N	B <sub>1</sub>	S	Z		
	(in)	(mm)											
TP-SUEF204 204-12	3/4	20	86	63.5	18	13.4	27.8	11	33	12.7	32.3	M10	0.3
TP-SUEF205 205-14 205-15 205-16	7/8 15/16 1	25	95	70	17	14	28	11	35.4	14.3	38	M10	0.35
TP-SUEF206 206-17 206-18 206-19 206-20	1-1/16 1-1/8 1-3/16 1-1/4	30	108	83	19.2	14.3	31.5	11	39.8	15.9	43.1	M10	0.53
TP-SUEF207 207-20 207-21 207-22 207-23	1-1/4 1-5/16 1-3/8 1-7/16	35	118	92	21.5	15.5	34.8	13	43.9	17.5	47.9	M12	0.76
TP-SUEF208 208-24 208-25	1-1/2 1-9/16	40	130	102	23	18	37.5	14	50.2	19	54.2	M12	1.02
TP-SUEF209 209-26 209-27 209-28	1-5/8 1-11/16 1-3/4	45	137	105	24	19	41	17	50.2	19	55.2	M16	1.18
TP-SUEF210 210-30 210-31 210-32	1-7/8 1-15/16 2	50	143	111	25	21	43	17	52.6	19	58.6	M16	1.3
TP-SUEF211 211-32 211-34 211-35	2 2-1/8 2-3/16	55	162	130	25	20	43	17	56.6	22.2	59.4	M16	1.77
TP-SUEF212 212-36 212-38 212-39	2-1/4 2-3/8 2-7/16	60	175	143	29	19	48	17	66.6	25.4	70.2	M16	2.32

MODE OF LOAD	BREAKING POINT OF HOUSINGS(N)								
	204	205	206	207	208	209	210	210	210
	15950	16000	18000	18500	19100	19350	19650	21550	22600
	10250	12150	17700	18500	19250	19350	19650	21500	21900
	4670	6590	7250	7910	8520	9010	9600	9700	9800

Notes: Anti-Bacteria Protection Series is available by adding prefix "AB" as designation. Ordering example: ABTP-SUEF204

# Thermoplastic Housed Units **LDK**<sup>®</sup>

**TP-SUCFL** Thermoplastic flange 2-bolt, Solid base housing, Stainless steel inserts,  
With food grade grease and silicon rubber seal, Setscrew locking



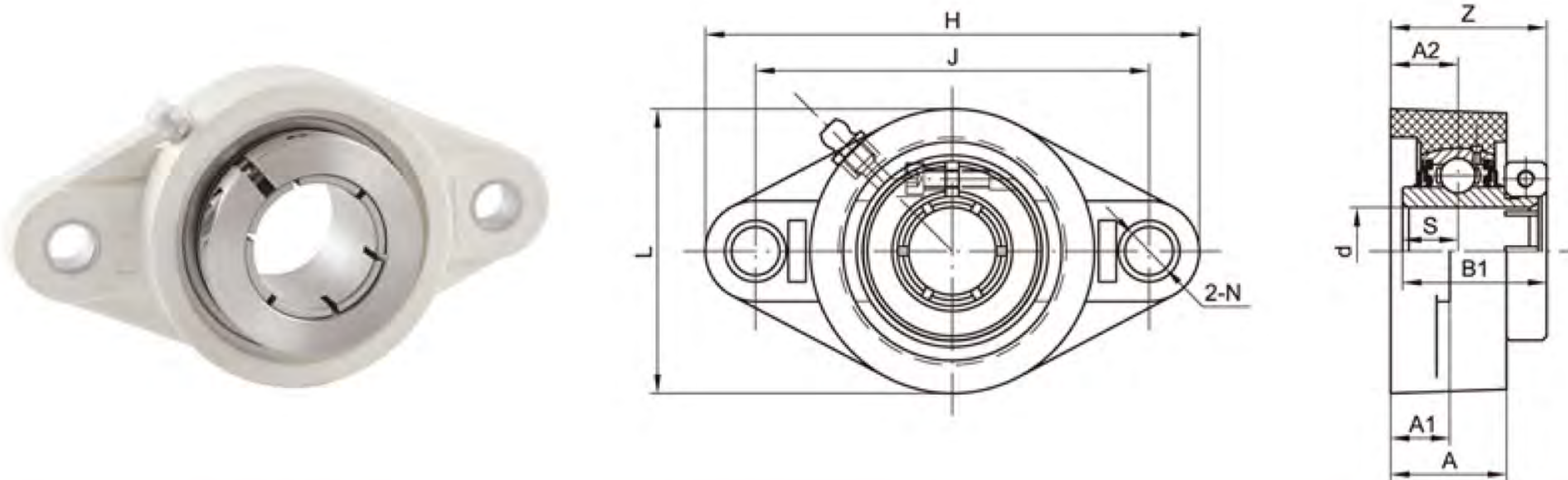
Unit No.	Shaft Dia		Dimensions(mm)										Bolt Size (mm)	Weight (kg)
	d		H	J	A <sub>2</sub>	A <sub>1</sub>	A	N	L	B	S	Z		
	(in)	(mm)												
TP-SUCFL201 201-8	1/2	12	113	90	15.4	14	26.5	11	65	31	12.7	33.7	M10	0.25
TP-SUCFL202 202-9 202-10	9/16 5/8	15	113	90	15.4	14	26.5	11	65	31	12.7	33.7	M10	0.25
TP-SUCFL203 203-11	11/16	17	113	90	15.4	14	26.5	11	65	31	12.7	33.7	M10	0.25
TP-SUCFL204 204-12	3/4	20	113	90	15.4	14	26.5	11	65	31	12.7	33.7	M10	0.25
TP-SUCFL205 205-14 205-15 205-16	7/8 15/16 1	25	131	99	17	14	29	11	69	34.1	14.3	36.7	M10	0.32
TP-SUCFL206 206-17 206-18 206-19 206-20	1-1/16 1-1/8 1-3/16 1-1/4	30	148	117	19	14	31	11	80	38.1	15.9	41.2	M10	0.5
TP-SUCFL207 207-20 207-21 207-22 207-23	1-1/4 1-5/16 1-3/8 1-7/16	35	166	130	18	16	32	13	92	42.9	17.5	43.4	M12	0.7
TP-SUCFL208 208-24 208-25	1-1/2 1-9/16	40	176	144	21.5	20	37.5	14	101	49.2	19	51.7	M12	0.89
TP-SUCFL209 209-26 209-27 209-28	1-5/8 1-11/16 1-3/4	45	189	148.5	24	21	41	17	108	49.2	19	54.2	M16	1.01
TP-SUCFL210 210-30 210-31 210-32	1-7/8 1-15/16 2	50	197	157	25	21	43	17	116	51.6	19	57.6	M16	1.13
TP-SUCFL211 211-32 211-34 211-35	2 2-1/8 2-3/16	55	224	184	25	20	43	17	130	55.6	22.2	58.1	M16	1.5
TP-SUCFL212 212-36 212-38 212-39	2-1/4 2-3/8 2-7/16	60	250	202	29	20	48	18	140	65.1	25.4	68.7	M16	2.1

MODE OF LOAD	BREAKING POINT OF HOUSINGS(N)								
	204	205	206	207	208	209	210	211	212
	10872	12554	18224	16900	17213	17600	17950	18300	18700
	10590	15093	16826	14900	15150	15350	15650	15900	16250
	5150	5310	5630	6000	6510	6940	7590	8250	8950

Notes: Anti-Bacteria Protection Series is available by adding prefix "AB" as designation. Ordering example: ABTP-SUCFL204

# LDK<sup>®</sup> Thermoplastic Housed Units

TP-SUEFL Thermoplastic flange 2-bolt, Solid base housing, Stainless steel inserts, With food grade grease and silicon rubber seal, Concentric locking



Unit No.	Shaft Dia		Dimensions(mm)										Bolt Size (mm)	Weight (kg)
	d		H	J	A <sub>2</sub>	A <sub>1</sub>	A	N	L	B <sub>1</sub>	S	Z		
	(in)	(mm)												
TP-SUEFL204 204-12	3/4	20	113	90	15.4	14	26.5	11	65	33	12.7	35.7	M10	0.26
TP-SUEFL205 205-14 205-15 205-16	7/8 15/16 1	25	131	99	17	14	29	11	69	35.4	14.3	38.0	M10	0.32
TP-SUEFL206 206-17 206-18 206-19 206-20	1-1/16 1-1/8 1-3/16 1-1/4	30	148	117	19	14	31	11	80	39.8	15.9	42.9	M10	0.47
TP-SUEFL207 207-20 207-21 207-22 207-23	1-1/4 1-5/16 1-3/8 1-7/16	35	166	130	18	16	32	13	92	43.9	17.5	44.4	M12	0.73
TP-SUEFL208 208-24 208-25	1-1/2 1-9/16	40	176	144	21.5	20	37.5	14	101	50.2	19	52.7	M12	0.94
TP-SUEFL209 209-26 209-27 209-28	1-5/8 1-11/16 1-3/4	45	189	148.5	24	21	41	17	108	50.2	19	55.2	M16	1.11
TP-SUEFL210 210-30 210-31 210-32	1-7/8 1-15/16 2	50	197	157	25	21	43	17	116	52.6	19	58.6	M16	1.22
TP-SUEFL211 211-32 211-34 211-35	2 2-1/8 2-3/16	55	224	184	25	20	43	17	130	56.6	22.2	59.4	M16	1.61
TP-SUEFL212 212-36 212-38 212-39	2-1/4 2-3/8 2-7/16	60	250	202	29	20	48	18	140	66.6	25.4	70.2	M16	2.28

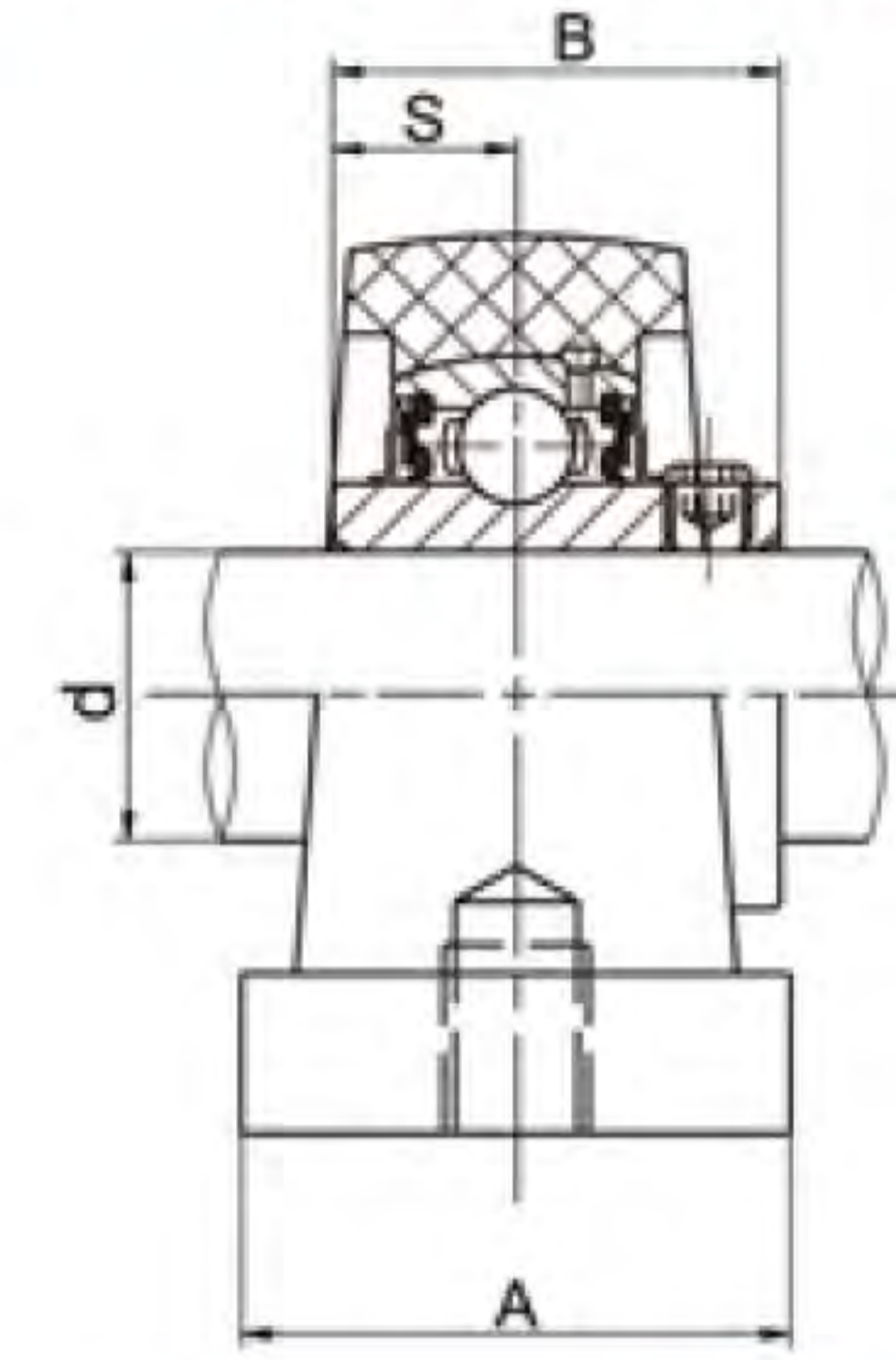
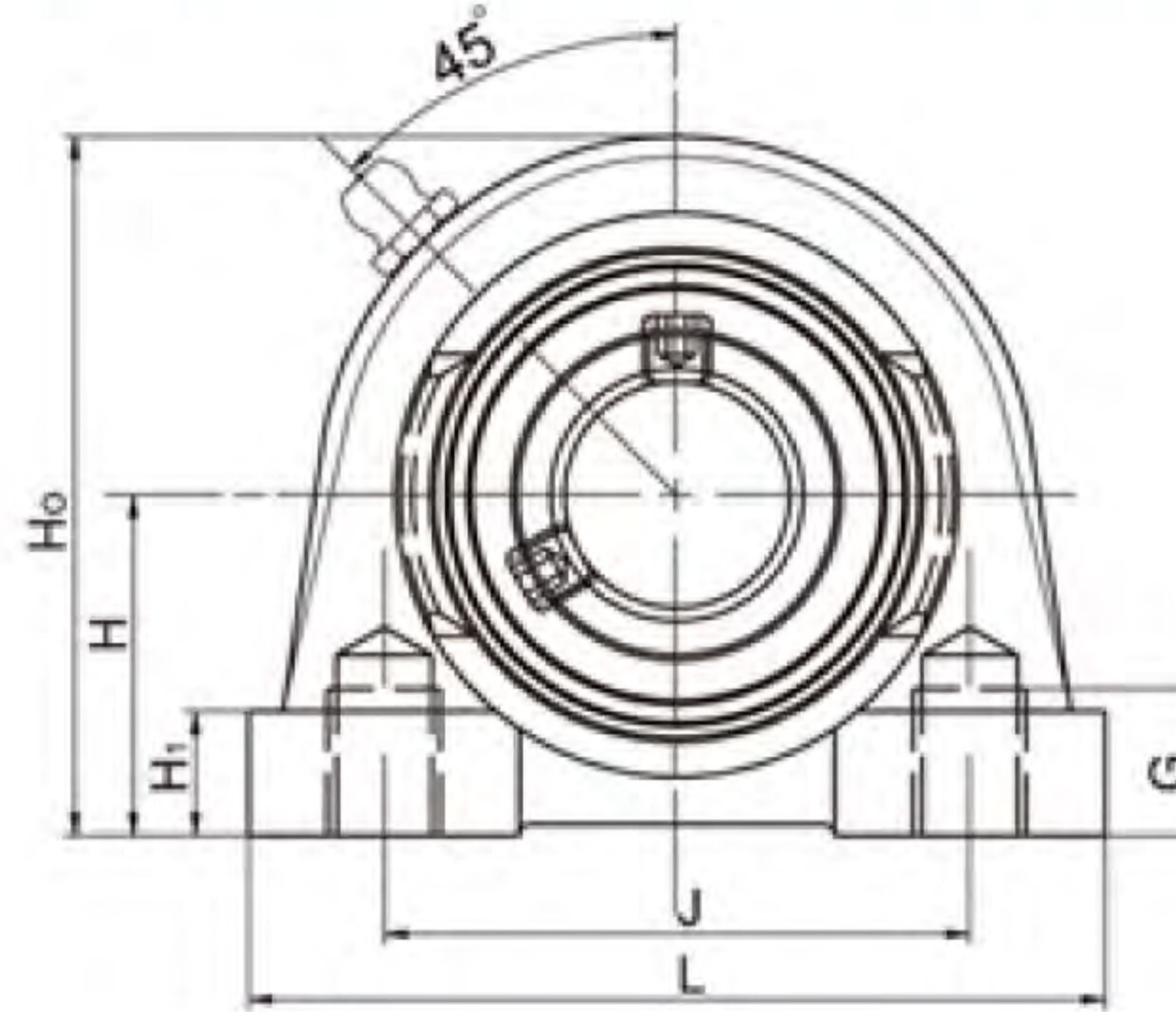
MODE OF LOAD	BREAKING POINT OF HOUSINGS(N)								
	204	205	206	207	208	209	210	211	212
	10872	12554	18224	16900	17213	17600	17950	18300	18700
	10590	15093	16826	14900	15150	15350	15650	15900	16250
	5150	5310	5630	6000	6510	6940	7590	8250	8950

Notes: Anti-Bacteria Protection Series is available by adding prefix "AB" as designation. Ordering example: ABTP-SUEFL204



# Thermoplastic Housed Units **LDK**<sup>®</sup>

**TP-SUCPA Thermoplastic pillow blocks, Tapped base, Stainless steel inserts, With food grade grease and silicon rubber seal, Setscrew locking**



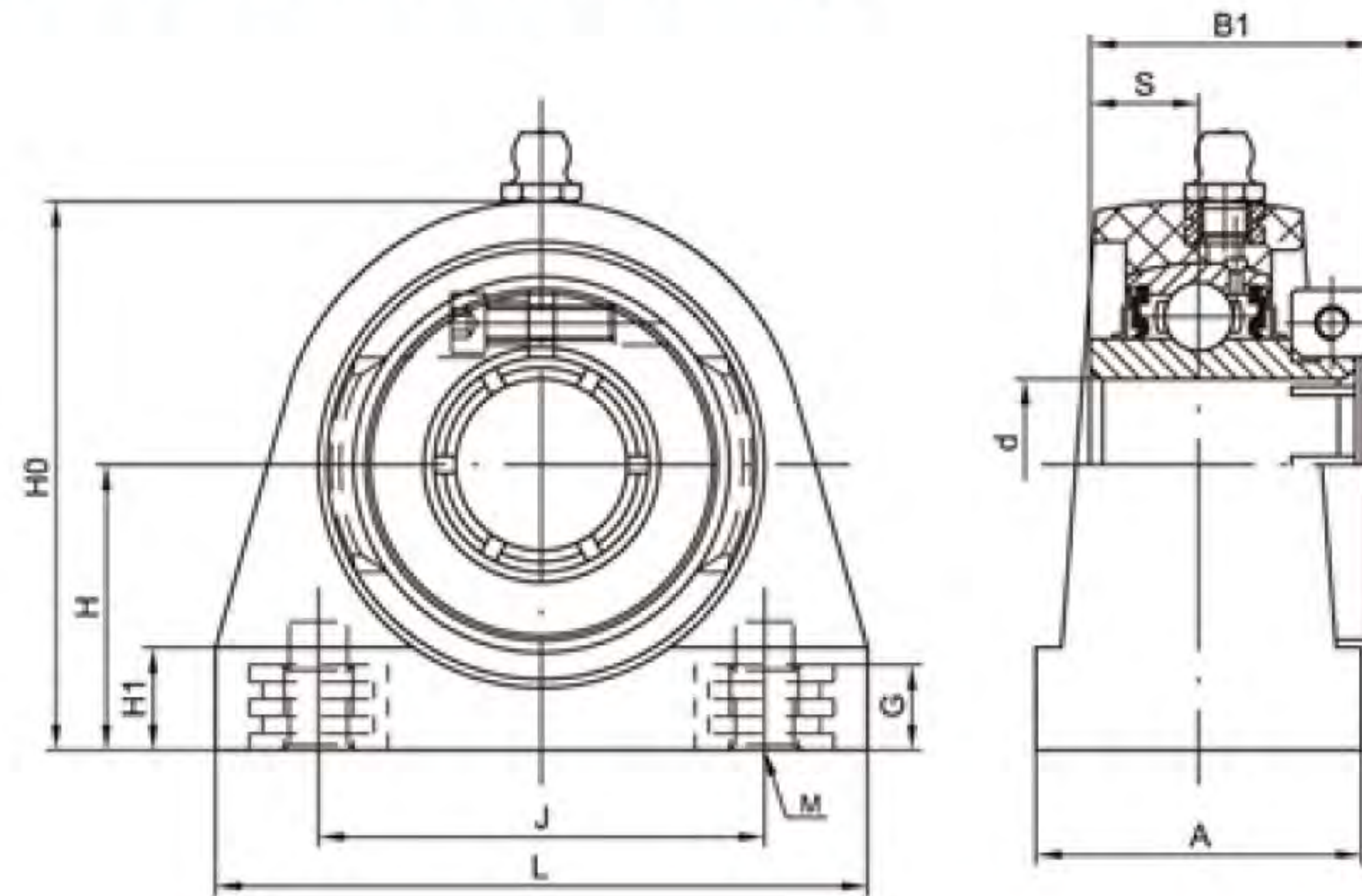
Unit No.	Shaft Dia		Dimensions(mm)									Bolt Size (mm)	Weight (kg)
	d		H	L	J	A	Ho	B	G	H <sub>1</sub>	S		
	(in)	(mm)											
TP-SUCPA201 201-8	1/2	12	33.3	76	52	38	64	31	10	13	12.7	M8	0.26
TP-SUCPA202 202-9 202-10	9/16 5/8	15	33.3	76	52	38	64	31	10	13	12.7	M8	0.26
TP-SUCPA203 203-11	11/16	17	33.3	76	52	38	64	31	10	13	12.7	M8	0.26
TP-SUCPA204 204-12	3/4	20	33.3	76	52	38	64	31	10	13	12.7	M8	0.26
TP-SUCPA205 205-14 205-15 205-16	7/8 15/16 1	25	36.5	84	56	38	72	34.1	12	14	14.3	M10	0.32
TP-SUCPA206 206-17 206-18 206-19 206-20	1-1/16 1-1/8 1-3/16 1-1/4	30	42.9	95	66	48	84	38.1	12	16	15.9	M10	0.53
TP-SUCPA207 207-20 207-21 207-22 207-23	1-1/4 1-5/16 1-3/8 1-7/16	35	47.6	110	80	48	95	42.9	12	18	17.5	M10	0.73
TP-SUCPA208 208-24 208-25	1-1/2 1-9/16	40	49.2	116	84	54	100	49.2	15	18	19	M12	0.93
TP-SUCPA209 209-26 209-27 209-28	1-5/8 1-11/16 1-3/4	45	54.2	120	90	54	108	49.2	15	20	19	M12	1.06
TP-SUCPA210 210-30 210-31 210-32	1-7/8 1-15/16 2	50	57.2	130	94	60	116	51.6	18	21	19	M16	1.25

MODE OF LOAD	BREAKING POINT OF HOUSINGS(N)						
	204	205	206	207	208	209	210
	8210	8540	10370	12150	12230	12900	13850
	6900	7010	6580	8080	9100	10400	11050
	2980	2850	4950	8160	9800	10710	11360

Notes: Anti-Bacteria Protection Series is available by adding prefix "AB" as designation. Ordering example: ABTP-SUCPA204

# LDK<sup>®</sup> Thermoplastic Housed Units

TP-SUEPA Thermoplastic pillow blocks, Tapped base, Stainless steel inserts,  
With food grade grease and silicon rubber seal, Concentric locking



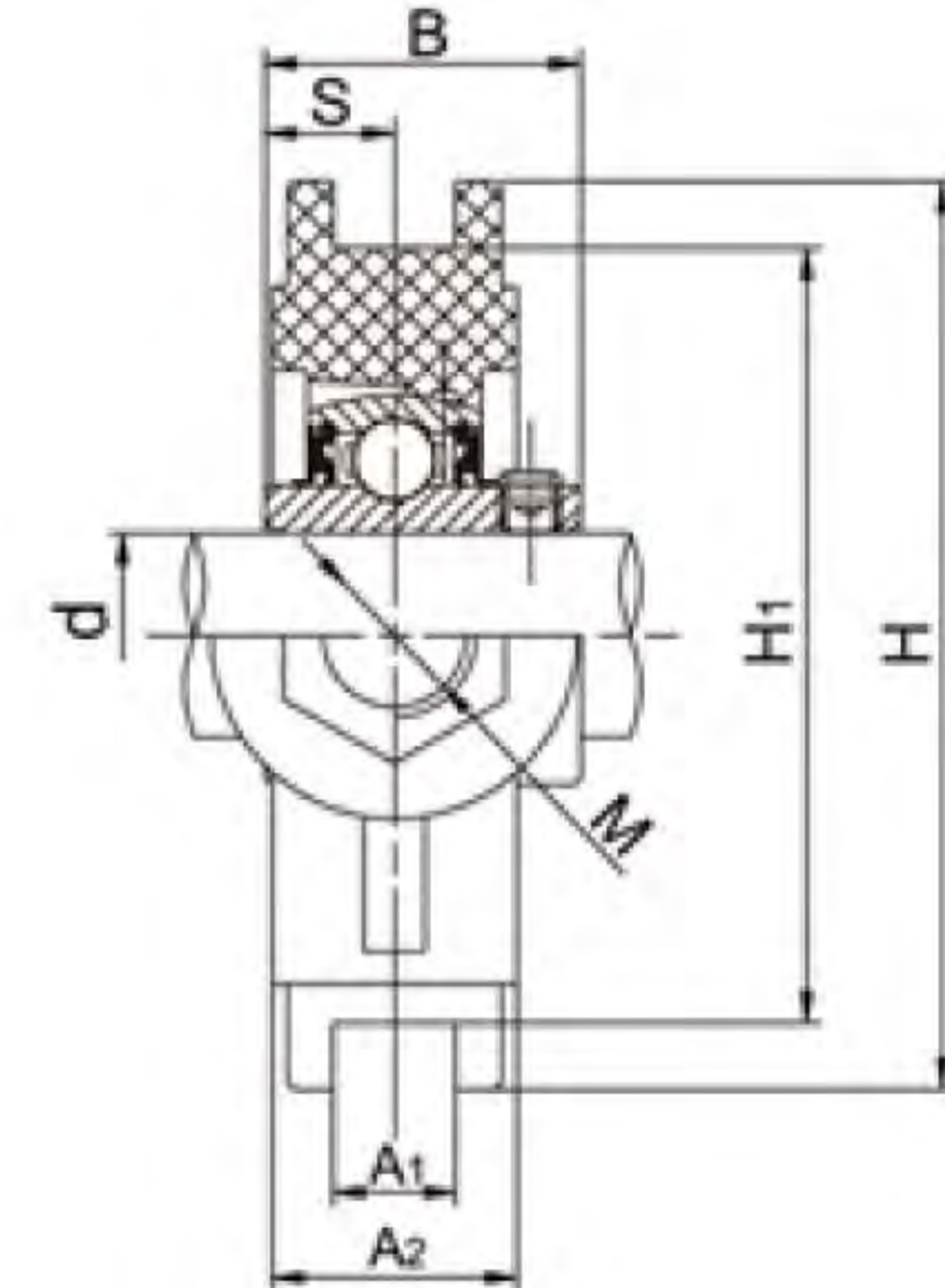
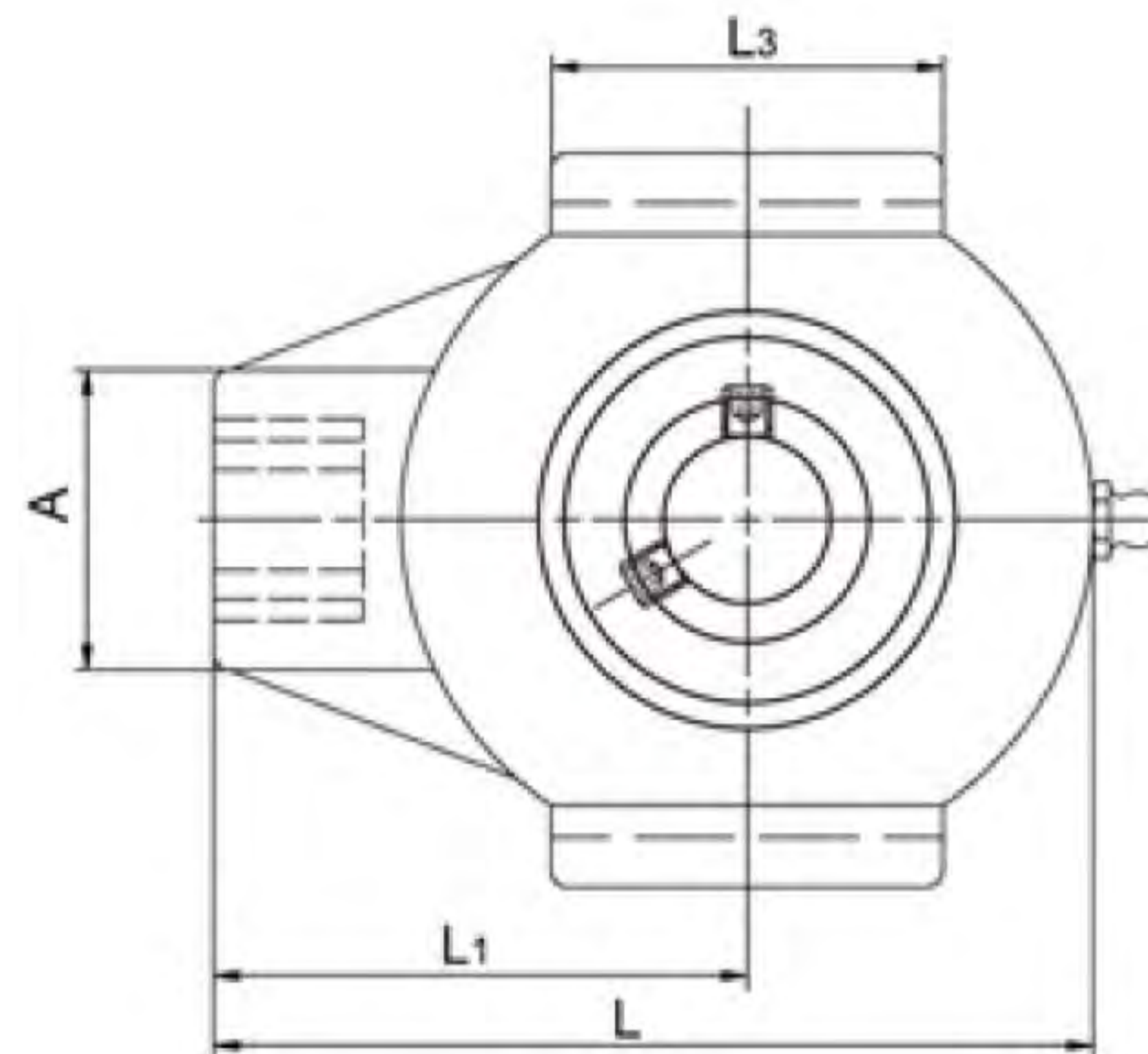
Unit No.	Shaft Dia		Dimensions(mm)										Weight (kg)
	d		H	L	J	A	H <sub>0</sub>	G	H <sub>1</sub>	B <sub>1</sub>	S	M	
	(in)	(mm)											
TP-SUEPA204 204-12	3/4	20	33.3	76	52	38	64	10	13	33	12.7	M8	0.29
TP-SUEPA205 205-14 205-15 205-16	7/8 15/16 1	25	36.5	84	56	38	72	12	14	35.4	14.3	M10	0.33
TP-SUEPA206 206-17 206-18 206-19 206-20	1-1/16 1-1/8 1-3/16 1-1/4	30	42.9	95	66	48	84	12	16	39.8	15.9	M10	0.52
TP-SUEPA207 207-20 207-21 207-22 207-23	1-1/4 1-5/16 1-3/8 1-7/16	35	47.6	110	80	48	95	12	18	43.9	17.5	M10	0.73
TP-SUEPA208 208-24 208-25	1-1/2 1-9/16	40	49.2	116	84	54	100	15	18	50.2	19	M12	0.93
TP-SUEPA209 209-26 209-27 209-28	1-5/8 1-11/16 1-3/4	45	54.2	120	90	54	108	15	20	50.2	19	M12	1.11
TP-SUEPA210 210-30 210-31 210-32	1-7/8 1-15/16 2	50	57.2	130	94	60	116	18	21	52.6	19	M16	1.28

MODE OF LOAD	BREAKING POINT OF HOUSINGS(N)						
	204	205	206	207	208	209	210
	8210	8540	10370	12150	12230	12900	13850
	6900	7010	6580	8080	9100	10400	11050
	2980	2850	4950	8160	9800	10710	11360

Notes: Anti-Bacteria Protection Series is available by adding prefix "AB" as designation. Ordering example: ABTP-SUEPA204

# Thermoplastic Housed Units **LDK**<sup>®</sup>

**TP-SUCT** Thermoplastic take up, Stainless steel inserts, With food grade grease and silicon rubber seal, Setscrew locking



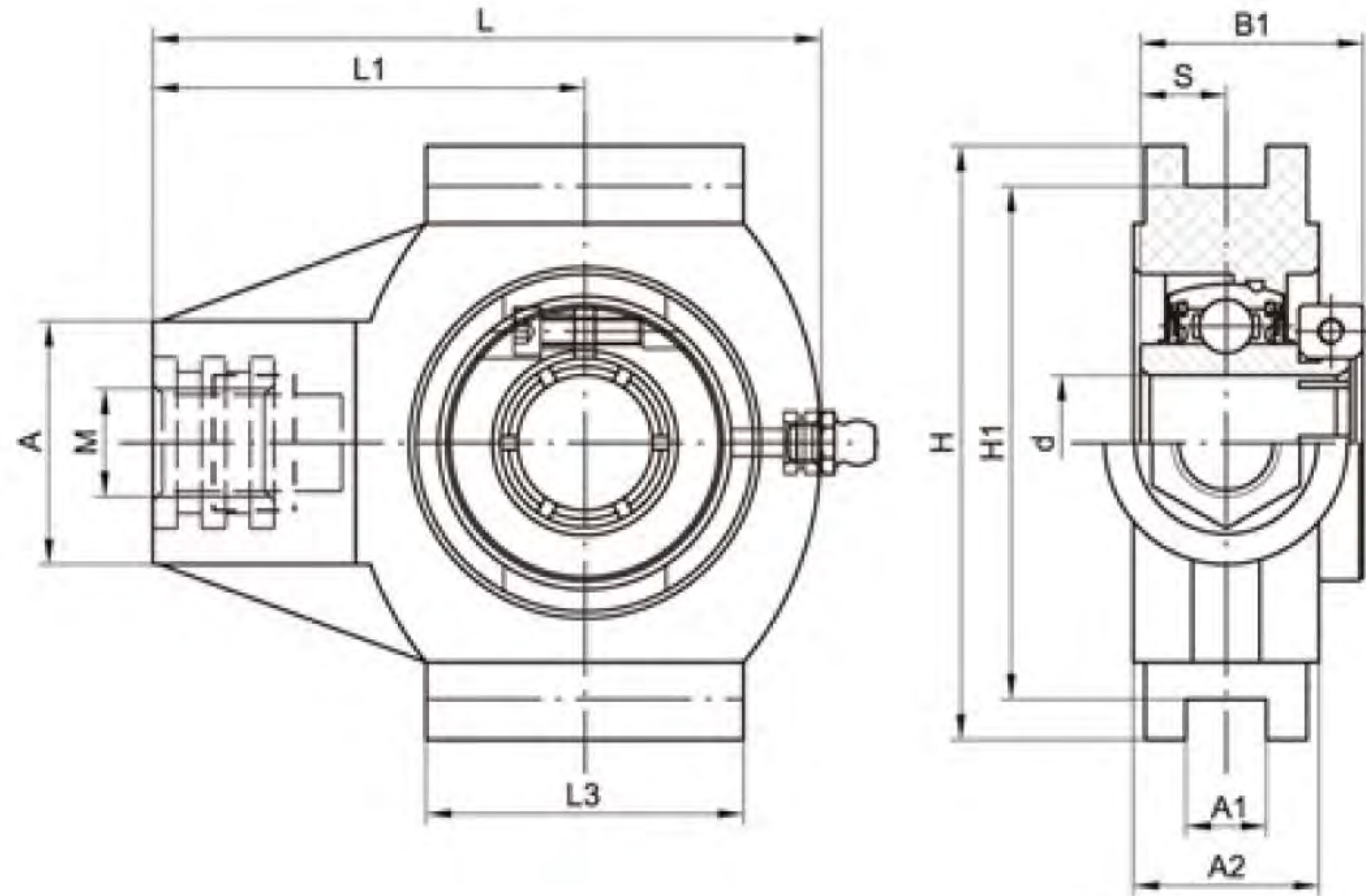
Unit No.	Shaft Dia		Dimensions(mm)											Weight (kg)
	d		L	A <sub>2</sub>	A <sub>1</sub>	L <sub>1</sub>	H	H <sub>1</sub>	M	A	L <sub>3</sub>	B	S	
	(in)	(mm)												
TP-SUCT201 201-8	1/2	12	99	27.5	12	64	88	76	M16	36	47	31	12.7	0.33
TP-SUCT202 202-9 202-10	9/16 5/8	15	99	27.5	12	64	88	76	M16	36	47	31	12.7	0.33
TP-SUCT203 203-11	11/16	17	99	27.5	12	64	88	76	M16	36	47	31	12.7	0.33
TP-SUCT204 204-12	3/4	20	99	27.5	12	64	88	76	M16	36	47	31	12.7	0.33
TP-SUCT205 205-14 205-15 205-16	7/8 15/16 1	25	99	27.5	12	64	88	76	M16	36	47	34.1	14.3	0.34
TP-SUCT206 206-17 206-18 206-19 206-20	1-1/16 1-1/8 1-3/16 1-1/4	30	125	34.5	12	76	102	89	M16	40	63	38.1	15.9	0.62
TP-SUCT207 207-20 207-21 207-22 207-23	1-1/4 1-5/16 1-3/8 1-7/16	35	125	34.5	12	76	102	89	M16	40	63	42.9	17.5	0.73
TP-SUCT208 208-24 208-25	1-1/2 1-9/16	40	140	34.5	16	85	114	102	M16	40	80	49.2	19	0.96
TP-SUCT209 209-26 209-27 209-28	1-5/8 1-11/16 1-3/4	45	149	40	16	90	116	102	M20	50	85	49.2	19	1.14
TP-SUCT210 210-30 210-31 210-32	1-7/8 1-15/16 2	50	149	40	16	90	116	102	M20	50	85	51.6	19	1.17

MODE OF LOAD	BREAKING POINT OF HOUSINGS(N)						
	204	205	206	207	208	209	210
	14800	15500	15800	16500	17300	18210	18860
	3930	4530	5100	6500	7800	8710	9750
	8500	10350	10900	11300	12150	12900	13550
	40770	45300	46100	44100	42800	44230	44880

Notes: Anti-Bacteria Protection Series is available by adding prefix "AB" as designation. Ordering example: ABTP-SUCT204

# LDK<sup>®</sup> Thermoplastic Housed Units

TP-SUET Thermoplastic take up, Stainless steel inserts, With food grade grease and silicon rubber seal, Concentric locking



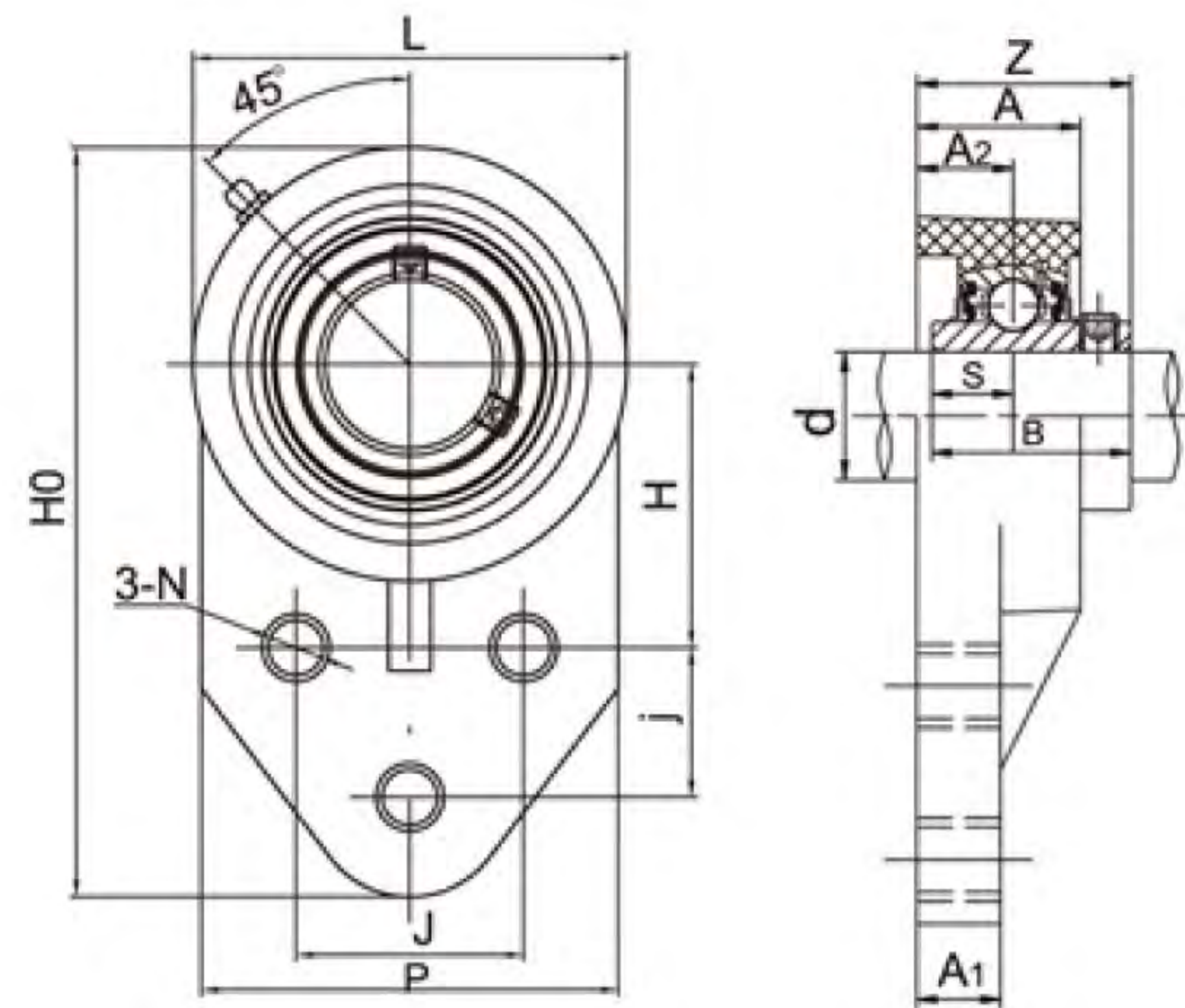
Unit No.	Shaft Dia		Dimensions(mm)											Weight (kg)
	d		L	A <sub>2</sub>	A <sub>1</sub>	L <sub>1</sub>	H	H <sub>1</sub>	M	A	L <sub>3</sub>	B <sub>1</sub>	S	
	(in)	(mm)												
TP-SUET204 204-12	3/4	20	99	27.5	12	64	88	76	M16	36	47	33	12.7	0.34
TP-SUET205 205-14 205-15 205-16	7/8 15/16 1	25	99	27.5	12	64	88	76	M16	36	47	35.4	14.3	0.35
TP-SUET206 206-17 206-18 206-19 206-20	1-1/16 1-1/8 1-3/16 1-1/4	30	125	34.5	12	76	102	89	M16	40	63	39.8	15.9	0.59
TP-SUET207 207-20 207-21 207-22 207-23	1-1/4 1-5/16 1-3/8 1-7/16	35	125	34.5	12	76	102	89	M16	40	63	43.9	17.5	0.75
TP-SUET208 208-24 208-25	1-1/2 1-9/16	40	140	34.5	16	85	114	102	M16	40	80	50.2	19	0.99
TP-SUET209 209-26 209-27 209-28	1-5/8 1-11/16 1-3/4	45	149	40	16	90	116	102	M20	50	85	50.2	19	1.19
TP-SUET210 210-30 210-31 210-32	1-7/8 1-15/16 2	50	149	40	16	90	116	102	M20	50	85	52.6	19	1.22

MODE OF LOAD	BREAKING POINT OF HOUSINGS(N)						
	204	205	206	207	208	209	210
	14800	15500	15800	16500	17300	18210	18860
	3930	4530	5100	6500	7800	8710	9750
	8500	10350	10900	11300	12150	12900	13550
	40770	45300	46100	44100	42800	44230	44880

Notes: Anti-Bacteria Protection Series is available by adding prefix "AB" as designation. Ordering example: ABTP-SUET204

# Thermoplastic Housed Units **LDK**<sup>®</sup>

**TP-SUCFB** Thermoplastic flange bracket, Stainless steel inserts, With food grade grease and silicon rubber seal, Setscrew locking



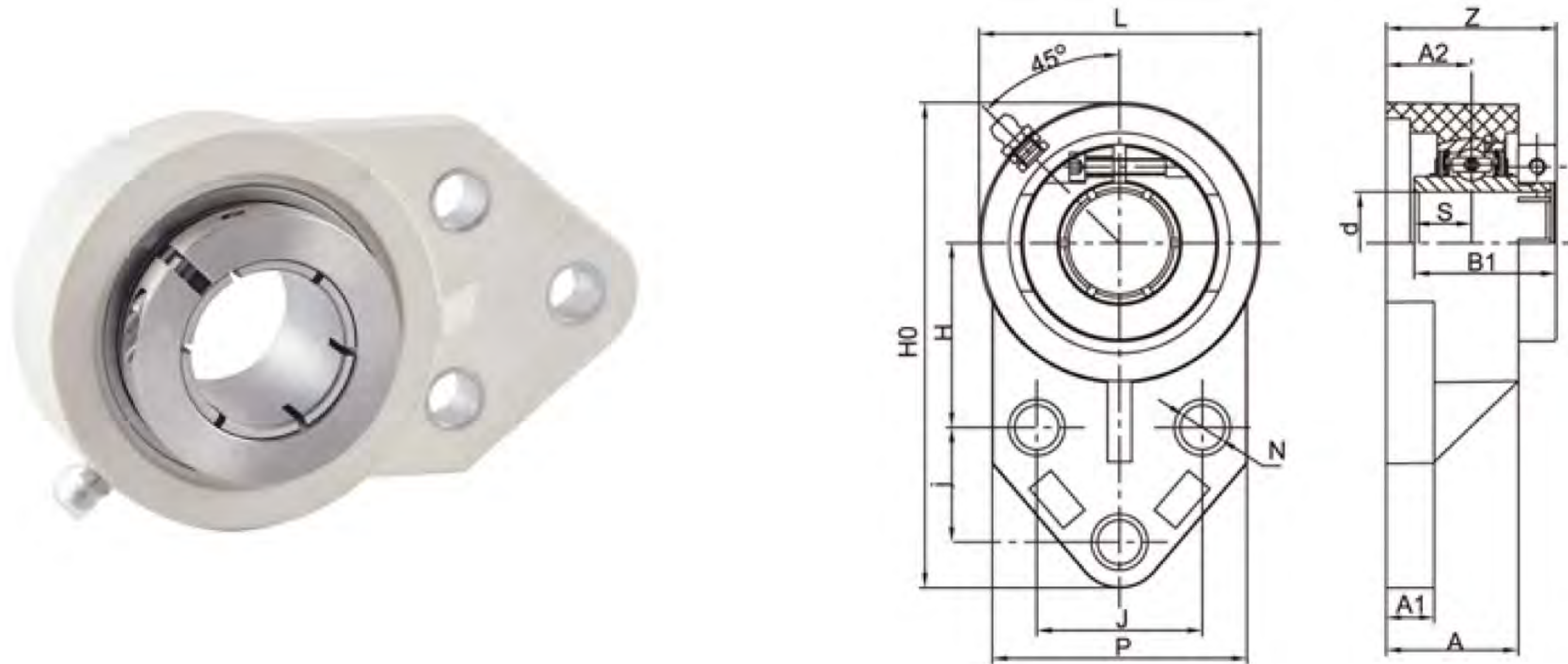
Unit No.	Shaft Dia		Dimensions(mm)													Bolt Size (mm)	Weight (kg)
	d		H <sub>0</sub>	H	J	j	A <sub>2</sub>	A <sub>1</sub>	A	N	L	P	B	S	Z		
	(in)	(mm)															
TP-SUCFB201 201-8	1/2	12	108	42.9	38.1	22.2	19.7	11.4	31.2	11	63	62	31	12.7	38	M10	0.28
TP-SUCFB202 202-9 202-10	9/16 5/8	15	108	42.9	38.1	22.2	19.7	11.4	31.2	11	63	62	31	12.7	38	M10	0.26
TP-SUCFB203 203-11	11/16	17	108	42.9	38.1	22.2	19.7	11.4	31.2	11	63	62	31	12.7	38	M10	0.25
TP-SUCFB204 204-12	3/4	20	108	42.9	38.1	22.2	19.7	11.4	31.2	11	63	62	31	12.7	38	M10	0.25
TP-SUCFB205 205-14 205-15 205-16	7/8 15/16 1	25	121	46	41.3	28.6	21.3	12.3	33	11	70	63	34.1	14.3	41.1	M10	0.30
TP-SUCFB206 206-17 206-18 206-19 206-20	1-1/16 1-1/8 1-3/16 1-1/4	30	139	52.4	47.6	31.8	22.9	14.5	35.4	11	83	76	38.1	15.9	47.6	M10	0.46
TP-SUCFB207 207-20 207-21 207-22 207-23	1-1/4 1-5/16 1-3/8 1-7/16	35	158	60.3	50.8	31.8	24.5	17	37.5	13	94	89	42.9	17.5	50.8	M12	0.66
TP-SUCFB208 208-24 208-25	1-1/2 1-9/16	40	178	67.3	54	35.5	26	18.5	39.5	13	103	99	49.2	19	54	M12	0.9

MODE OF LOAD	BREAKING POINT OF HOUSINGS(N)				
	204	205	206	207	208
	7200	9100	12200	12900	13600
	9200	11100	11800	11900	12100
	2600	2800	2900	3100	3300

Notes: Anti-Bacteria Protection Series is available by adding prefix "AB" as designation. Ordering example: ABTP-SUCFB204

# LDK<sup>®</sup> Thermoplastic Housed Units

TP-SUEFB Thermoplastic flange bracket, Stainless steel inserts, With food grade grease and silicon rubber seal, Concentric locking



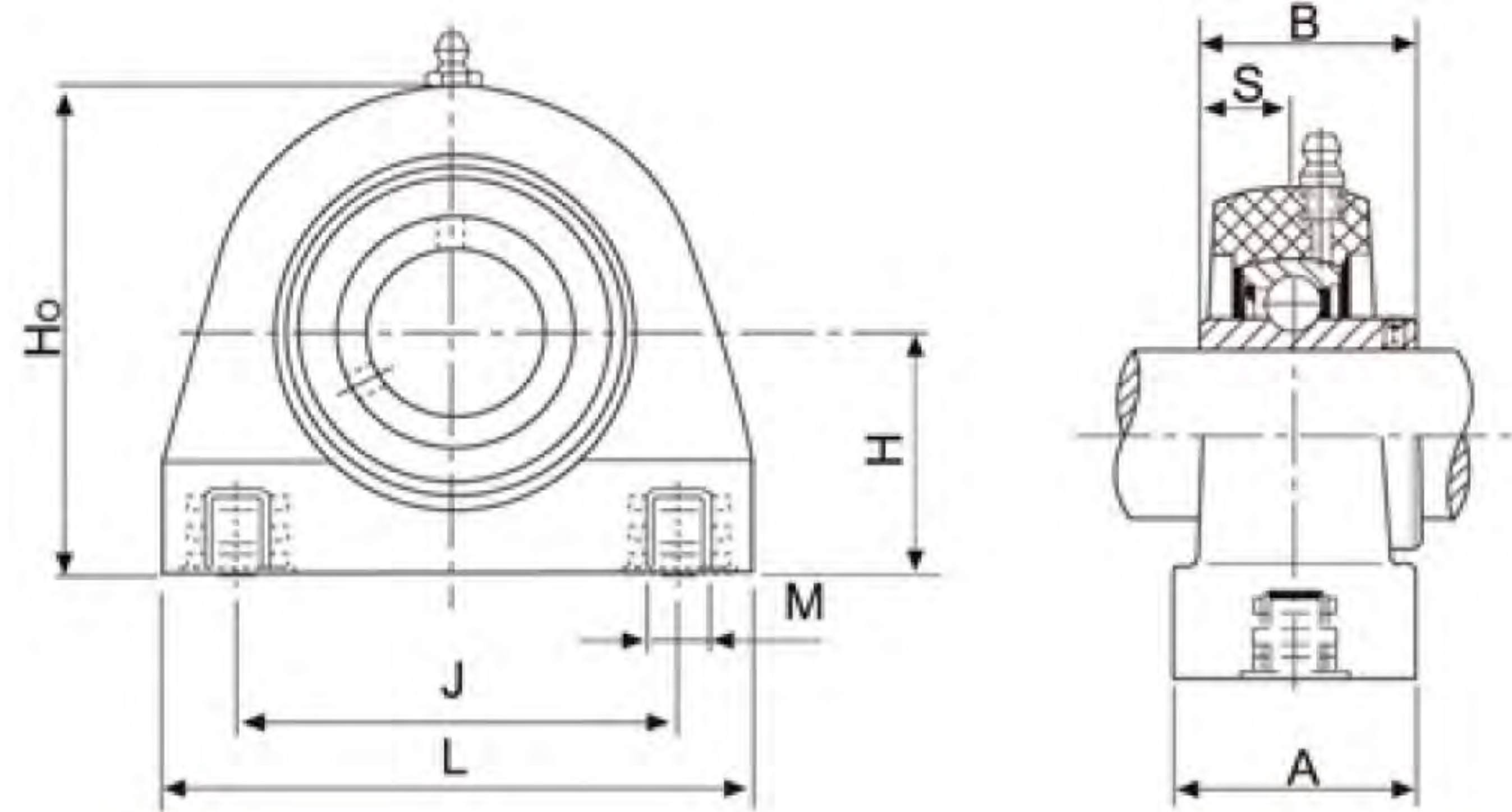
Unit No.	Shaft Dia		Dimensions(mm)													Bolt Size (mm)	Weight (kg)
	d		H <sub>0</sub>	H	J	j	A <sub>2</sub>	A <sub>1</sub>	A	N	L	P	B <sub>1</sub>	S	Z		
	(in)	(mm)															
TP-SUEFB204 204-12	3/4	20	108	42.9	38.1	22.2	19.7	11.4	31.2	11	63	62	33	12.7	40	M10	0.28
TP-SUEFB205 205-14 205-15 205-16	7/8 15/16 1	25	121	46	41.3	28.6	21.3	12.3	33	11	70	63	35.4	14.3	42.4	M10	0.33
TP-SUEFB206 206-17 206-18 206-19 206-20	1-1/16 1-1/8 1-3/16 1-1/4	30	139	52.4	47.6	31.8	22.9	14.5	35.4	11	83	76	39.8	15.9	46.8	M10	0.51
TP-SUEFB207 207-20 207-21 207-22 207-23	1-1/4 1-5/16 1-3/8 1-7/16	35	158	60.3	50.8	31.8	24.5	17	37.5	13	94	89	43.9	17.5	50.9	M12	0.77
TP-SUEFB208 208-24 208-25	1-1/2 1-9/16	40	178	67.3	54	35.5	26	18.5	39.5	13	103	99	50.2	19	57.2	M12	1.02

MODE OF LOAD					
	204	205	206	207	208
	7200	9100	12200	12900	13600
	9200	11100	11800	11900	12100
	2600	2800	2900	3100	3300

Notes: Anti-Bacteria Protection Series is available by adding prefix "AB" as designation. Ordering example: ABTP-SUEFB204

# Thermoplastic Housed Units **LDK**<sup>®</sup>

**TP-SUCTB** Thermoplastic pillow blocks, Tapped base, Stainless steel inserts, With food grade grease and silicon rubber seal, Setscrew locking

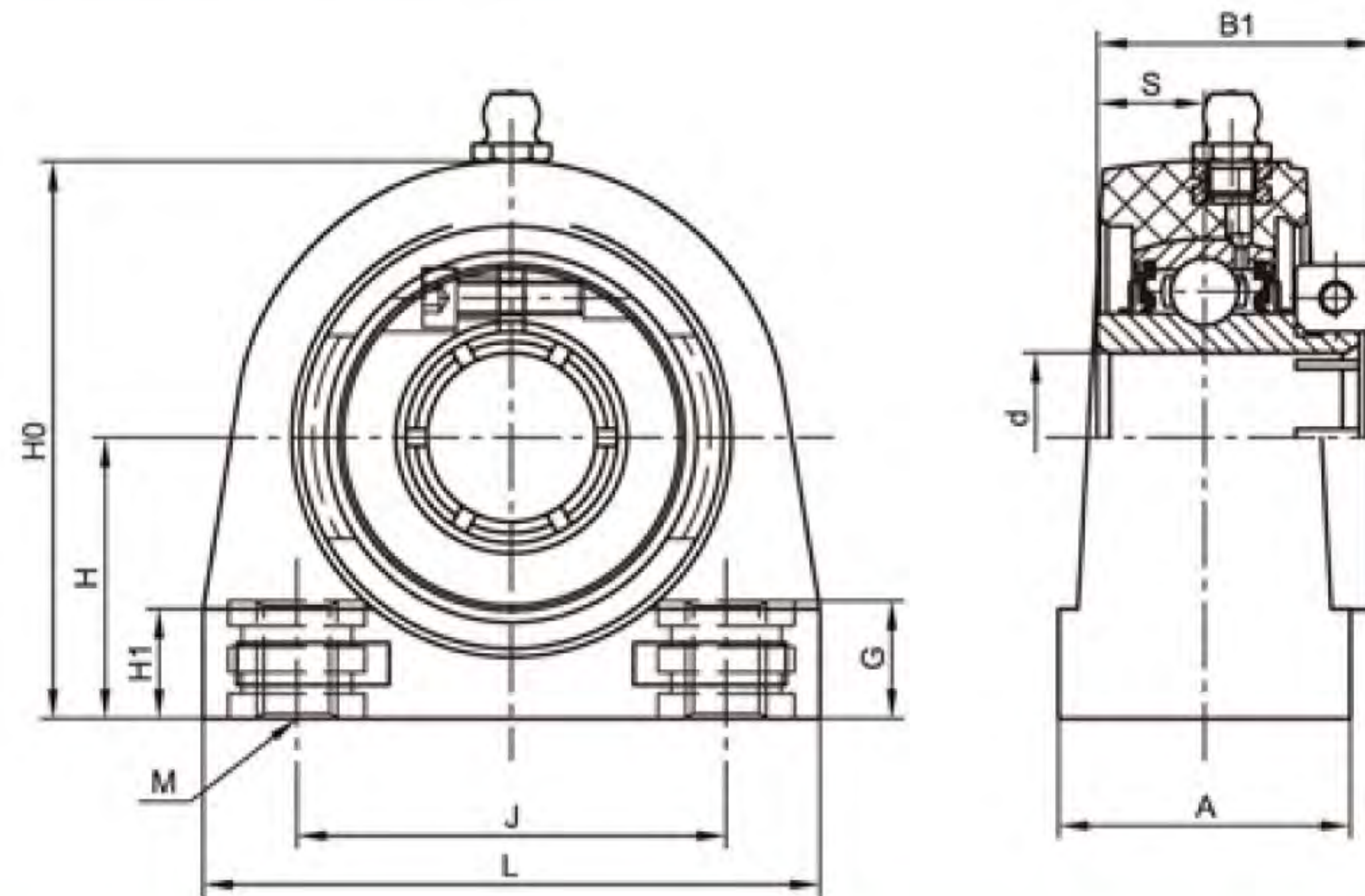


Unit No.	Shaft Dia		Dimensions(mm)								Weight (kg)
	d		H	A	Ho	J	L	M	B	S	
	(in)	(mm)									
TP-SUCTB201 201-8	1/2	12	33.3	34.5	66	50.8	73	3/8-16	31	12.7	0.26
TP-SUCTB202-9 202	9/16	15	33.3	34.5	66	50.8	73	3/8-16	31	12.7	0.26
TP-SUCTB202-10	5/8										
TP-SUCTB203 203-11	11/16	17	33.3	34.5	66	50.8	73	3/8-16	31	12.7	0.26
TP-SUCTB204-12 204	3/4	20	33.3	34.5	66	50.8	73	3/8-16	31	12.7	0.26
TP-SUCTB205-14 205-15	7/8										
TP-SUCTB205-16	15/16	25	36.5	39.7	73.4	50.8	76.2	3/8-16	34.1	14.3	0.32
TP-SUCTB206-17 206-18	1-1/16										
TP-SUCTB206-19	1-1/8	30	42.9	42.5	84	76.2	101.6	7/16-14	38.1	15.9	0.53
TP-SUCTB206-20	1-3/16										
TP-SUCTB207-20 207-21	1-1/4										
TP-SUCTB207-22	1-5/16										
TP-SUCTB207-23	1-3/8	35	47.6	47.6	95	82.6	111	1/2-13	42.9	17.5	0.73
TP-SUCTB208-24 208-25	1-1/2										
TP-SUCTB208-26	1-9/16	40	49.2	47.6	100.4	88.9	120	1/2-13	49.2	19	0.93
TP-SUCTB209-26 209-27	1-5/8										
TP-SUCTB209-28	1-11/16										
TP-SUCTB209-29	1-3/4	45	54.2	50	108.5	95.3	124	1/2-13	49.2	19	1.06
TP-SUCTB210-30 210-31	1-7/8										
TP-SUCTB210-32	1-15/16	50	57.2	54	115	101.6	135	5/8-11	51.6	19	1.25
TP-SUCTB210-33	2										

Notes: Anti-Bacteria Protection Series is available by adding prefix "AB" as designation. Ordering example: ABTP-SUCTB204

# LDK<sup>®</sup> Thermoplastic Housed Units

TP-SUETB Thermoplastic pillow blocks, Tapped base, Stainless steel inserts, With food grade grease and silicon rubber seal, Concentric locking



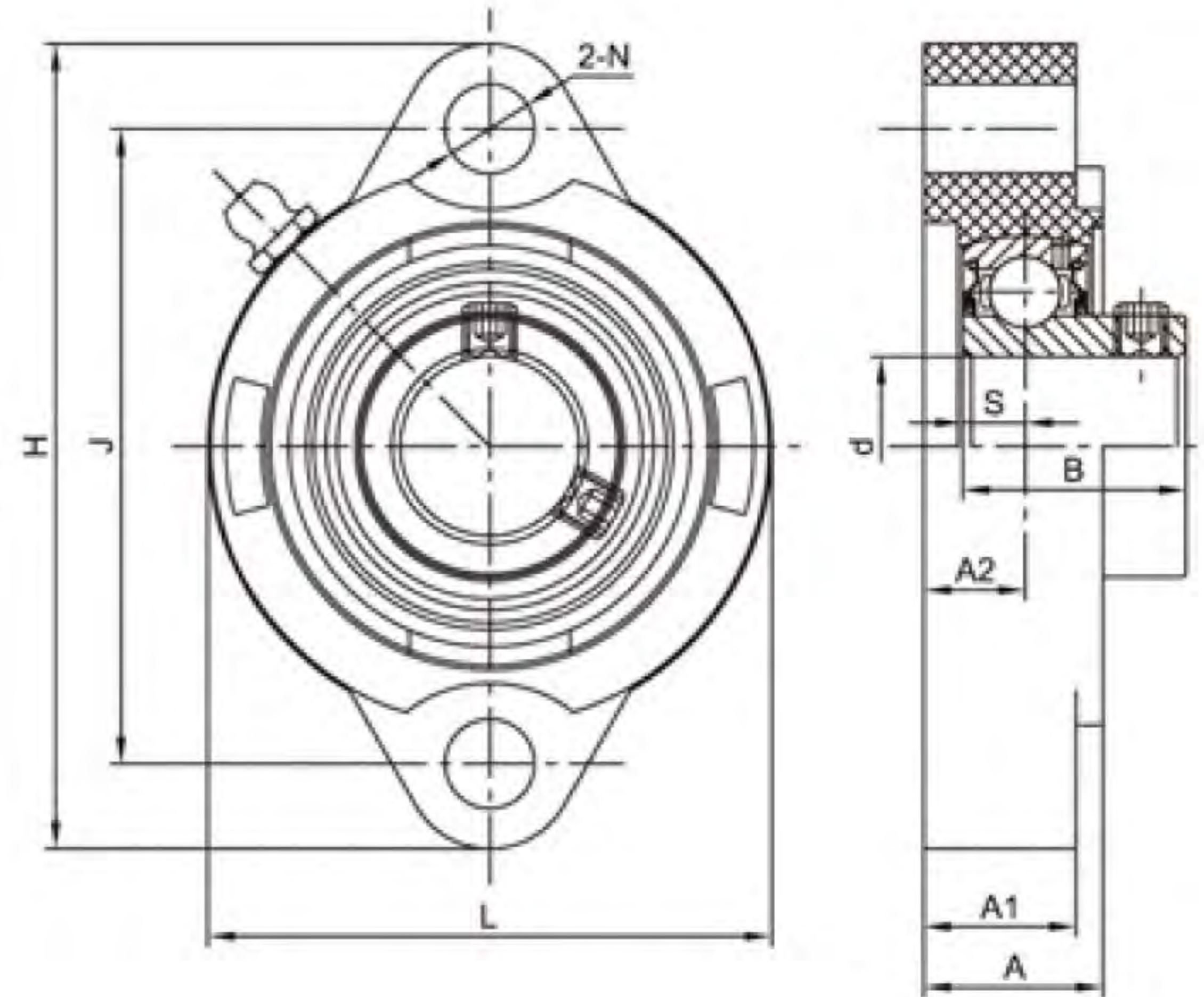
Unit No.	Shaft Dia		Dimensions(mm)										Weight (kg)
	d		H	A	Ho	J	L	M	G	H1	B1	S	
	(in)	(mm)											
TP-SUETB204-12 204	3/4	20	33.3	34.5	66	50.8	73	3/8-16	14	13	33	12.7	0.28
TP-SUETB205-14 205-15 205 205-16	7/8 15/16 1	25	36.5	39.7	73.4	50.8	76.2	3/8-16	14	13	35.4	14.3	0.34
TP-SUETB206-17 206-18 206 206-19 206-20	1-1/16 1-1/8 1-3/16 1-1/4	30	42.9	42.5	84	76.2	101.6	7/16-14	14	16	39.8	15.9	0.52
TP-SUETB207-20 207-21 207-22 207 207-23	1-1/4 1-5/16 1-3/8 1-7/16	35	47.6	47.6	95	82.6	111	1/2-13	15	16	43.9	17.5	0.75
TP-SUETB208-24 208-25 208	1-1/2 1-9/16	40	49.2	47.6	100.4	88.9	120	1/2-13	15	16	50.2	19	0.94
TP-SUETB209-26 209-27 209-28 209	1-5/8 1-11/16 1-3/4	45	54.2	50	108.5	95.3	124	1/2-13	15	19	50.2	19	1.11
TP-SUETB210-30 210-31 210 210-32	1-7/8 1-15/16 2	50	57.2	54	115	101.6	135	5/8-11	18	22	52.6	19	1.26

Notes: Anti-Bacteria Protection Series is available by adding prefix "AB" as designation. Ordering example: ABTP-SUETB204



# Thermoplastic Housed Units **LDK**<sup>®</sup>

**TP-SSBLF** Thermoplastic flange 2-bolt, Stainless steel inserts, With food grade grease and silicon rubber seal, Setscrew locking

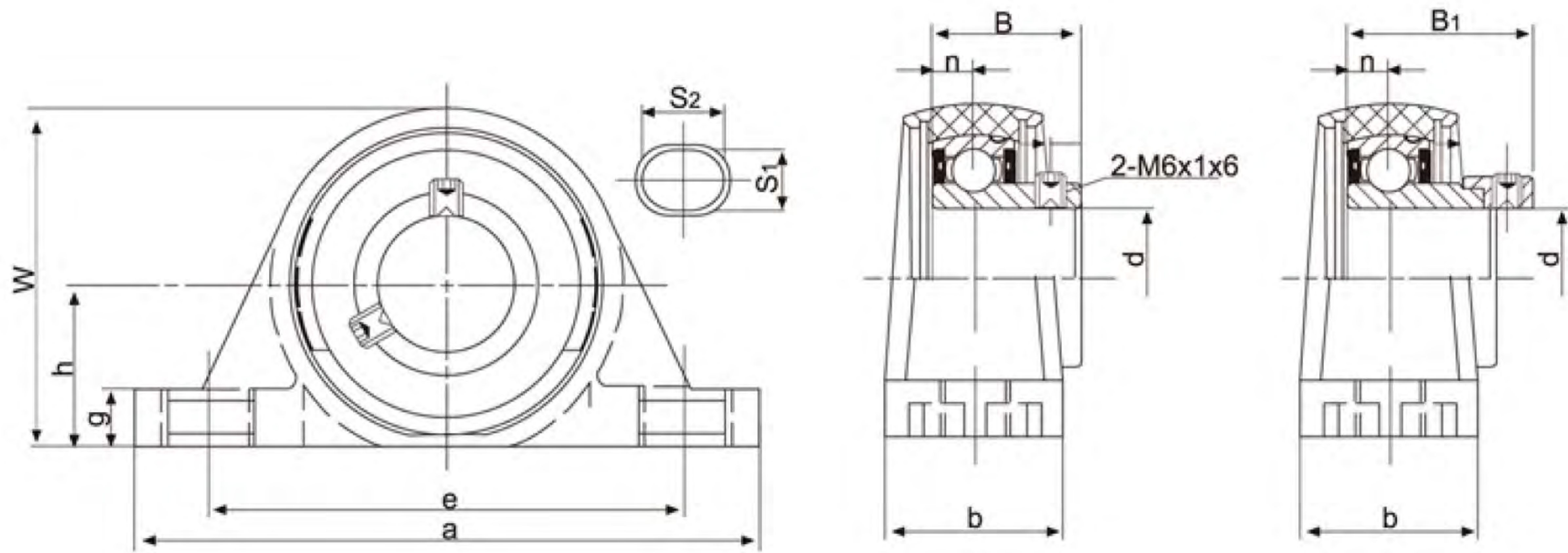


Unit No.	Shaft Dia		Dimensions(mm)									Weight (kg)
	d		H	J	L	A <sub>1</sub>	A	N	A <sub>2</sub>	B	S	
	(in)	(mm)										
TP-SSBLF203 203-11	11/16	17	81	63.5	56	16	18	9	9.5	22	6	0.18
TP-SSBLF204 204-12	3/4	20	90.5	71.4	66.5	18.4	20	9	9.5	25	7	0.17
TP-SSBLF205 205-13 205-14 205-15 205-16	13/16 7/8 15/16 1	25	97	76.2	71	18.4	21.2	9	10	27	7.5	0.26
TP-SSBLF206 206-17 206-18 206-19 206-20	1-1/16 1-1/8 1-3/16 1-1/4	30	112.5	90.5	84	20.5	23.3	11	11.5	30	8	0.36
TP-SSBLF207 207-20 207-21 207-22 207-23	1-1/4 1-5/16 1-3/8 1-7/16	35	126	100	94	22.5	25.3	11	12.5	32	8.5	0.56
TP-SSBLF208 208-24 208-25	1-1/2 1-9/16	40	150	119	100	24	26.8	14	13.5	34	9	0.78

Notes: Anti-Bacteria Protection Series is available by adding prefix "AB" as designation. Ordering example: ABTP-SSBLF204

# LDK<sup>®</sup> Thermoplastic Housed Units

TP-SBPY/TP-SAPY Thermoplastic pillow blocks, Chrome or Stainless steel inserts, Narrow inner ring, Setscrew/Eccentric locking



TP-SAPY205



TP-SBPY205

Unit No	Shaft d(mm)	Dimensions(mm)											Bolt Size	Housing No.	Bearing No.	Housing Weight (kg)
		h	a	e	b	S <sub>1</sub>	S <sub>2</sub>	g	w	B <sub>1</sub>	B	n				
TP-SBPY205-16	1"	29	114	87	32	11	15	10	61	-	27	7.5	3/8	PY205	SB205-16	0.065
TP-SSBPY205-16	1"	29	114	87	32	11	15	10	61	-	27	7.5	3/8	PY205	SSB205-16	0.065
TP-SAPY205-16	1"	29	114	87	32	11	15	10	61	31.5	-	7.5	3/8	PY205	SA205-16	0.065
TP-SSAPY205-16	1"	29	114	87	32	11	15	10	61	31.5	-	7.5	3/8	PY205	SSA205-16	0.065

Notes: Anti-Bacteria Protection Series is available by adding prefix "AB" as designation. Ordering example: ABTP-SSBPY205-16

# Thermoplastic Housed Units **LDK**<sup>®</sup>

Accessories: End-covers, Back seal



TP-BS



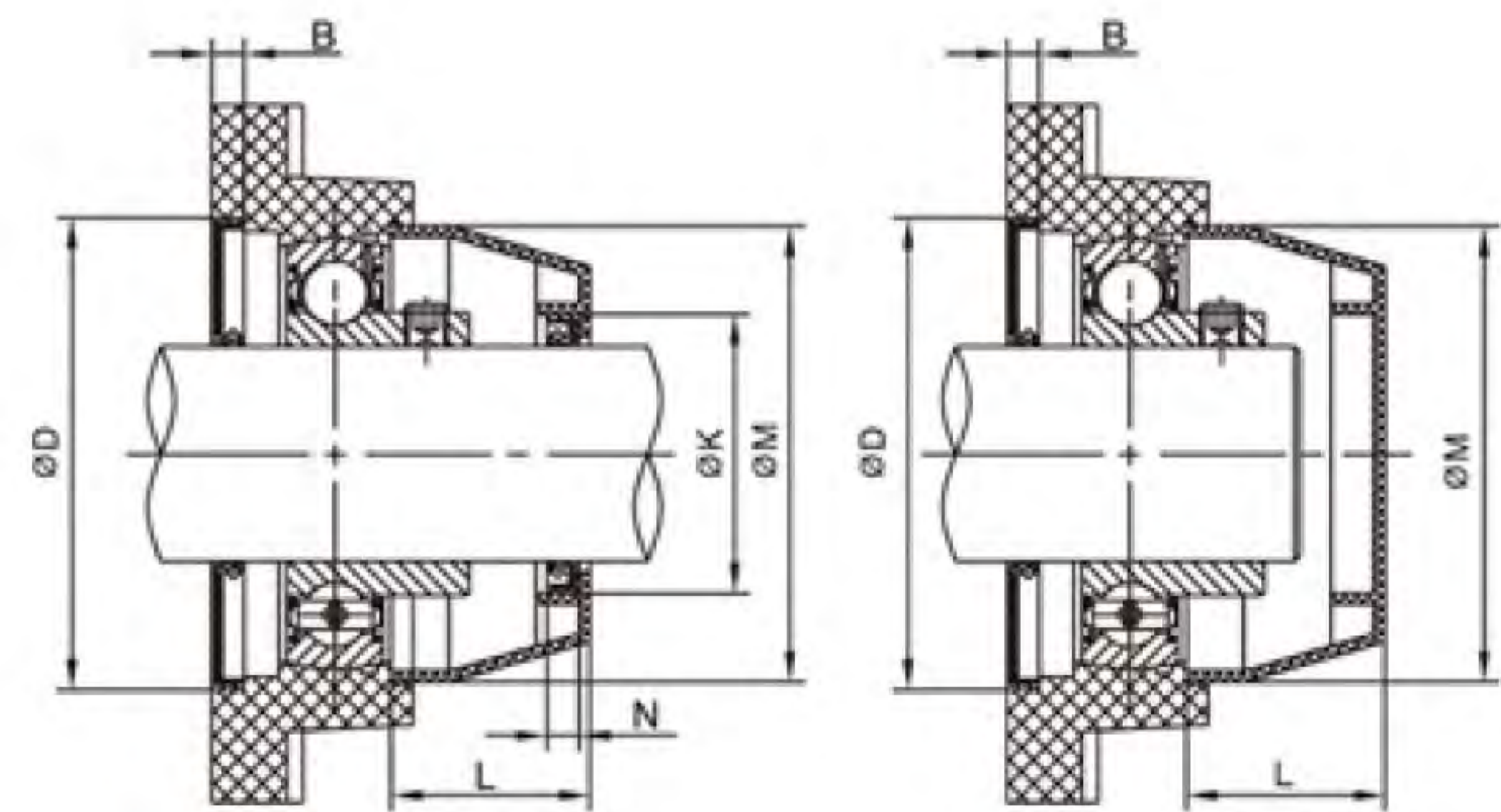
TP-OC



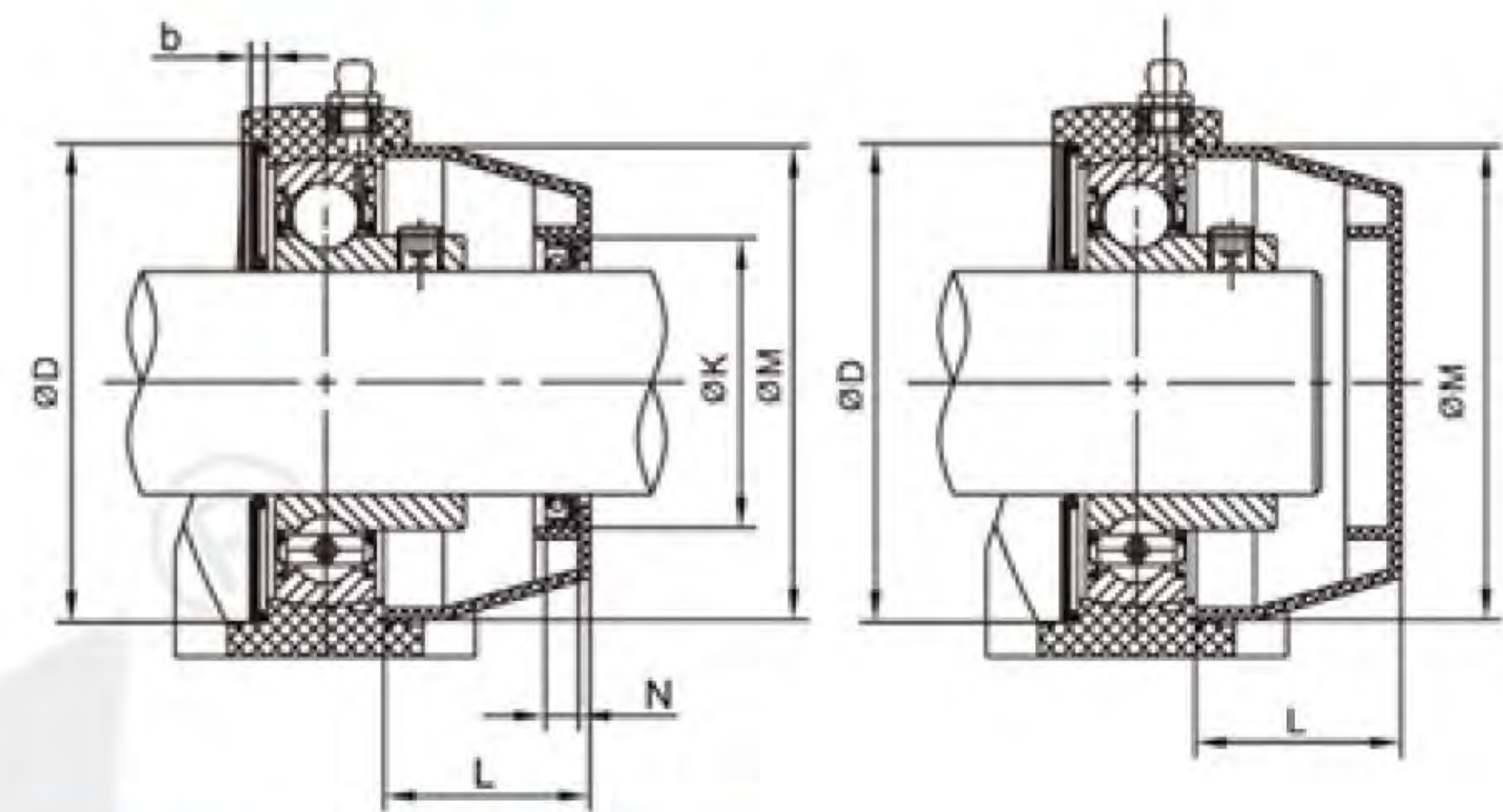
TP-CC

## Plastic Covers: Open/Close Type (OC / CC)

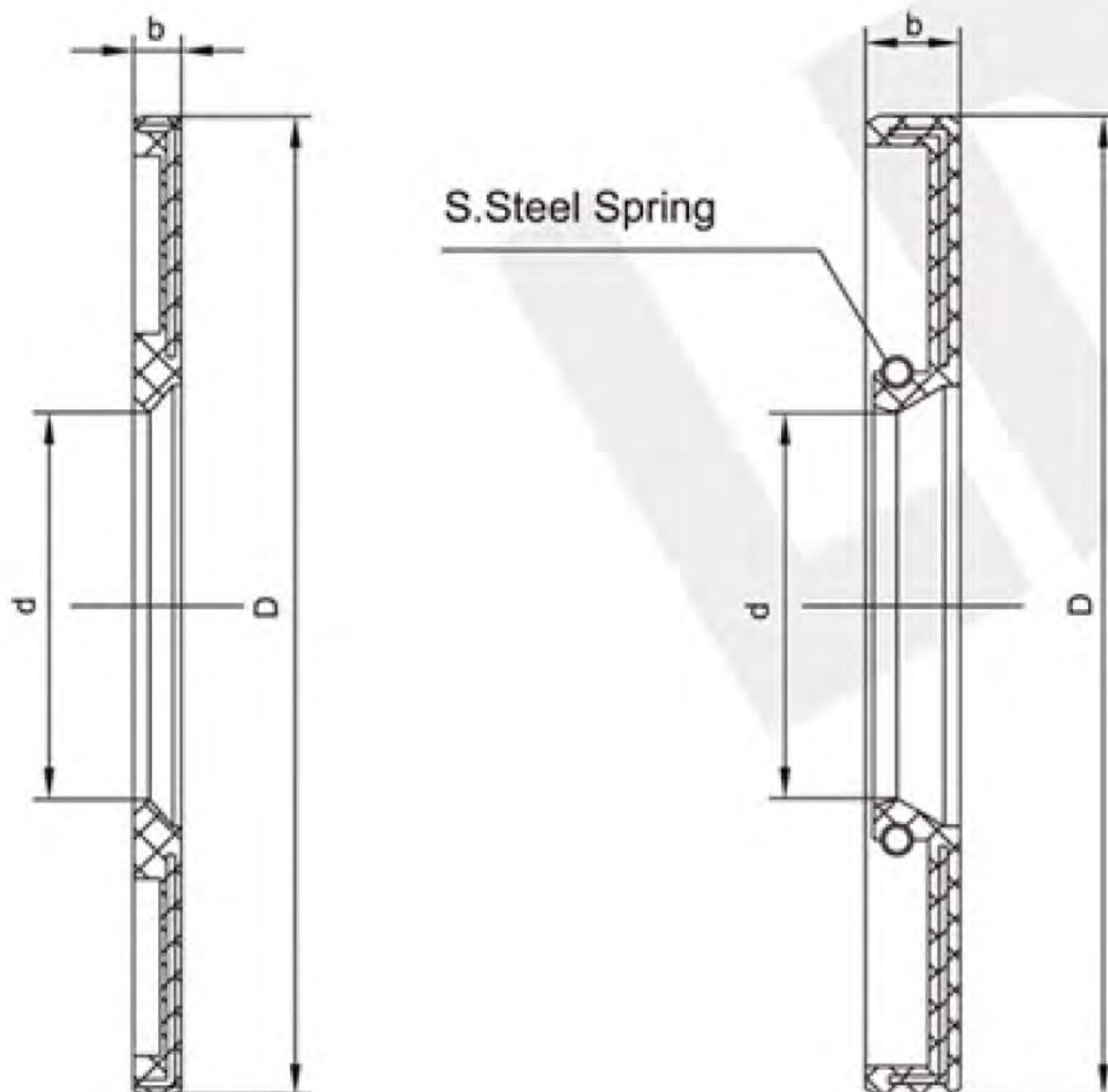
Shaft diameter		Dimensions(mm)						
mm	inch	K	N	L	M	D	B	b
12	1/2	32	7	23	50	52	6	3
15	9/16 5/8	32	7	23	50	52	6	3
17	1 1/16	32	7	23	50	52	6	3
20	3/4	32	7	23	50	52	6	3
25	1 3/16 1 1/8 1 5/16 1	37	7	25	55	62	6	3
30	1 1/8 1 1/4 1 3/8 1 1/2	42	7	30	64	72	6	3
35	1 1/4 1 5/8 1 3/4 1 7/8	47	7	32	74.5	82	6	3
40	1 1/2 1 9/16	52	7	37	84	88	6	3
45	1 5/8 1 11/16 1 3/4	57	7	41	89	93	6	3
50	1 3/4 1 7/8 1 15/16 2	62	7	47	94	98	6	3
55	2 2 1/8 2 3/8	67	7	49	102	108	6	3
60	2 1/4 2 3/8 2 7/8	72	7	48	116	116	6	3



• Flange Units



• Pillow Block Units



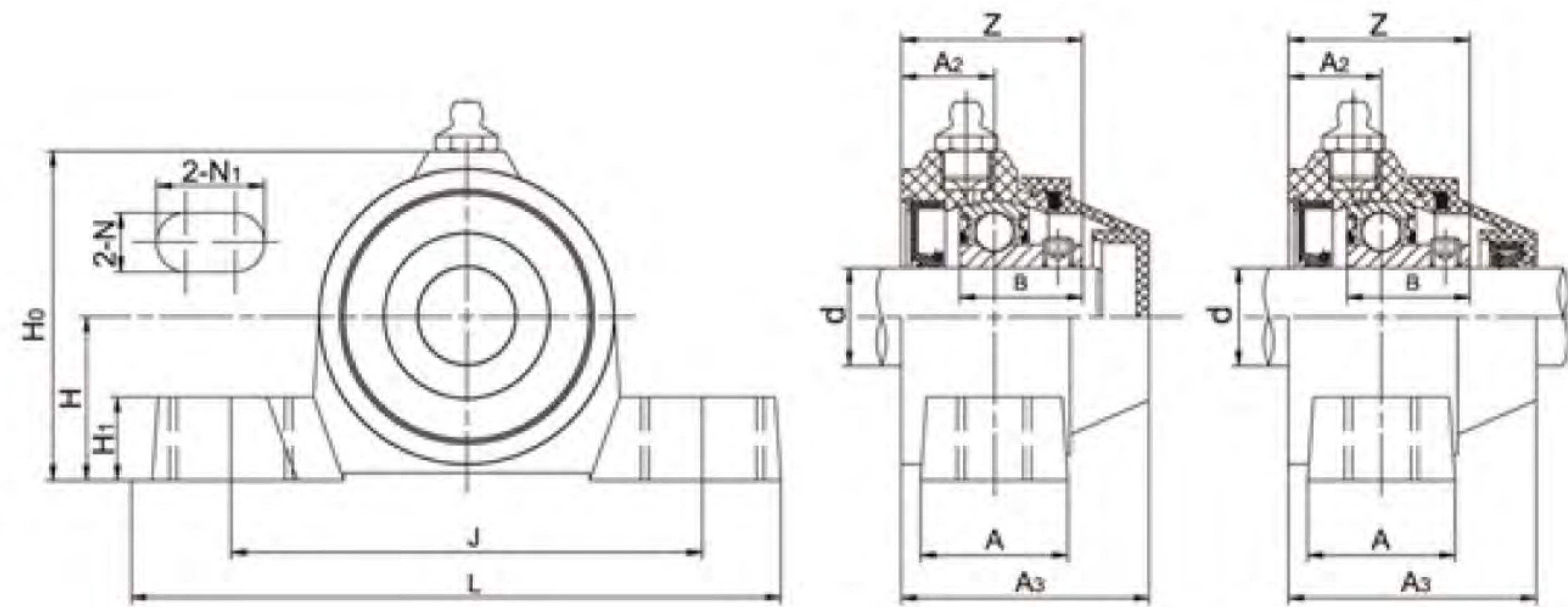
## BACK SEALS

SIZE	DIM	FOR P T PA HOUSING			FOR F FL FB HOUSING		
		d	b	D	d	b	D
BS204		20	3	52	20	6	52
BS205		25	3	56	25	6	62
BS206		30	3	66	30	6	72
BS207		35	3	76	35	6	82
BS208		40	3	86	40	6	88
BS209		45	3	90	45	6	93
BS210		50	3	96	50	6	98
BS211		55	3	107	55	6	108
BS212		60	3	116	60	6	116

Notes: End caps and back seal could be ordered separately, Ordering example: TP-CC205, TP-OC205, TP-BS205. Upon request Anti-Bacteria Protection Series is available by adding prefix "AB" as designation. Ordering example: ABTP-OC205

# LDK<sup>®</sup> Water-Proof Thermoplastic Housed Units

WP-SSBP Water-Proof thermoplastic housed units, Pillow blocks



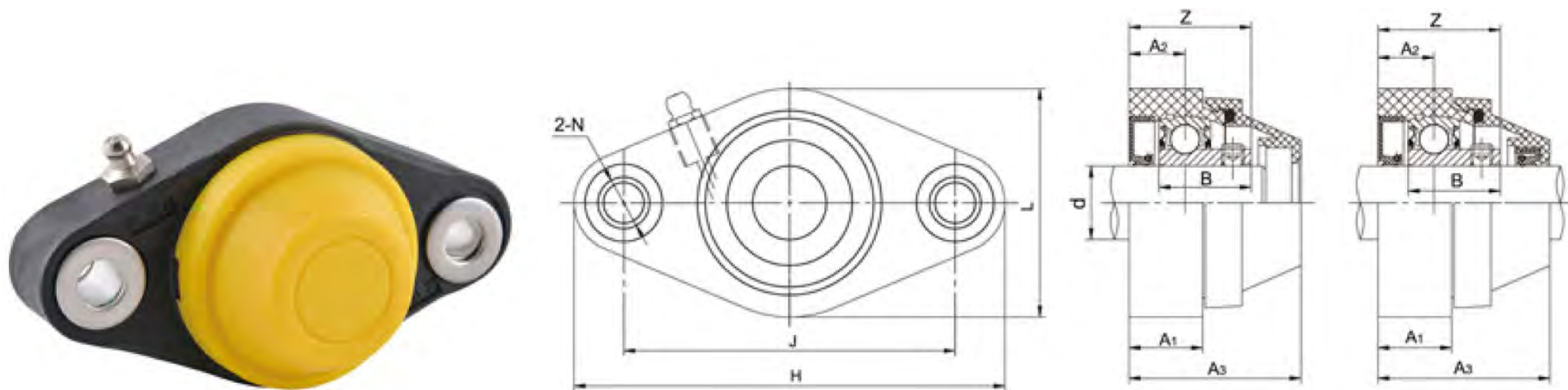
Unit No.	Shaft Dia		Dimensions(mm)												Bolt size (mm)	Housing Weight (kg)
	d		L	J	H	H <sub>0</sub>	H <sub>1</sub>	N	N <sub>1</sub>	A	A <sub>1</sub>	B	Z	A <sub>3</sub>		
	(in)	(mm)														
WP-SSBP204 204-12	3/4	20	128	96	33.3	67	17	12	22	30	18.9	25	37.2	49.7	M10	0.26
WP-SSBP205 205-14 205-15 205-16	7/8 15/16 1	25	140	106	36.5	75	17	12	22	34.5	18.8	27	38.3	51.5	M10	0.33
WP-SSBP206 206-17 206-18 206-19 206-20	1-1/16 1-1/8 1-3/16 1-1/4	30	163	121	42.9	88	22	14	24	36	19.7	30	40.7	55	M12	0.49
WP-SSBP207 207-20 207-21 207-22 207-23	1-1/4 1-5/16 1-3/8 1-7/16	35	167	126	47.6	98	20	14	24	38.6	21.3	32	44.6	61	M12	0.64
WP-SSBP208 208-24 208-25	1-1/2 1-9/16	40	185	136	50	102	20	14	24	38.6	25	34	50.3	66.5	M12	0.86

MODE OF LOAD	BREAKING POINT OF HOUSINGS(N)				
	204	205	206	207	208
	6473	6290	5775	5817	6913
	6671	6681	6761	6811	6911
	2569	2621	2650	2790	3291

Notes: Anti-Bacteria Protection Series is available by adding prefix "AB" as designation. Ordering example: ABWP-SSBP204.

# Water-Proof Thermoplastic Housed Units **LDK**<sup>®</sup>

## WP-SSBFL Water-Proof thermoplastic housed units, 2-bolt flange



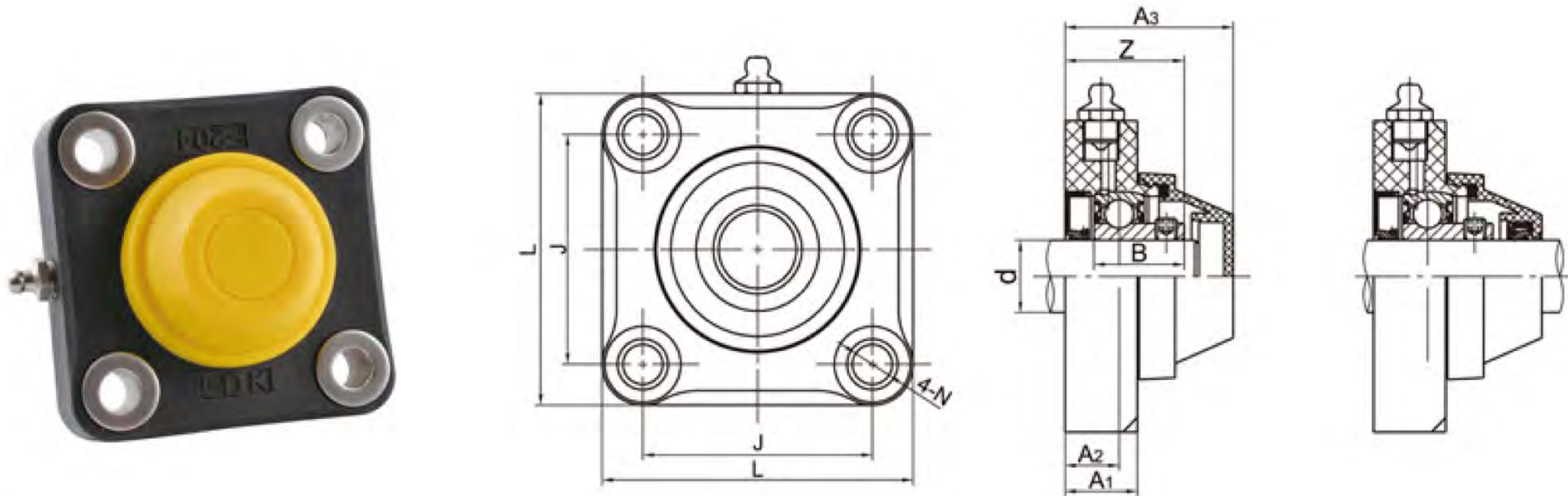
Unit No.	Shaft Dia		Dimensions(mm)									Bolt Size (mm)	Housing Weight (kg)
	d		H	J	A <sub>2</sub>	A <sub>1</sub>	N	L	B	Z	A <sub>3</sub>		
	(in)	(mm)											
WP-SSBFL204 204-12	3/4	20	117	90	15.2	20	11	62	25	33.5	46	M10	0.09
WP-SSBFL205 205-14 205-15 205-16	7/8 15/16 1	25	131	99	16.8	22.5	11	71	27	36.3	49.5	M10	0.14
WP-SSBFL206 206-17 206-18 206-19 206-20	1-1/16 1-1/8 1-3/16 1-1/4	30	149	118	20	26	11	85	30	42	55	M10	0.21
WP-SSBFL207 207-20 207-21 207-22 207-23	1-1/4 1-5/16 1-3/8 1-7/16	35	163	130	19.5	26	11	93	32	43	59	M10	0.21
WP-SSBFL208 208-24 208-25	1-1/2 1-9/16	40	177	144	23	30	11	102	34	48	65.5	M10	0.24

MODE OF LOAD	BREAKING POINT OF HOUSINGS(N)				
	204	205	206	207	208
	8756	8943	10132	10234	14000
	8733	15811	15823	16211	16233
	2384	3876	4001	4501	5079

Notes: Anti-Bacteria Protection Series is available by adding prefix "AB" as designation. Ordering example: ABWP-SSBFL204.

# LDK<sup>®</sup> Water-Proof Thermoplastic Housed Units

WP-SSBF Water-Proof thermoplastic housed units, 4-bolt flange



Unit No.	Shaft Dia		Dimensions(mm)								Bolt Size (mm)	Housing Weight (kg)
	d		L	J	A <sub>2</sub>	A <sub>1</sub>	N	B	Z	A <sub>3</sub>		
	(in)	(mm)										
WP-SSBF204 204-12	3/4	20	86	63.5	15	22.5	11	25	36.3	49.5	M10	0.36
WP-SSBF205 205-14 205-15 205-16	7/8 15/16 1	25	98	70	16.8	22.5	11	27	36.3	49.5	M10	0.38
WP-SSBF206 206-17 206-18 206-19 206-20	1-1/16 1-1/8 1-3/16 1-1/4	30	110	83	20	26	11	30	41	55	M10	0.56
WP-SSBF207 207-20 207-21 207-22 207-23	1-1/4 1-5/16 1-3/8 1-7/16	35	120	92	19.5	26	11	32	45	59	M10	0.77
WP-SSBF208 208-24 208-25	1-1/2 1-9/16	40	131	102	22	30	11	34	47.5	65.5	M10	0.99

MODE OF LOAD	BREAKING POINT OF HOUSINGS(N)				
	204	205	206	207	208
	17091	20142	20932	21690	22707
	8820	10350	16020	16560	16740
	2533	3329	3922	4100	4230

Notes: Anti-Bacteria Protection Series is available by adding prefix "AB" as designation. Ordering example: ABWP-SSBF204.

# Water-Proof Thermoplastic Housed Units **LDK**<sup>®</sup>

Accessories: End-Covers, Back seal



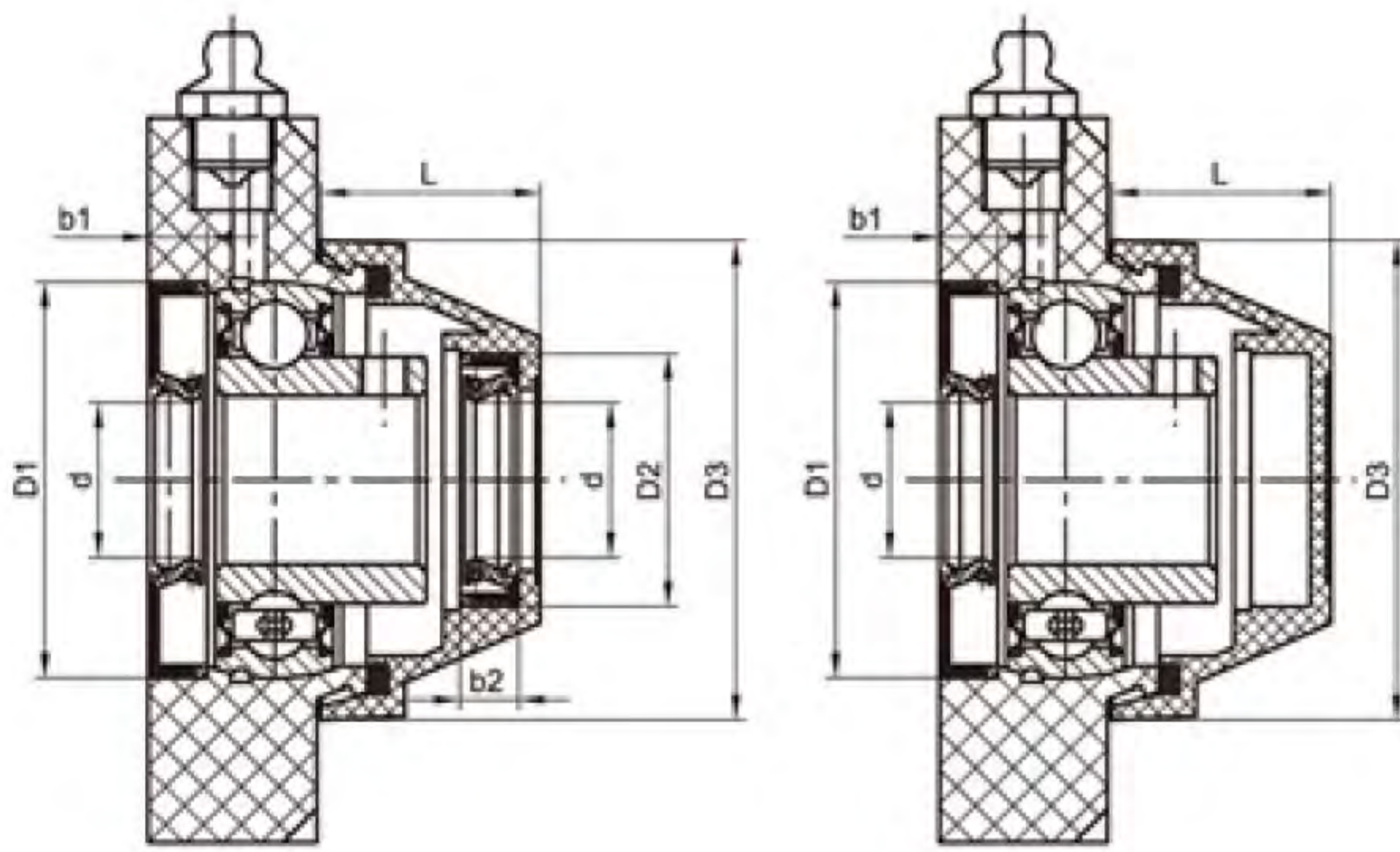
WP-BS



WP-CC

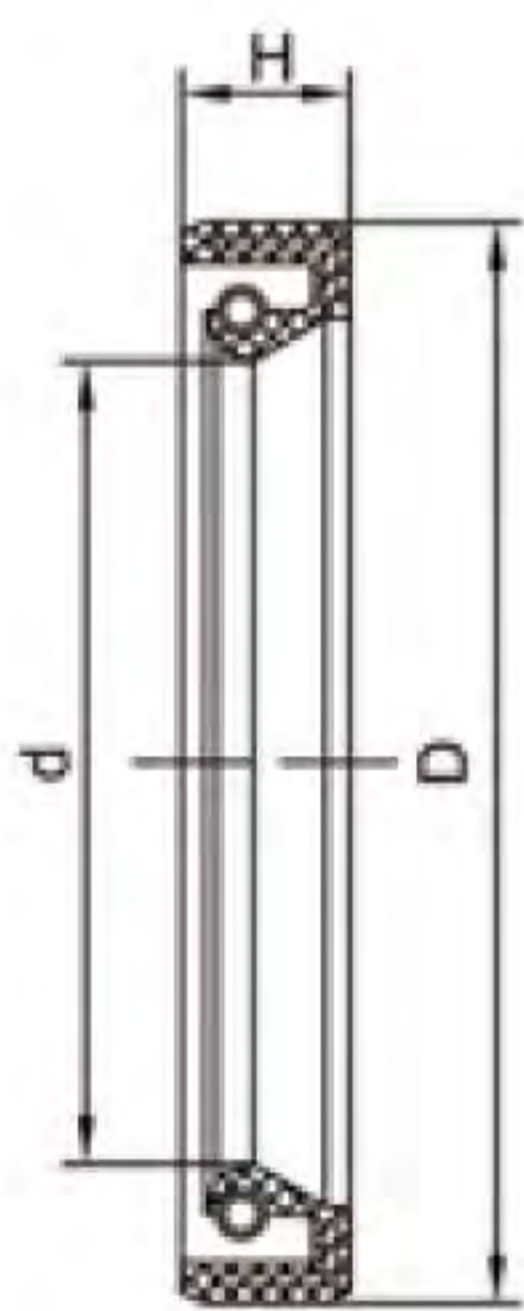


WP-OC



## Water-Proof Plastic Covers: Open/Close Type (OC / CC)

Shaft diameter		Dimensions(mm)					
D		D <sub>1</sub>	b <sub>1</sub>	D <sub>2</sub>	b <sub>2</sub>	D <sub>3</sub>	L
mm	inch						
20	3/4	47	7	30	7	56.7	26
25	13/16 14/16 15/16 1	52	7	35	7	67.7	28
30	1-1/16 1-1/8 1-3/16 1-1/4	62	7	40	7	78.7	29
35	1-1/4 1-5/16 1-3/8 1-7/16	72	7	45	7	88.7	33
40	1-1/2 1-9/16	80	7	50	7	96.7	35



## BACK SEAL

SIZE	DIM Dimensions(mm)		
	D	d	H
WP-P204	20	47	7
WP-P205	25	52	7
WP-P206	30	62	7
WP-P207	35	72	7
WP-P208	40	80	7

Notes: Anti-Bacteria Protection Series is available by adding prefix "AB" as designation. Ordering example: ABWP-OC205

## LDK<sup>®</sup> STAINLESS STEEL MOUNTED BEARING UNITS

### MATERIAL AND OPERATION TEMPERATURE

DESCRIPTION	MATERIALS
HOUSING:	SUS 304
BEARING INSERT	
SET SCREW	SUS 304
RETAINER	SUS 201
SLINGER & FRAME	SUS 304
INNER & OUTER RINGS	SUS 440
BALLS	SUS 440
GREASE NIPPLE	SUS 304
GREASE (please check with us for details)	INDUSTRY GREASE FOOD GRADE GREASE
OPERATING TEMPERATURE	-20°C ~ 120°C



### RECOMMENDED TIGHTENING TORQUE FOR SET SCREWS

SET SCREW	BEARING NO.	TIGHTENING TORQUE (N.M)
M6 X 1	SUC 204-206	3.9
M8 X 1	SUC 207-209	8.3
M10 X 1	SUC 210	16



### TOLERANCES FOR BEARING INNER RINGS

Nominal Bore Dia.(mm)	Bore Diameter				Width		Radial run-out	
	dm Deviations		d Deviations		B Deviations			
Over	incl.	Hight	Low	Hight	Low	Hight	Low	max
18	30	+21	0	+25	-40	0	-120	18
30	50	+25	0	+30	-5	0	-120	20

Unit:um



SHINY POLISHING SURFACE TREATMENT TO THE STAINLESS STEEL HOUSING IS AVAILABLE UPON REQUEST.

F AND FL TYPE HOUSINGS CAN BE MOUNTED WITH RUBBER BACK SEAL,CLOSE AND OPEN COVERS TO BLOCK OFF DUST.

### TYPICAL APPLICATION

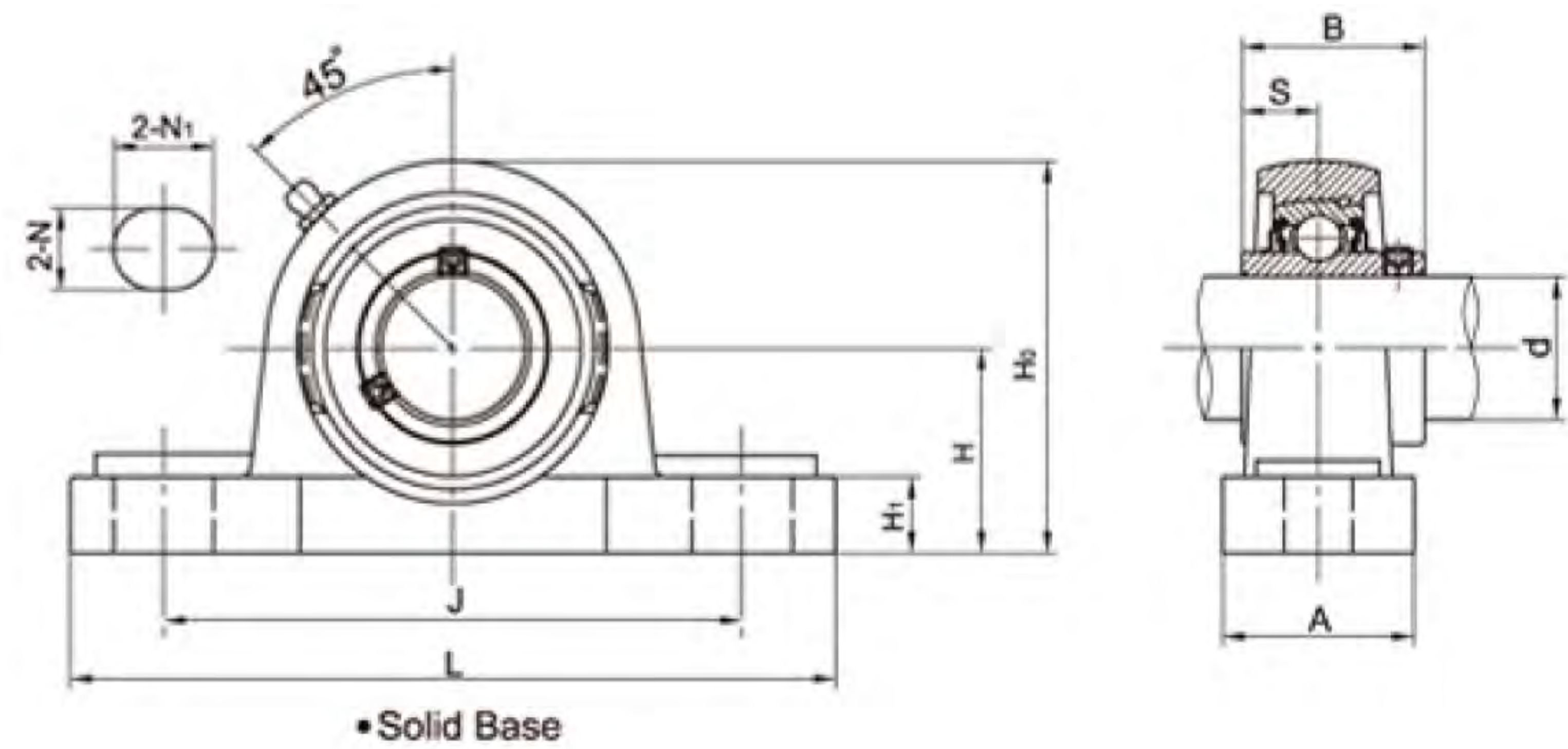
FOOD PROCESSING MACHINERY, MEDICAL EQUIPMENT, CHEMICAL AND AGRICULTURAL MACHINERY AND MANY APPLICATIONS THAT REQUIRE CLEANLINESS, RUST PREVENTIVE AND ANTI-CORROSION.





# All Stainless Steel Bearing Units **LDK**<sup>®</sup>

SSUCP..ESB All stainless steel pillow blocks, Solid base housing, Setscrew locking



Unit No.	Shaft Dia		Dimensions(mm)										Bolt Size (mm)	Weight (kg)
	d		H	L	J	A	N	N <sub>1</sub>	H <sub>1</sub>	H <sub>0</sub>	B	S		
	(in)	(mm)												
SSUCP204ESB 204-12ESB	3/4	20	33.3	127	95	38	13	19	15	64	31	12.7	M10	0.79
SSUCP205ESB 205-14ESB 205-15ESB 205-16ESB	7/8 15/16 1	25	36.5	140	105	38	13	19	16.5	70	34.1	14.3	M10	0.95
SSUCP206ESB 206-17ESB 206-18ESB 206-19ESB 206-20ESB	1-1/16 1-1/8 1-3/16 1-1/4	30	42.9	165	121	48	17	21	18	82	38.1	15.9	M12	1.49
SSUCP207ESB 207-20ESB 207-21ESB 207-22ESB 207-23ESB	1-1/4 1-5/16 1-3/8 1-7/16	35	47.6	167	127	48	17	21	19	92	42.9	17.5	M12	1.93
SSUCP208ESB 208-24ESB 208-25ESB	1-1/2 1-9/16	40	49.2	184	137	54	17	22	19	99	49.2	19	M12	2.26
SSUCP209ESB 209-26ESB 209-27ESB 209-28ESB	1-5/8 1-11/16 1-3/4	45	54	190	146	54	17	22	20	108	49.2	19	M12	2.76
SSUCP210ESB 210-30ESB 210-31ESB 210-32ESB	1-7/8 1-15/16 2	50	57.2	206	159	60	20	25	22	112	51.6	19	M16	3.31
SSUCP211ESB 211-32ESB 211-34ESB 211-35ESB	2 2-1/8 2-3/16	55	63.5	219	171	60	20	25	23	124	55.6	22.2	M16	3.98
SSUCP212ESB 212-36ESB 212-38ESB 212-39ESB	2-1/4 2-3/8 2-7/16	60	69.9	238	184	70	20	25	25	137	65.1	25.4	M16	5.42

Notes: 1. Grease fittings also available at 90° positions.

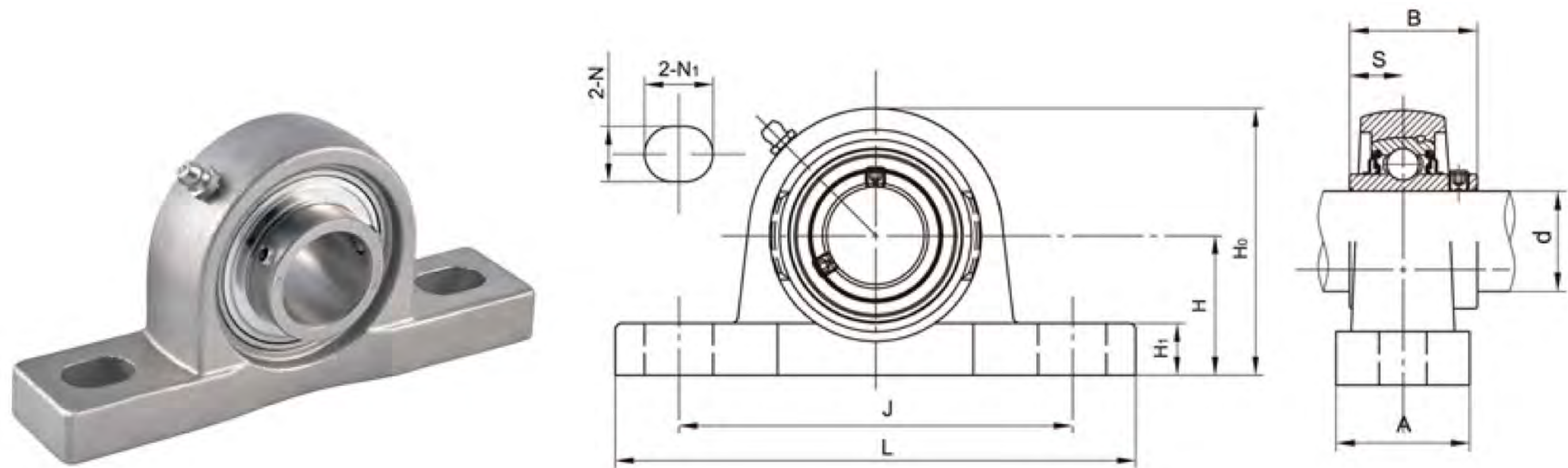
2. Upon request, available with plastic close cap(CC) or open cap(OC) at one end or both ends.

Ordering example: SSUCP204-12ESB CC.

3. Lubricated with food grade grease.

# LDK<sup>®</sup> All Stainless Steel Bearing Units

SSUCP..A All stainless steel pillow blocks and inch-based housing, Setscrew locking



•Solid Base

Unit No.	Shaft Dia		Dimensions(mm)										Bolt Size (mm)	Weight (kg)
	d (in)	d (mm)	H	L	J	A	N	N <sub>1</sub>	H <sub>1</sub>	H <sub>0</sub>	B	S		
SSUCP204A 204-12A	3/4	20	33.3	127	95	30	13	19	14	64	31	12.7	M10	0.71
SSUCP205A 205-14A 205-15A 205-16A	7/8 15/16 1	25	36.5	140	105	30	13	19	15	70	34.1	14.3	M10	0.82
SSUCP206A 206-17A 206-18A 206-19A 206-20A	1-1/16 1-1/8 1-3/16 1-1/4	30	42.9	165	121	36	17	21	16	82	38.1	15.9	M12	1.31
SSUCP207A 207-20A 207-21A 207-22A 207-23A	1-1/4 1-5/16 1-3/8 1-7/16	35	47.6	167	127	38	17	21	17	92	42.9	17.5	M12	1.65
SSUCP208A 208-24A 208-25A	1-1/2 1-9/16	40	49.2	184	137	40	17	21	18	98	49.2	19	M12	2.00
SSUCP209A 209-26A 209-27A 209-28A	1-5/8 1-11/16 1-3/4	45	54	190	146	40	17	21	20	105	49.2	19	M12	2.26
SSUCP210A 210-30A 210-31A 210-32A	1-7/8 1-15/16 2	50	57.2	206	159	45	20	22	22	112	51.6	19	M16	2.80
SSUCP211A 211-32A 211-34A 211-35A	2 2-1/8 2-3/16	55	63.5	218	171	50	20	22	22	126	55.6	22.2	M16	3.83
SSUCP212A 212-36A 212-38A 212-39A	2-1/4 2-3/8 2-7/16	60	69.9	238	184	60	20	25	25	137	65.1	25.4	M16	5.33

Notes: 1. Grease fittings also available at 90° positions.

2. Upon request, available with plastic close cap(CC) or open cap(OC) at one end or both ends.

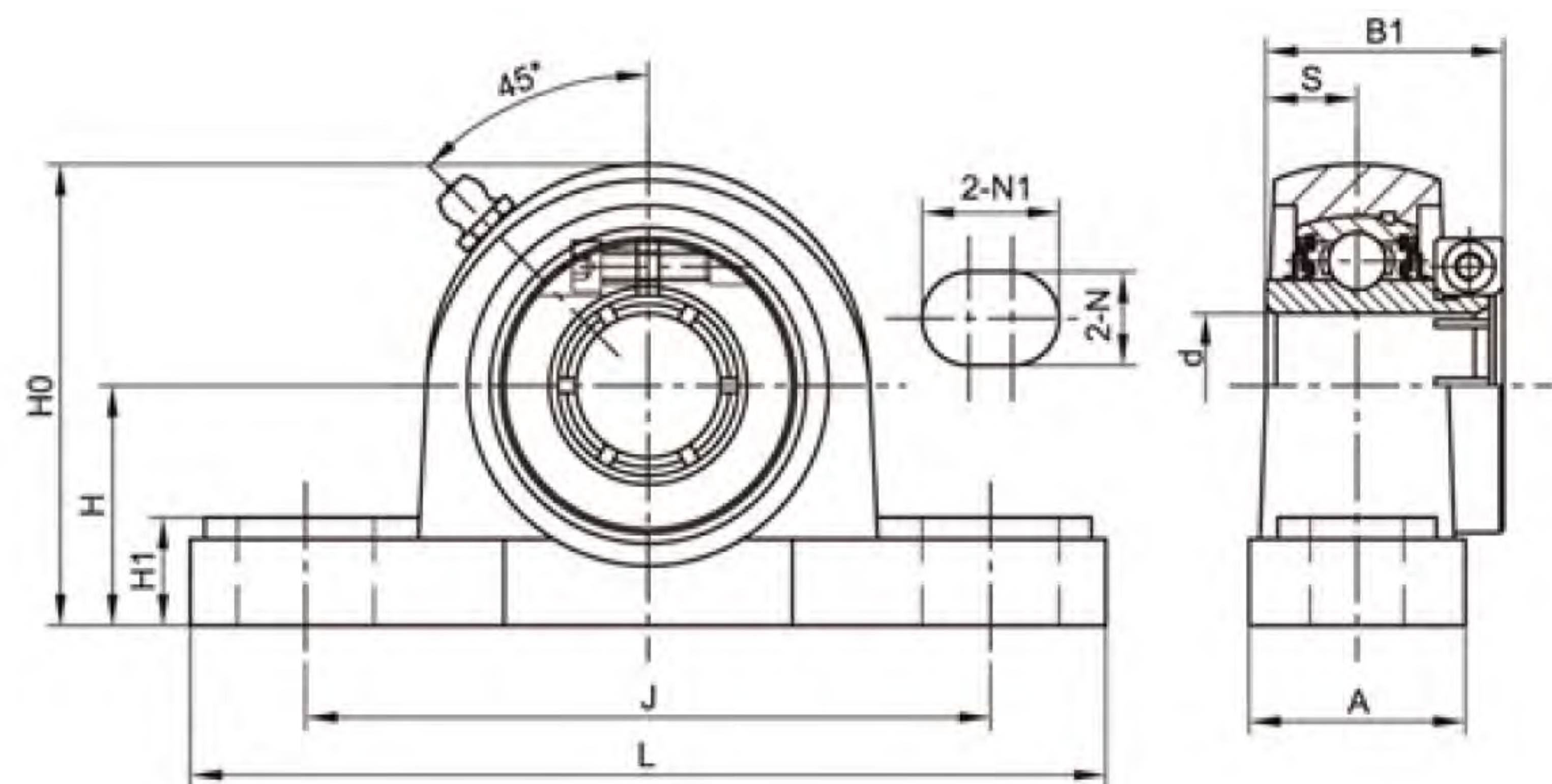
Ordering example: SSUCP204-12A CC.

3. Hand polishing surface housing available upon request. Ordering example: SSUCP204-12A HP.

4. Lubricated with food grade grease.

# All Stainless Steel Bearing Units **LDK**<sup>®</sup>

**SSUEP..ESB All stainless steel pillow blocks, Solid base housing, Concentric locking**



Unit No.	Shaft Dia		Dimensions(mm)										Bolt Size (mm)	Weight (kg)
	d (in)	d (mm)	H	L	J	A	N	N <sub>1</sub>	H <sub>1</sub>	H <sub>0</sub>	B <sub>1</sub>	S		
SSUEP204ESB 204-12ESB	3/4	20	33.3	127	95	38	13	19	15	64	33	12.7	M10	0.81
SSUEP205ESB 205-14ESB 205-15ESB 205-16ESB	7/8 15/16 1	25	36.5	140	105	38	13	19	16.5	70	35.4	14.3	M10	0.98
SSUEP206ESB 206-17ESB 206-18ESB 206-19ESB 206-20ESB	1-1/16 1-1/8 1-3/16 1-1/4	30	42.9	165	121	48	17	21	18	82	39.8	15.9	M12	1.53
SSUEP207ESB 207-20ESB 207-21ESB 207-22ESB 207-23ESB	1-1/4 1-5/16 1-3/8 1-7/16	35	47.6	167	127	48	17	21	19	92	43.9	17.5	M12	2.03
SSUEP208ESB 208-24ESB 208-25ESB	1-1/2 1-9/16	40	49.2	184	137	54	17	22	19	99	50.2	19	M12	2.38
SSUEP209ESB 209-26ESB 209-27ESB 209-28ESB	1-5/8 1-11/16 1-3/4	45	54	190	146	54	17	22	20	108	50.2	19	M12	2.83
SSUEP210ESB 210-30ESB 210-31ESB 210-32ESB	1-7/8 1-15/16 2	50	57.2	206	159	60	20	25	22	112	52.6	19	M16	3.39
SSUEP211ESB 211-32ESB 211-34ESB 211-35ESB	2 2-1/8 2-3/16	55	63.5	219	171	60	20	25	23	124	56.6	22.2	M16	4.06
SSUEP212ESB 212-36ESB 212-38ESB 212-39ESB	2-1/4 2-3/8 2-7/16	60	69.9	238	184	70	20	25	25	137	66.6	25.4	M16	5.68

Notes: 1. Grease fittings also available at 90° positions.

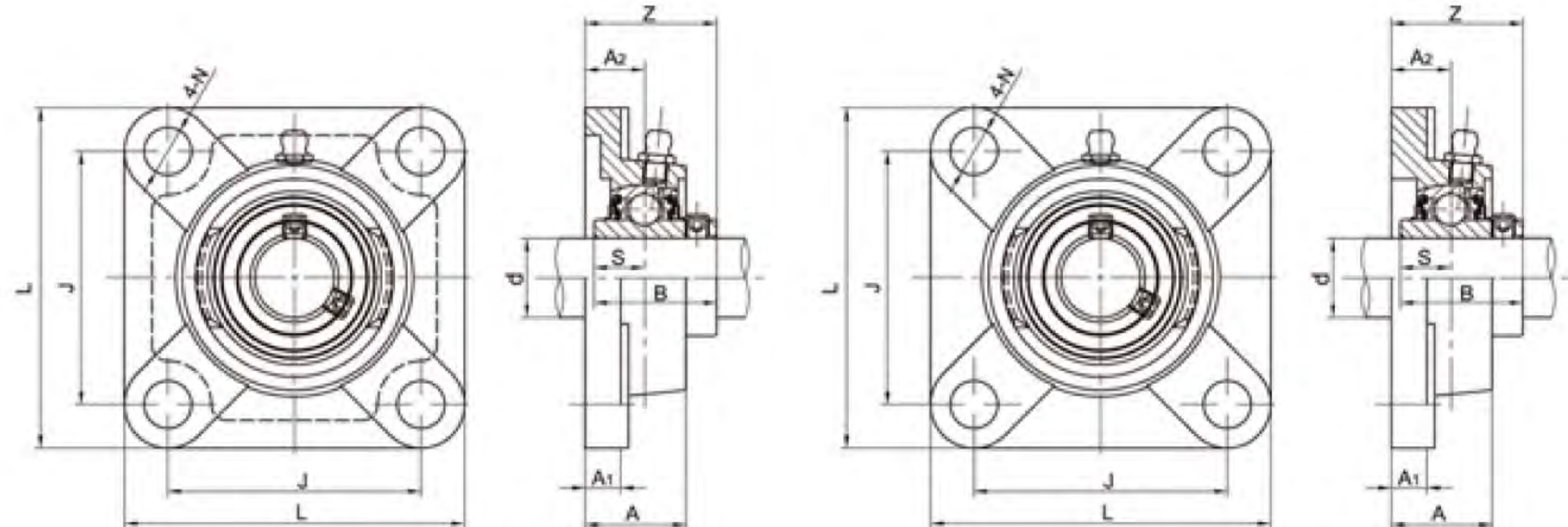
2. Upon request, available with plastic close cap(CC) or open cap(OC) at one end or both ends.

Ordering example: SSUEP204-12ESB CC.

3. Lubricated with food grade grease.

# LDK<sup>®</sup> All Stainless Steel Bearing Units

SSUCF..EHB/ESB All stainless steel flange units 4-bolt,Hollow/Solid base,Setscrew locking



• SSUCF200EHB (Hollow Base)

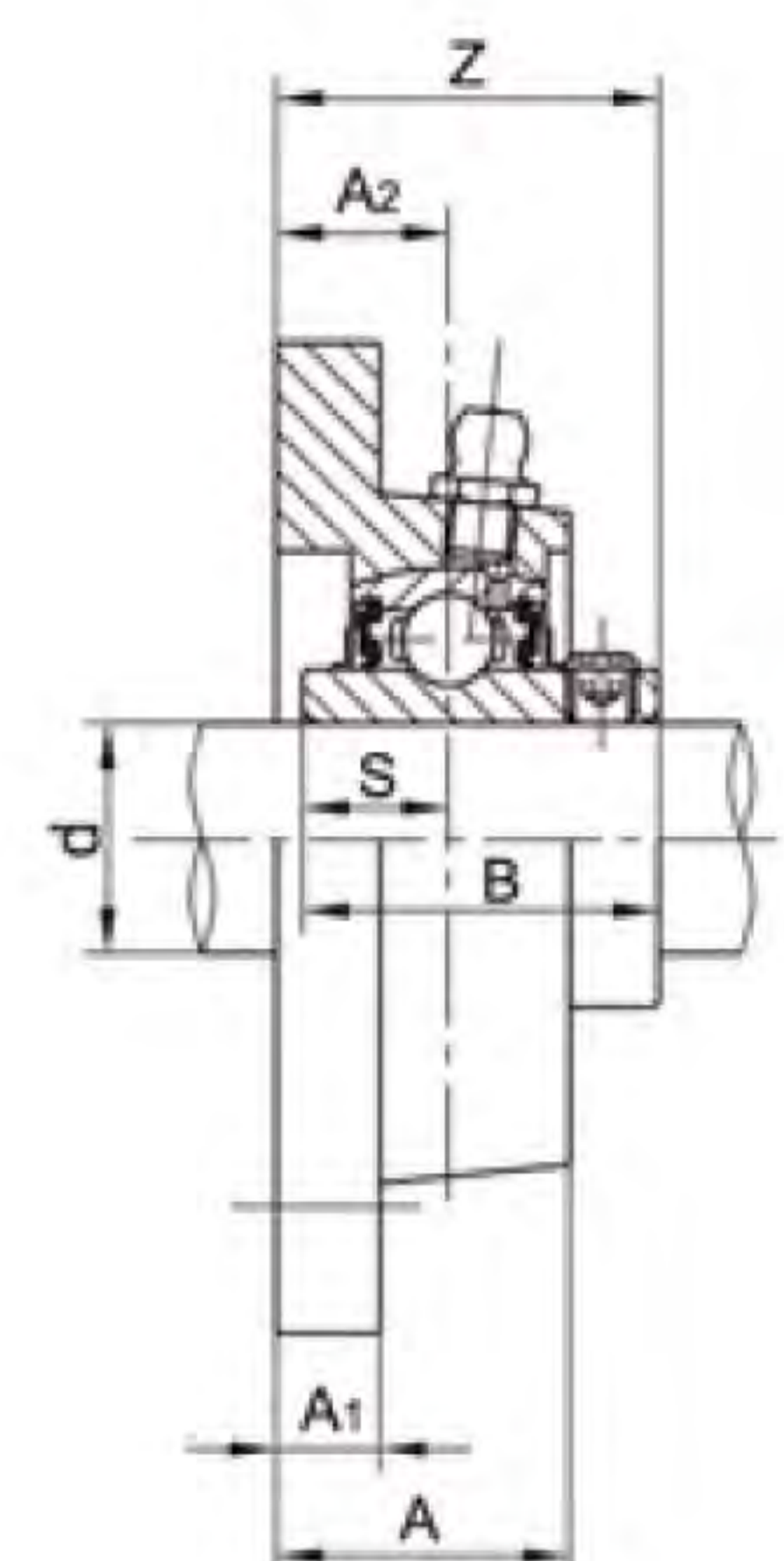
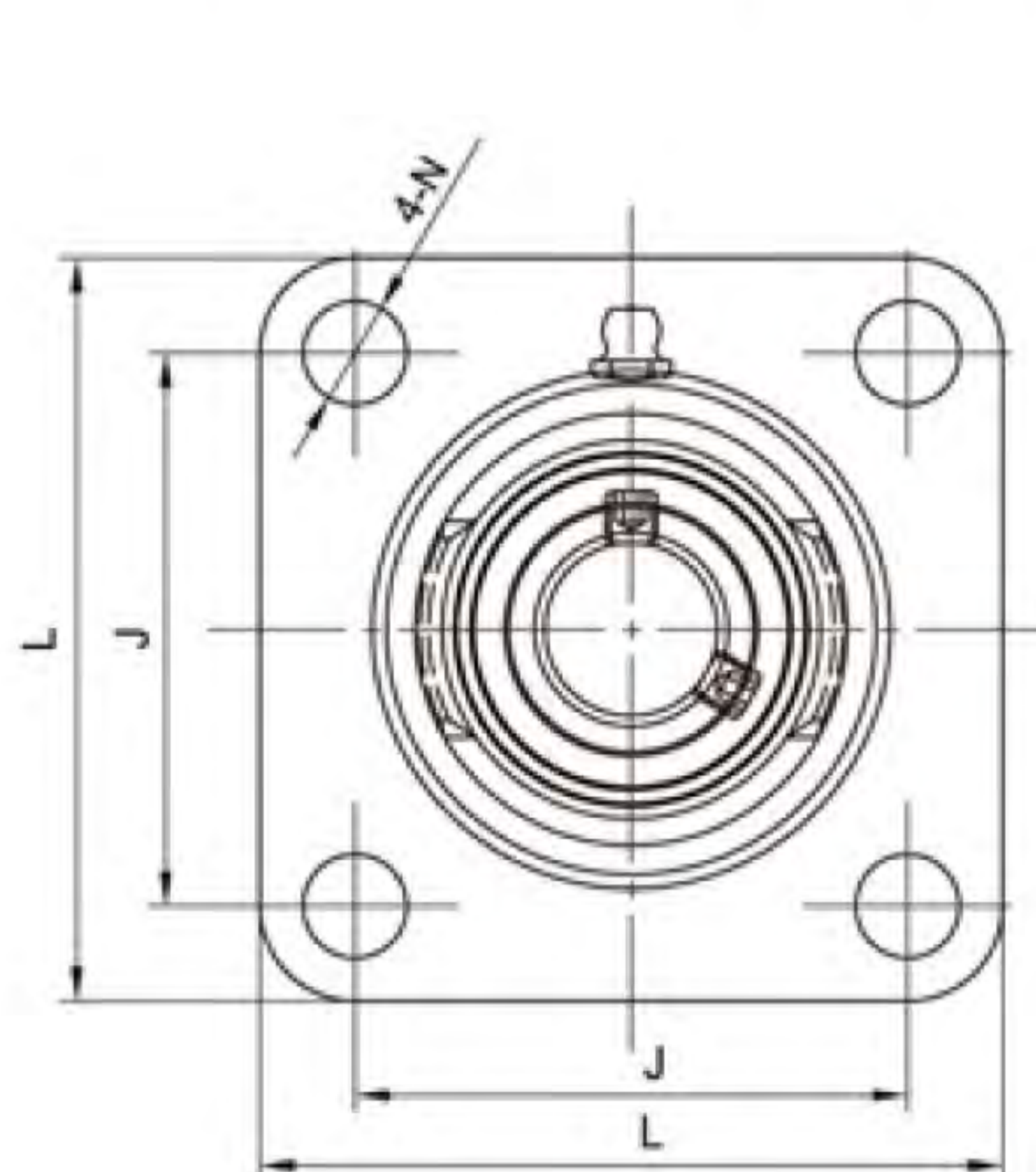
• SSUCF200ESB (Solid Base)

Unit No.		Shaft Dia		Dimensions(mm)									Bolt Size (mm)	Weight (kg)
Hollow Base Housing	Solid Base Housing	d		L	J	A <sub>2</sub>	A <sub>1</sub>	A	N	Z	B	S		
		(in)	(mm)											
SSUCF204EHB 204-12EHB	SSUCF204ESB 204-12ESB	3/4	20	86	64	15	12	25.5	12	33.3	31	12.7	M10	0.71
SSUCF205EHB 205-14EHB 205-15EHB 205-16EHB	SSUCF205ESB 205-14ESB 205-15ESB 205-16ESB	7/8 15/16 1	25	95	70	16	14.3	27	12	35.8	34.1	14.3	M10	0.96
SSUCF206EHB 206-17EHB 206-18EHB 206-19EHB 206-20EHB	SSUCF206ESB 206-17ESB 206-18ESB 206-19ESB 206-20ESB	1-1/16 1-1/8 1-3/16 1-1/4	30	108	83	18	14	31	12	40.2	38.1	15.9	M14	1.33
SSUCF207EHB 207-20EHB 207-21EHB 207-22EHB 207-23EHB	SSUCF207ESB 207-20ESB 207-21ESB 207-22ESB 207-23ESB	1-1/4 1-5/16 1-3/8 1-7/16	35	117	92	19	15.9	34	14	44.4	42.9	17.5	M14	1.79
SSUCF208EHB 208-24EHB 208-25EHB	SSUCF208ESB 208-24ESB 208-25ESB	1-1/2 1-9/16	40	130	102	21	15.9	36	16	51.2	49.2	19	M14	2.16
SSUCF209EHB 209-26EHB 209-27EHB 209-28EHB	SSUCF209ESB 209-26ESB 209-27ESB 209-28ESB	1-5/8 1-11/16 1-3/4	45	137	105	22	16.7	38	16	52.2	49.2	19	M14	2.65
SSUCF210EHB 210-30EHB 210-31EHB 210-32EHB	SSUCF210ESB 210-30ESB 210-31ESB 210-32ESB	1-7/8 1-15/16 2	50	143	111	22	15.9	40	16	54.6	51.6	19	M16	2.92
SSUCF211EHB 211-32EHB 211-34EHB 211-35EHB	SSUCF211ESB 211-32ESB 211-34ESB 211-35ESB	2 2-1/8 2-3/16	55	162	130	25	18	43	19	58.4	55.6	22.2	M16	4.13
SSUCF212EHB 212-36EHB 212-38EHB 212-39EHB	SSUCF212ESB 212-36ESB 212-38ESB 212-39ESB	2-1/4 2-3/8 2-7/16	60	175	143	29	18	48	19	68.7	65.1	25.4	M16	5.15

Notes: 1. Upon request, available with plastic close cap(CC) or open cap(OC) at one end. Ordering example SSUCF204-12ESB CC.  
 2. Back seal is available when mounted with narrow inner ring SSB/SSA inserts.  
 3. Lubricated with food grade grease.

# All Stainless Steel Bearing Units **LDK**<sup>®</sup>

**SSUCF..A All stainless steel flange 4-bolt and inch-based housing, Setscrew locking**



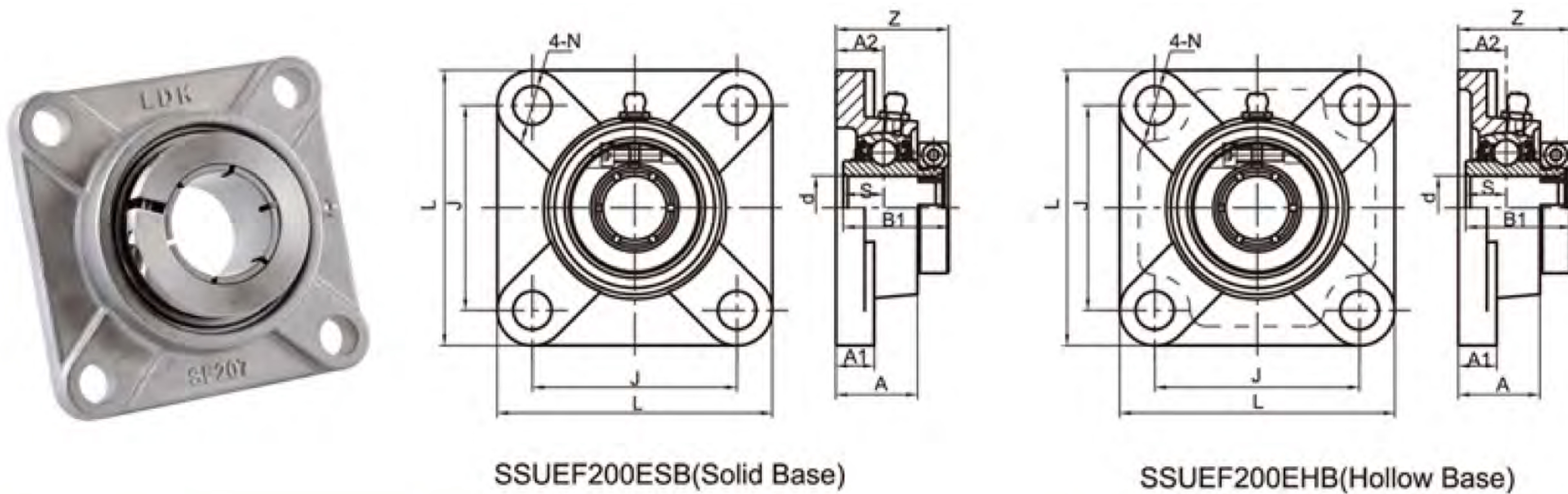
• Solid Base

Unit No.	Shaft Dia		Dimensions(mm)									Bolt Size (mm)	Weight (kg)
	d		L	J	A <sub>2</sub>	A <sub>1</sub>	A	N	Z	B	S		
	(in)	(mm)											
SSUCF204A 204-12A	3/4	20	86	64	15	11	25.5	12	33.3	31	12.7	M10	0.71
SSUCF205A 205-14A 205-15A 205-16A	7/8 15/16 1	25	95	70	16	13	28	12	35.8	34.1	14.3	M10	0.97
SSUCF206A 206-17A 206-18A 206-19A 206-20A	1-1/16 1-1/8 1-3/16 1-1/4	30	108	83	18	13	31	12	40.2	38.1	15.9	M10	1.41
SSUCF207A 207-20A 207-21A 207-22A 207-23A	1-1/4 1-5/16 1-3/8 1-7/16	35	117	92	19	15	34	14	44.4	42.9	17.5	M12	1.86
SSUCF208A 208-24A 208-25A	1-1/2 1-9/16	40	130	102	21	15	36	16	51.2	49.2	19	M14	2.30
SSUCF209A 209-26A 209-27A 209-28A	1-5/8 1-11/16 1-3/4	45	137	105	22	16	38	16	52.2	49.2	19	M14	2.71
SSUCF210A 210-30A 210-31A 210-32A	1-7/8 1-15/16 2	50	143	111	22	16	40	16	54.6	51.6	19	M14	2.93
SSUCF211A 211-32A 211-34A 211-35A	2 2-1/8 2-3/16	55	162	130	25	18	43	19	58.4	55.6	22.2	M16	4.13
SSUCF212A 212-36A 212-38A 212-39A	2-1/4 2-3/8 2-7/16	60	175	143	29	18	48	19	68.7	65.1	25.4	M16	5.51

- Notes: 1. Upon request, available with plastic close cap(CC) or open cap(OC) at one end. Ordering example SSUCF204-12A CC.  
 2. Back seal is available when mounted with narrow inner ring SSB/SSA inserts.  
 3. Hand polishing surface housing available upon request. Ordering example SSUCF204-12A HP.  
 4. Lubricated with food grade grease.

# LDK<sup>®</sup> All Stainless Steel Bearing Units

SSUEF..EHB/ESB All stainless steel 4-bolt flange, Hollow/Solid base housing, Concentric locking



SSUEF200ESB(Solid Base)

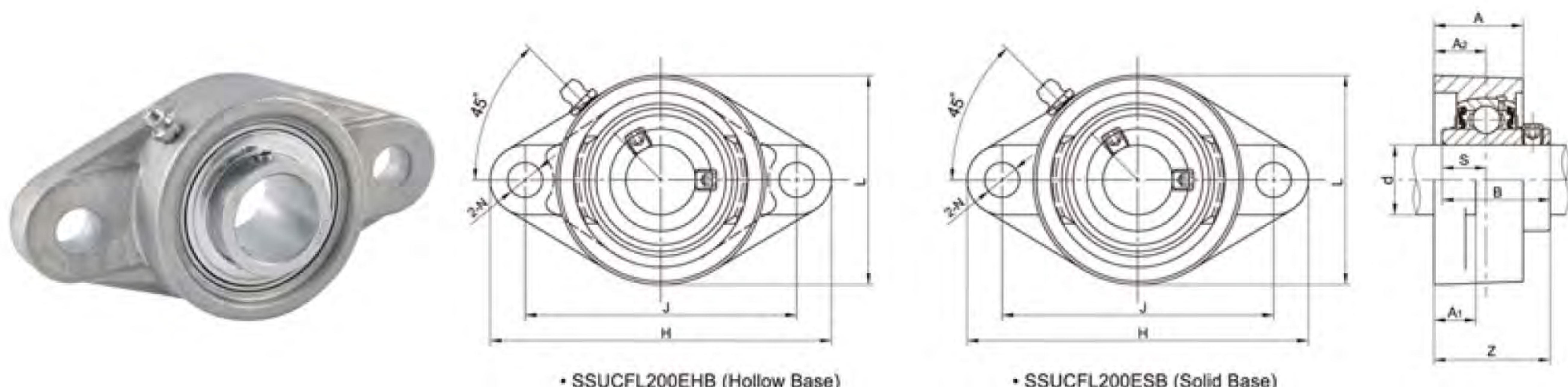
SSUEF200EHB(Hollow Base)

Unit No.		Shaft Dia		Dimensions(mm)									Bolt Size (mm)	Weight (kg)
Hollow Base Housing	Solid Base Housing	d		L	J	A <sub>2</sub>	A <sub>1</sub>	A	N	Z	B <sub>1</sub>	S		
		(in)	(mm)											
SSUEF204EHB 204-12EHB	SSUEF204ESB 204-12ESB	3/4	20	86	64	15	12	25.5	12	35.3	33	12.7	M10	0.72
SSUEF205EHB 205-14EHB 205-15EHB 205-16EHB	SSUEF205ESB 205-14ESB 205-15ESB 205-16ESB	7/8 15/16 1	25	95	70	16	14.3	27	12	37.1	35.4	14.3	M10	0.99
SSUEF206EHB 206-17EHB 206-18EHB 206-19EHB 206-20EHB	SSUEF206ESB 206-17ESB 206-18ESB 206-19ESB 206-20ESB	1-1/16 1-1/8 1-3/16 1-1/4	30	108	83	18	14	31	12	41.9	39.8	15.9	M14	1.33
SSUEF207EHB 207-20EHB 207-21EHB 207-22EHB 207-23EHB	SSUEF207ESB 207-20ESB 207-21ESB 207-22ESB 207-23ESB	1-1/4 1-5/16 1-3/8 1-7/16	35	117	92	19	15.9	34	14	43.4	43.9	17.5	M14	1.81
SSUEF208EHB 208-24EHB 208-25EHB	SSUEF208ESB 208-24ESB 208-25ESB	1-1/2 1-9/16	40	130	102	21	15.9	36	16	52.2	50.2	19	M14	2.2
SSUEF209EHB 209-26EHB 209-27EHB 209-28EHB	SSUEF209ESB 209-26ESB 209-27ESB 209-28ESB	1-5/8 1-11/16 1-3/4	45	137	105	22	16.7	38	16	53.2	50.2	19	M14	2.72
SSUEF210EHB 210-30EHB 210-31EHB 210-32EHB	SSUEF210ESB 210-30ESB 210-31ESB 210-32ESB	1-7/8 1-15/16 2	50	143	111	22	15.9	40	16	55.6	52.6	19	M16	2.96
SSUEF211EHB 211-32EHB 211-34EHB 211-35EHB	SSUEF211ESB 211-32ESB 211-34ESB 211-35ESB	2 2-1/8 2-3/16	55	162	130	25	18	43	19	59.4	56.6	22.2	M16	4.21
SSUEF212EHB 212-36EHB 212-38EHB 212-39EHB	SSUEF212ESB 212-36ESB 212-38ESB 212-39ESB	2-1/4 2-3/8 2-7/16	60	175	143	29	18	48	19	70.2	66.6	25.4	M16	5.23

Notes: 1. Upon request, available with plastic close cap(CC) or open cap(OC) at one end. Ordering example SSUEF204-12ESB CC.  
2. Lubricated with food grade grease.

# All Stainless Steel Bearing Units **LDK**<sup>®</sup>

**SSUCFL..EHB/ESB** All stainless steel flange units 2-bolt,Hollow/Solid base,Setscrew locking



• SSUCFL200EHB (Hollow Base)

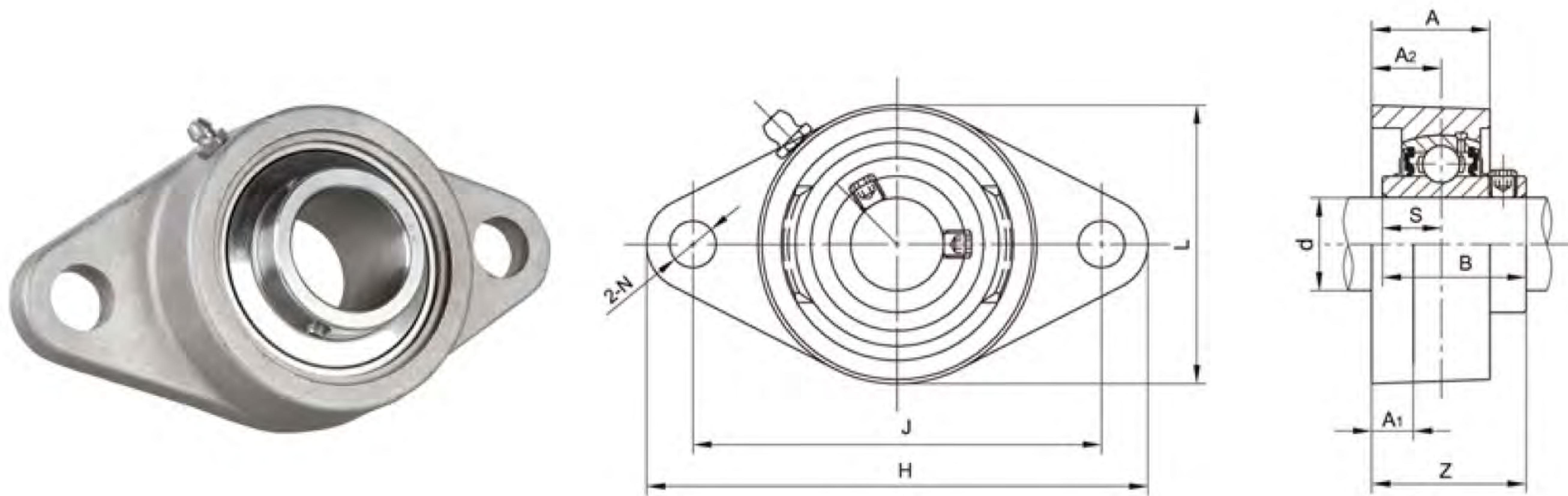
• SSUCFL200ESB (Solid Base)

Unit No.		Shaft Dia		Dimensions(mm)										Bolt Size (mm)	Weight (kg)
Hollow Base Housing	Solid Base Housing	d		H	J	A <sub>2</sub>	A <sub>1</sub>	A	N	L	Z	B	S		
		(in)	(mm)												
SSUCFL204EHB 204-12EHB	SSUCFL204ESB 204-12ESB	3/4	20	113	90	15	11.5	27	10.5	60	33.3	31	12.7	M8	0.50
SSUCFL205EHB 205-14EHB 205-15EHB 205-16EHB	SSUCFL205ESB 205-14ESB 205-15ESB 205-16ESB	7/8 15/16 1	25	130	99	16	13	28	12.5	68	35.8	34.1	14.3	M10	0.69
SSUCFL206EHB 206-17EHB 206-18EHB 206-19EHB 206-20EHB	SSUCFL206ESB 206-17ESB 206-18ESB 206-19ESB 206-20ESB	1-1/16 1-1/8 1-3/16 1-1/4	30	148	117	18	13	31	12.5	79	40.2	38.1	15.9	M10	0.99
SSUCFL207EHB 207-20EHB 207-21EHB 207-22EHB 207-23EHB	SSUCFL207ESB 207-20ESB 207-21ESB 207-22ESB 207-23ESB	1-1/4 1-5/16 1-3/8 1-7/16	35	161	130	19	14.3	34	14	90	44.4	42.9	17.5	M12	1.37
SSUCFL208EHB 208-24EHB 208-25EHB	SSUCFL208ESB 208-24ESB 208-25ESB	1-1/2 1-9/16	40	171	144	21	14.3	36	14	100	51.2	49.2	19	M12	1.65
SSUCFL209EHB 209-26EHB 209-27EHB 209-28EHB	SSUCFL209ESB 209-26ESB 209-27ESB 209-28ESB	1-5/8 1-11/16 1-3/4	45	179	148	22	15	38	16	108	52.2	49.2	19	M14	2.36
SSUCFL210EHB 210-30EHB 210-31EHB 210-32EHB	SSUCFL210ESB 210-30ESB 210-31ESB 210-32ESB	1-7/8 1-15/16 2	50	195	157	22	15	40	16	115	54.6	51.6	19	M14	2.51
SSUCFL211EHB 211-32EHB 211-34EHB 211-35EHB	SSUCFL211ESB 211-32ESB 211-34ESB 211-35ESB	2 2-1/8 2-3/16	55	224	184	25	18	43	19	130	58.4	55.6	22.2	M16	3.61
SSUCFL212EHB 212-36EHB 212-38EHB 212-39EHB	SSUCFL212ESB 212-36ESB 212-38ESB 212-39ESB	2-1/4 2-3/8 2-7/16	60	250	202	29	18	48	23	140	68.7	65.1	25.4	M16	4.19

Notes: 1.Upon request,available with plastic close cap(CC) or open cap(OC) at one end. Ordering example SSUCFL204-12ESB CC.  
2.Back seal is available when mounted with narrow inner ring SSB/SSA inserts.  
3.Lubricated with food grade grease.

# LDK<sup>®</sup> All Stainless Steel Bearing Units

SSUCFL..A All stainless steel flange units 2-bolt and inch-based housing, Setscrew locking



• Solid Based

Unit No.	Shaft Dia		Dimensions(mm)										Bolt Size (mm)	Weight (kg)
	d		H	J	A <sub>2</sub>	A <sub>1</sub>	A	N	L	Z	B	S		
	(in)	(mm)												
SSUCFL204A 204-12A	3/4	20	113	90	15	11	27	12	60	33.3	31	12.7	M10	0.50
SSUCFL205A 205-14A 205-15A 205-16A	7/8 15/16 1	25	130	99	16	13	28	12.5	68	35.8	34.1	14.3	M14	0.71
SSUCFL206A 206-17A 206-18A 206-19A 206-20A	1-1/16 1-1/8 1-3/16 1-1/4	30	148	117	18	13	31	12.5	79	40.2	38.1	15.9	M14	1.04
SSUCFL207A 207-20A 207-21A 207-22A 207-23A	1-1/4 1-5/16 1-3/8 1-7/16	35	161	130	19	14	34	14	90	44.4	42.9	17.5	M14	1.38
SSUCFL208A 208-24A 208-25A	1-1/2 1-9/16	40	175	144	21	15	36	14	100	51.2	49.2	19	M14	1.73
SSUCFL209A 209-26A 209-27A 209-28A	1-5/8 1-11/16 1-3/4	45	187	148	22	16	38	16	108	52.2	49.2	19	M16	2.07
SSUCFL210A 210-30A 210-31A 210-32A	1-7/8 1-15/16 2	50	195	157	22	16	40	16	115	54.6	51.6	19	M16	2.47

Notes: 1. Upon request, available with plastic close cap(CC) or open cap(OC) at one end. Ordering example SSUCFL204-12A CC.

2. Back seal is available when mounted with narrow inner ring SSB/SSA inserts.

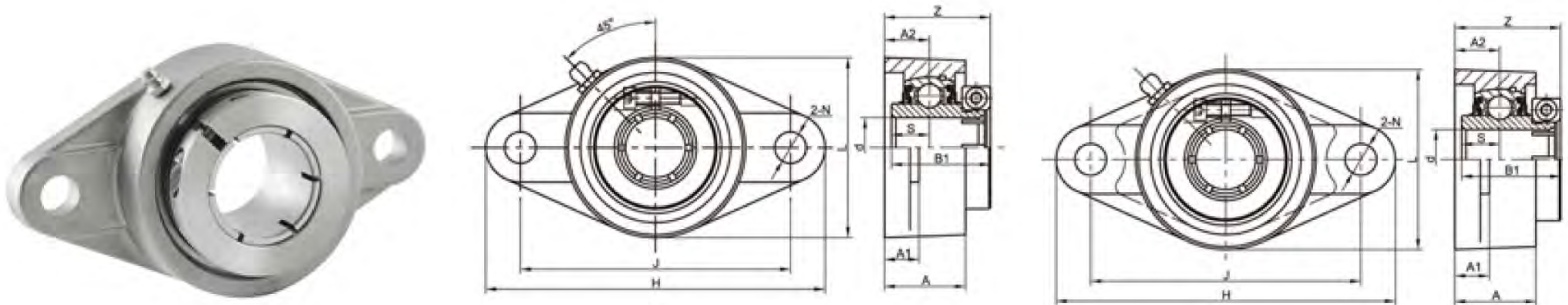
3. Hand polishing surface housing available upon request. Ordering example SSUCFL204-12A HP

4. Lubricated with food grade grease.



# All Stainless Steel Bearing Units **LDK**<sup>®</sup>

**SSUEFL..EHB/ESB All stainless steel 2-bolt flange, Hollow/Solid base housing, Concentric locking**



SSUEFL200ESB(Solid Base)

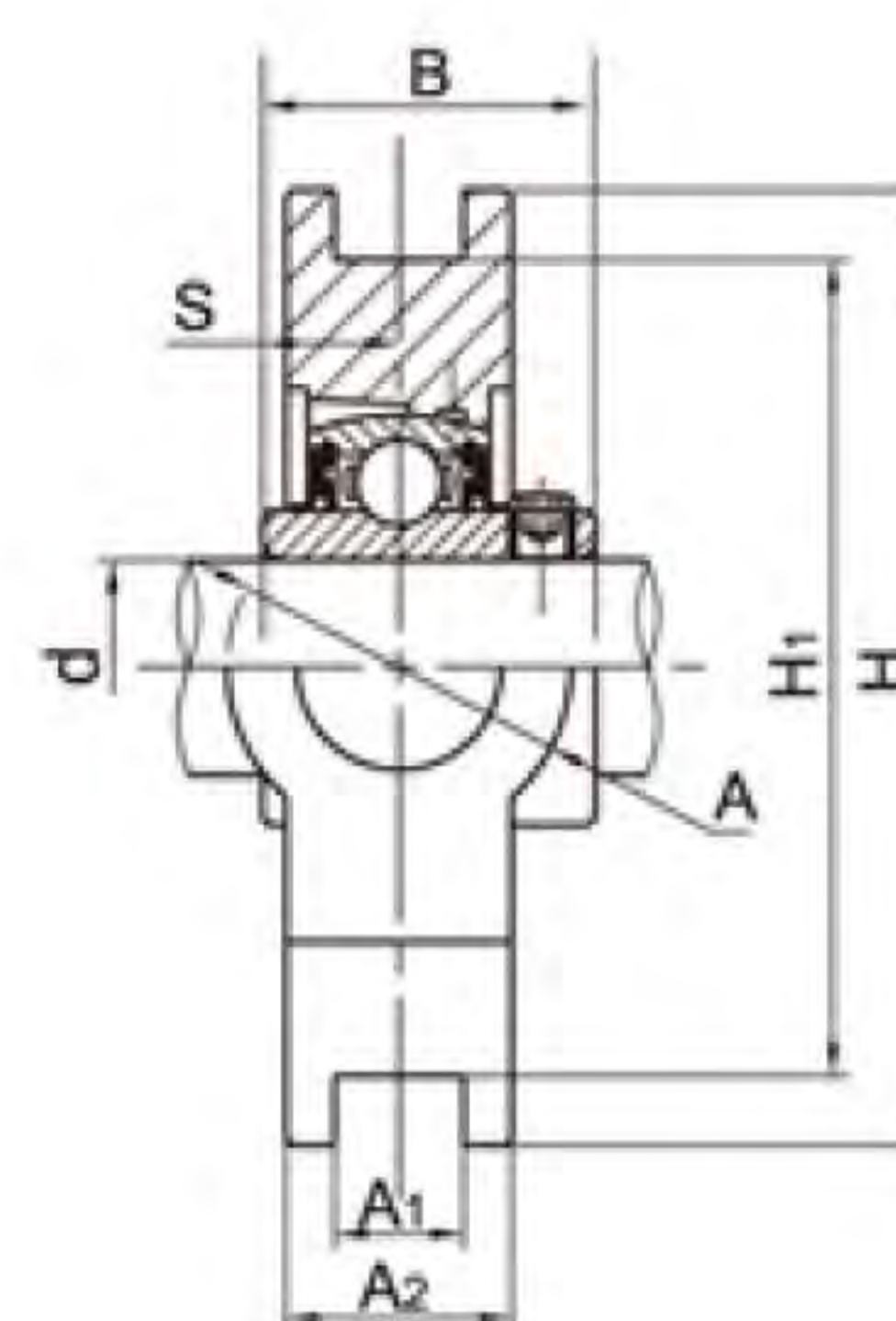
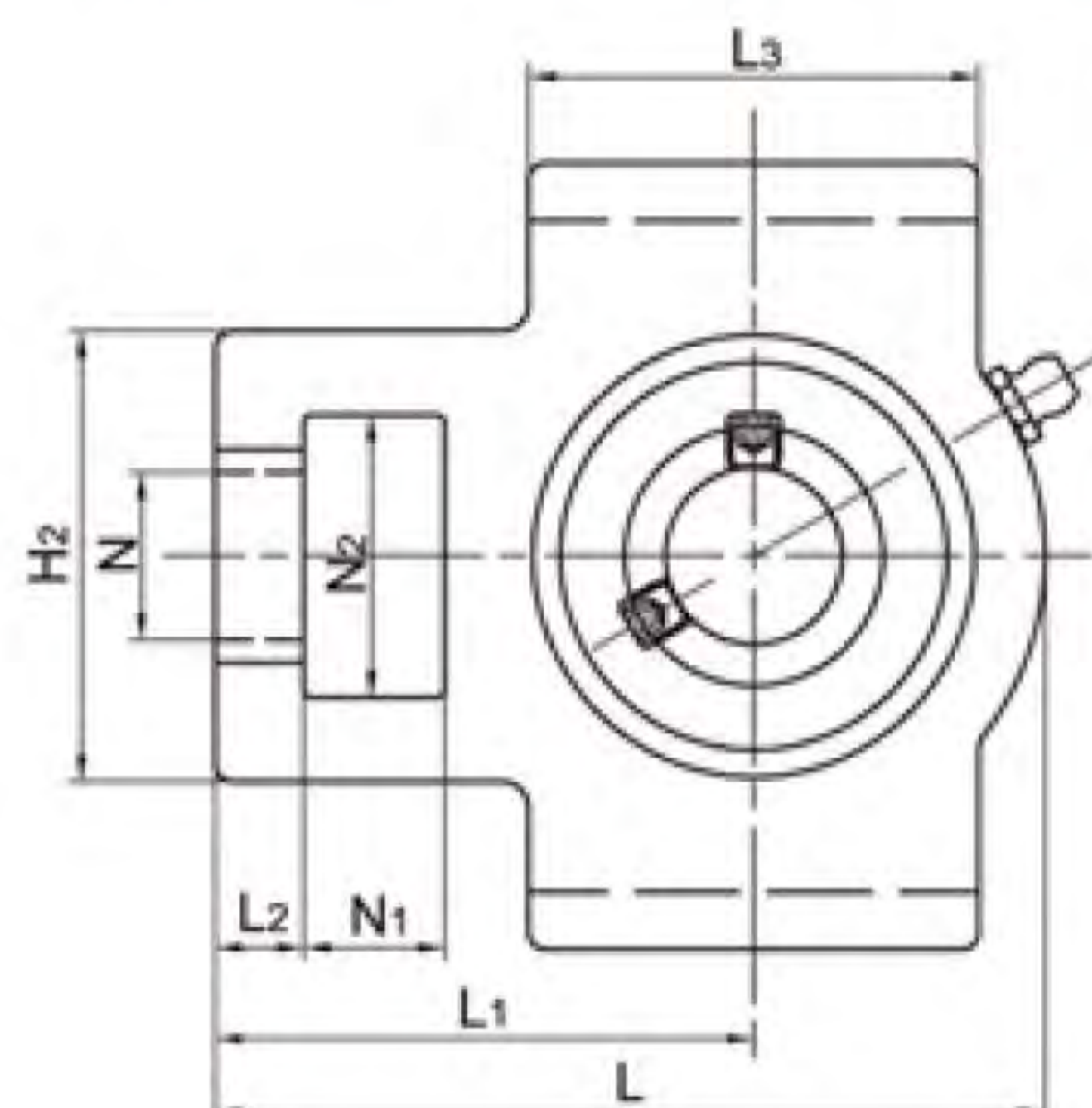
SSUEFL200EHB(Hollow Base)

Unit No.		Shaft Dia		Dimensions(mm)										Bolt Size (mm)	Weight (kg)
Hollow Base Housing	Solid Base Housing	d		H	J	A <sub>2</sub>	A <sub>1</sub>	A	N	L	Z	B <sub>1</sub>	S		
		(in)	(mm)												
SSUEFL204EHB 204-12EHB	SSUEFL204ESB 204-12ESB	3/4	20	113	90	15	11.5	27	10.5	60	35.3	33	12.7	M8	0.52
SSUEFL205EHB 205-14EHB 205-15EHB 205-16EHB	SSUEFL205ESB 205-14ESB 205-15ESB 205-16ESB	7/8 15/16 1	25	130	99	16	13	28	12.5	68	37.1	35.4	14.3	M10	0.72
SSUEFL206EHB 206-17EHB 206-18EHB 206-19EHB 206-20EHB	SSUEFL206ESB 206-17ESB 206-18ESB 206-19ESB 206-20ESB	1-1/16 1-1/8 1-3/16 1-1/4	30	148	117	18	13	31	12.5	79	41.9	39.8	15.9	M10	0.99
SSUEFL207EHB 207-20EHB 207-21EHB 207-22EHB 207-23EHB	SSUEFL207ESB 207-20ESB 207-21ESB 207-22ESB 207-23ESB	1-1/4 1-5/16 1-3/8 1-7/16	35	161	130	19	14.3	34	14	90	43.4	43.9	17.5	M12	1.39
SSUEFL208EHB 208-24EHB 208-25EHB	SSUEFL208ESB 208-24ESB 208-25ESB	1-1/2 1-9/16	40	171	144	21	14.3	36	14	100	52.2	50.2	19	M12	1.68
SSUEFL209EHB 209-26EHB 209-27EHB 209-28EHB	SSUEFL209ESB 209-26ESB 209-27ESB 209-28ESB	1-5/8 1-11/16 1-3/4	45	179	148	22	15	38	16	108	53.2	50.2	19	M14	2.43
SSUEFL210EHB 210-30EHB 210-31EHB 210-32EHB	SSUEFL210ESB 210-30ESB 210-31ESB 210-32ESB	1-7/8 1-15/16 2	50	195	157	22	15	40	16	115	55.6	52.6	19	M14	2.56
SSUEFL211EHB 211-32EHB 211-34EHB 211-35EHB	SSUEFL211ESB 211-32ESB 211-34ESB 211-35ESB	2 2-1/8 2-3/16	55	224	184	25	18	43	19	130	59.4	56.6	22.2	M16	3.69
SSUEFL212EHB 212-36EHB 212-38EHB 212-39EHB	SSUEFL212ESB 212-36ESB 212-38ESB 212-39ESB	2-1/4 2-3/8 2-7/16	60	250	202	29	18	48	23	140	70.2	66.6	25.4	M16	4.27

Notes: 1. Upon request, available with plastic close cap(CC) or open cap(OC) at one end. Ordering example SSUEFL204-12ESB CC.  
2. Lubricated with food grade grease.

# LDK<sup>®</sup> All Stainless Steel Bearing Units

SSUCT All stainless steel take up units, Setscrew locking

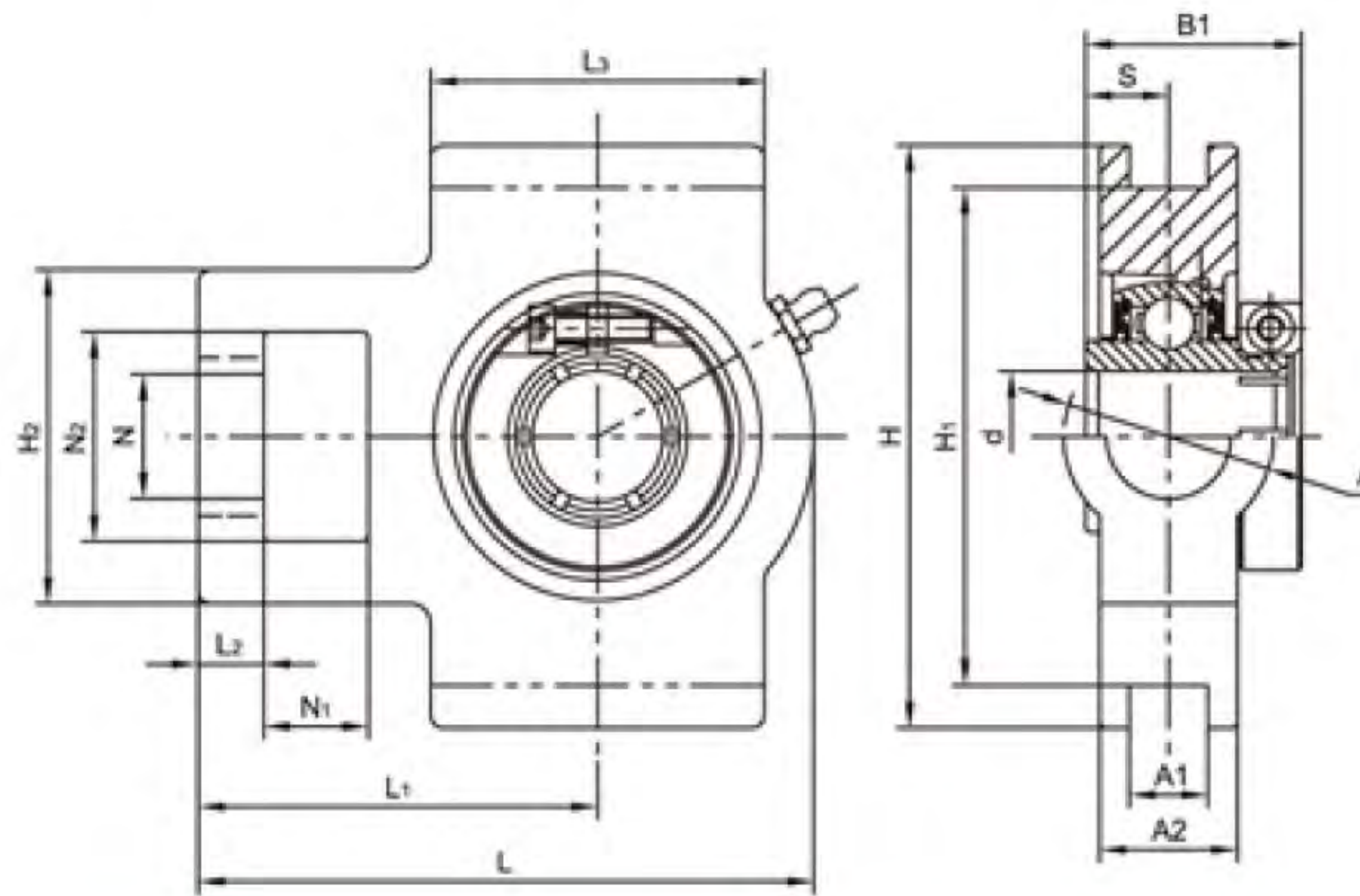


Unit No.	Shaft Dia		Dimensions(mm)															Weight (kg)
	d		N1	L2	H2	N2	N	L3	A1	H1	H	L	A	A2	L1	B	S	
	(in)	(mm)																
SSUCT204		20	16	10	51	32	19	51	12	76	89	94	32	21	61	31	12.7	0.79
SSUCT204-12	3/4																	
SSUCT205		25																
SSUCT205-14	7/8																	
SSUCT205-15	15/16		16	10	51	32	19	51	12	76	89	97	32	24	62	34.1	14.3	0.84
SSUCT205-16	1																	
SSUCT206		30																
SSUCT206-17	1-1/16																	
SSUCT206-18	1-1/8		16	10	56	37	22	57	12	89	102	113	37	28	70	38.1	15.9	1.32
SSUCT206-19	1-3/16																	
SSUCT206-20	1-1/4																	
SSUCT207		35																
SSUCT207-20	1-1/4																	
SSUCT207-21	1-5/16		16	13	64	37	22	64	12	89	102	129	37	30	78	42.9	17.5	1.72
SSUCT207-22	1-3/8																	
SSUCT207-23	1-7/16																	
SSUCT208		40																
SSUCT208-24	1-1/2		19	16	83	49	29	83	16	102	114	144	49	33	88	49.2	19	2.52
SSUCT208-25	1-9/16																	
SSUCT209		45																
SSUCT209-26	1-5/8		19	16	83	49	29	83	16	102	117	144	49	35	87	49.2	19	2.52
SSUCT209-27	1-11/16																	
SSUCT209-28	1-3/4																	
SSUCT210		50																
SSUCT210-30	1-7/8		19	16	83	49	29	86	16	102	117	149	49	37	90	51.6	19	2.69
SSUCT210-31	1-15/16																	
SSUCT210-32	2																	
SSUCT211		55																
SSUCT211-32	2		25	19	102	64	35	95	22	130	146	171	64	38	106	55.6	22.2	4.04
SSUCT211-34	2-1/8																	
SSUCT211-35	2-3/16																	
SSUCT212		60																
SSUCT212-36	2-1/4		32	19	102	64	35	102	22	130	146	194	64	42	119	65.1	25.4	5.00
SSUCT212-38	2-3/8																	
SSUCT212-39	2-7/16																	

Notes: 1. Upon request, available with plastic close cap(CC) or open cap(OC) at one end. Ordering example SSUCT204-12 CC.  
2. Lubricated with food grade grease.

# All Stainless Steel Bearing Units **LDK**<sup>®</sup>

## SSUET All stainless steel take up units, Concentric locking

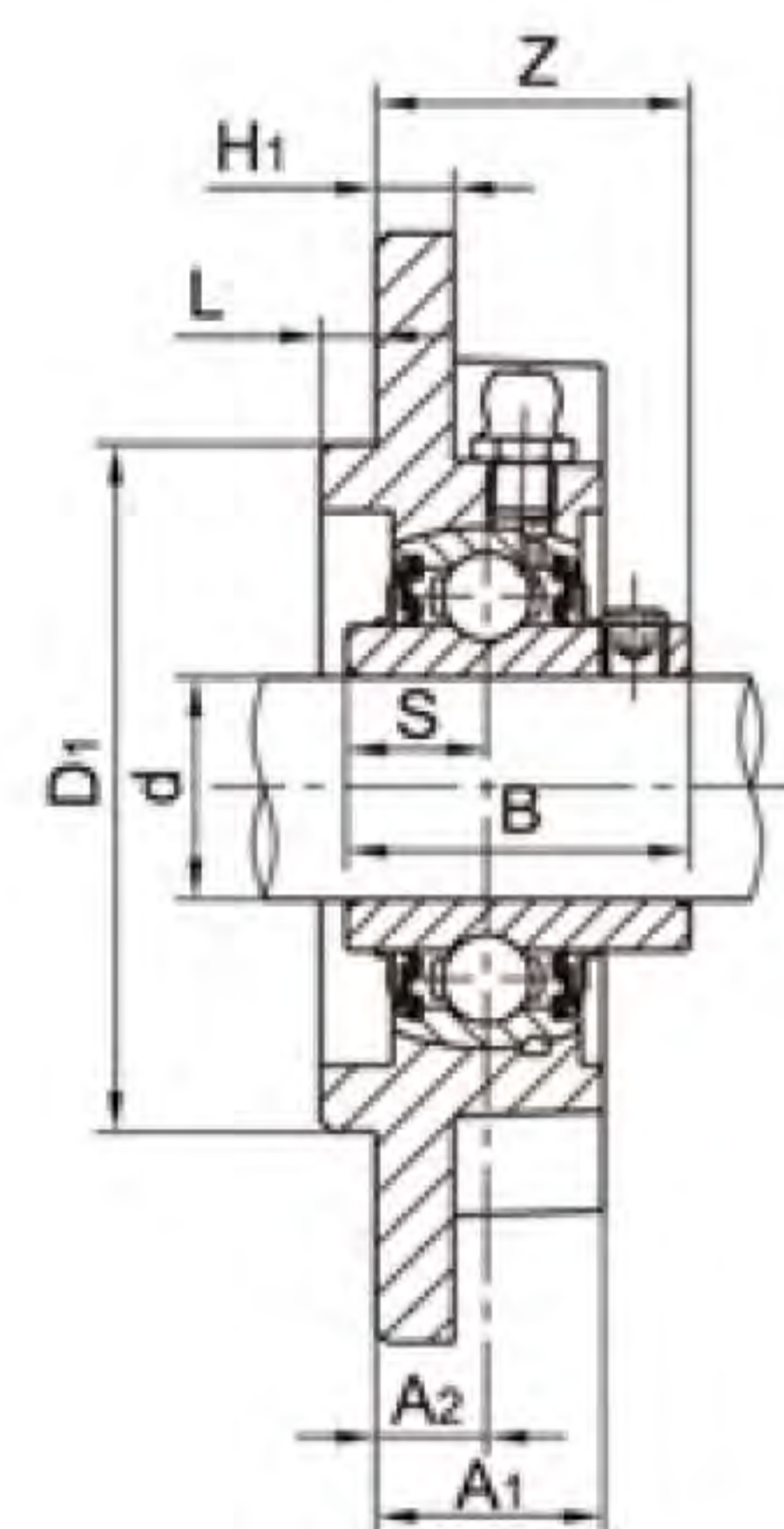
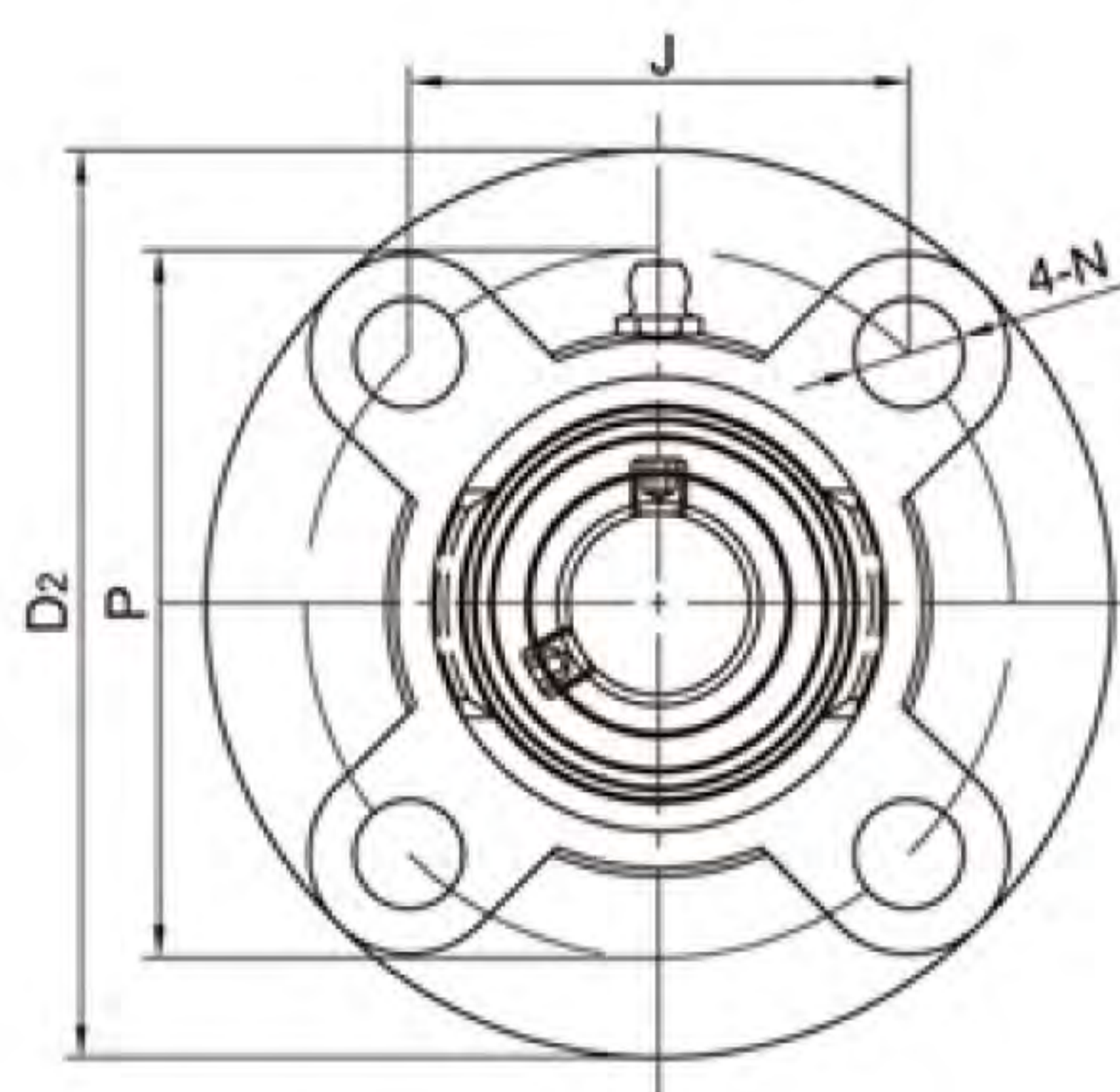


Unit No.	Shaft Dia		Dimensions(mm)															Weight (kg)
	d		N <sub>1</sub>	L <sub>2</sub>	H <sub>2</sub>	N <sub>2</sub>	N	L <sub>3</sub>	A <sub>1</sub>	H <sub>1</sub>	H	L	A	A <sub>2</sub>	L <sub>1</sub>	B <sub>1</sub>	S	
	(in)	(mm)																
SSUET204 SSUET204-12	3/4	20	16	10	51	32	19	51	12	76	89	94	32	21	61	33	12.7	0.82
SSUET205 SSUET205-14 SSUET205-15 SSUET205-16	7/8 15/16 1	25	16	10	51	32	19	51	12	76	89	97	32	24	62	35.4	14.3	0.89
SSUET206 SSUET206-17 SSUET206-18 SSUET206-19 SSUET206-20	1-1/16 1-1/8 1-3/16 1-1/4	30	16	10	56	37	22	57	12	89	102	113	37	28	70	39.8	15.9	1.38
SSUET207 SSUET207-20 SSUET207-21 SSUET207-22 SSUET207-23	1-1/4 1-5/16 1-3/8 1-7/16	35	16	13	64	37	22	64	12	89	102	129	37	30	78	43.9	17.5	1.75
SSUET208 SSUET208-24 SSUET208-25	1-1/2 1-9/16	40	19	16	83	49	29	83	16	102	114	144	49	33	88	50.2	19	2.55
SSUET209 SSUET209-26 SSUET209-27 SSUET209-28	1-5/8 1-11/16 1-3/4	45	19	16	83	49	29	83	16	102	117	144	49	35	87	50.2	19	2.57
SSUET210 SSUET210-30 SSUET210-31 SSUET210-32	1-7/8 1-15/16 2	50	19	16	83	49	29	86	16	102	117	149	49	37	90	52.6	19	2.74
SSUET211 SSUET211-32 SSUET211-34 SSUET211-35	2 2-1/8 2-3/16	55	25	19	102	64	35	95	22	130	146	171	64	38	106	56.6	22.2	4.12
SSUET212 SSUET212-36 SSUET212-38 SSUET212-39	2-1/4 2-3/8 2-7/16	60	32	19	102	64	35	102	22	130	146	194	64	42	119	66.6	25.4	5.08

Notes: 1. Upon request, available with plastic close cap(CC) or open cap(OC) at one end. Ordering example SSUET204-12 CC.  
2. Lubricated with food grade grease.

# LDK<sup>®</sup> All Stainless Steel Bearing Units

SSUCFC All stainless steel flange cartridge units, Setscrew locking

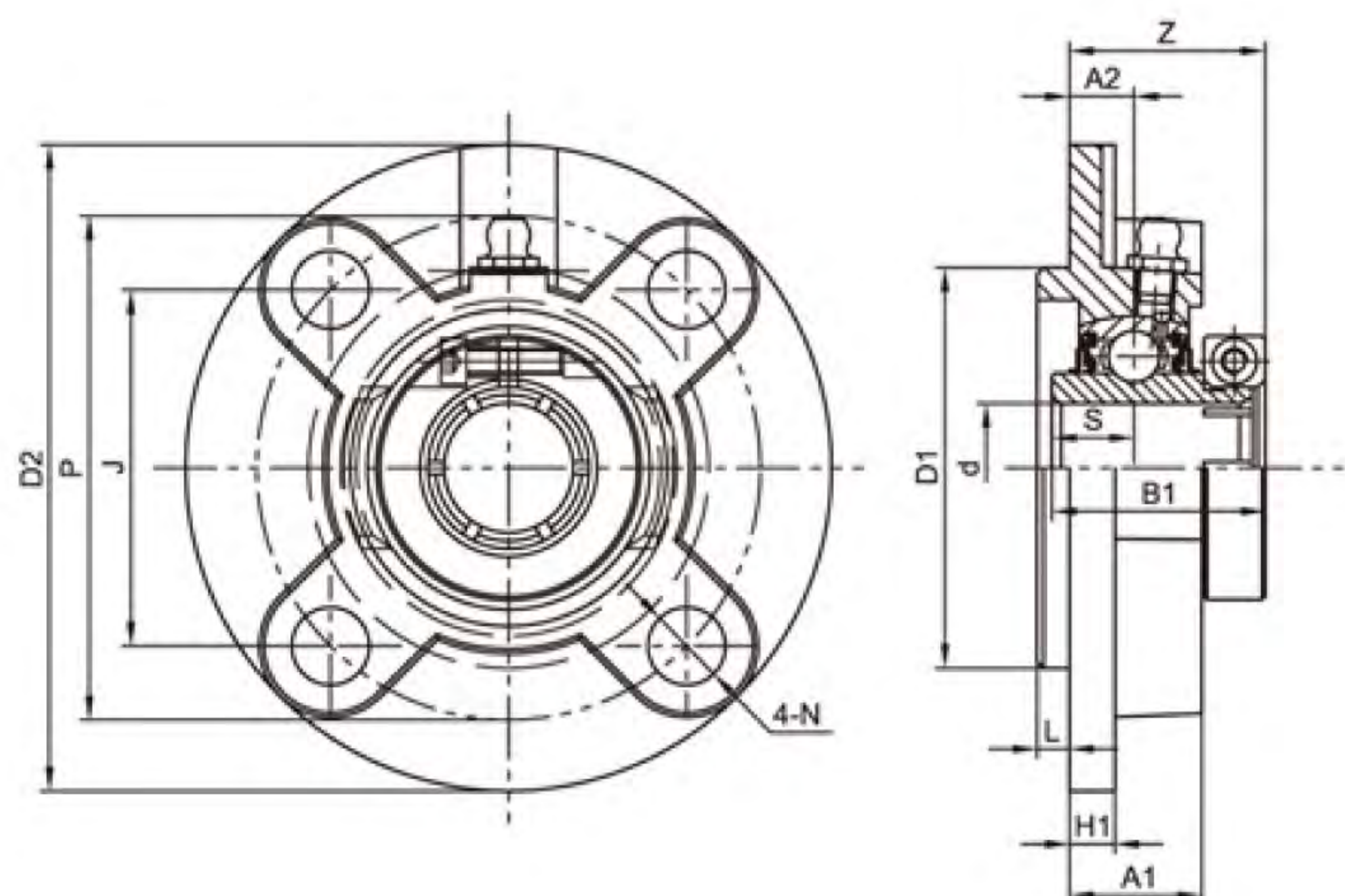


Unit No.	Shaft Dia		Dimensions(mm)											Bolt Size (mm)	Weight (kg)	
	d		D2	P	J	A2	N	L	H1	A1	D1	B	S			Z
	(in)	(mm)														
SSUCFC204 204-12	3/4	20	100	78	55.1	10	12	5	7	20.5	62	31	12.7	28.3	M10	0.77
SSUCFC205 205-14 205-15 205-16	7/8 15/16 1	25	115	90	63.6	10	12	6	7	21	70	34.1	14.3	29.7	M10	1.13
SSUCFC206 206-17 206-18 206-19 206-20	1-1/16 1-1/8 1-3/16 1-1/4	30	125	100	70.7	10	12	8	8	23	80	38.1	15.9	32.2	M10	1.47
SSUCFC207 207-20 207-21 207-22 207-23	1-1/4 1-5/16 1-3/8 1-7/16	35	135	110	77.8	11	14	8	9	26	90	42.9	17.5	36.4	M12	1.86
SSUCFC208 208-24 208-25	1-1/2 1-9/16	40	145	120	84.8	11	14	10	9	26	100	49.2	19	41.2	M12	2.17
SSUCFC209 209-26 209-27 209-28	1-5/8 1-11/16 1-3/4	45	160	132	93.3	10	16	12	10	26	105	49.2	19	40.2	M14	2.50
SSUCFC210 210-30 210-31 210-32	1-7/8 1-15/16 2	50	165	138	97.6	10	16	12	14	28	110	51.6	19	42.6	M14	2.95
SSUCFC211 211-32 211-34 211-35	2 2-1/8 2-3/16	55	185	150	106.1	13	19	12	13	30	125	55.6	22.2	46.4	M16	4.00
SSUCFC212 212-36 212-38 212-39	2-1/4 2-3/8 2-7/16	60	195	160	113.1	17	19	12	15	35	135	65.1	25.4	56.7	M16	4.90

Notes: 1. Upon request, available with plastic close cap(CC) or open cap(OC) at one end. Ordering example SSUCFC204-12 CC.  
2. Lubricated with food grade grease.

# All Stainless Steel Bearing Units **LDK**<sup>®</sup>

SSUEFC All stainless steel flange cartridge units, Concentric locking

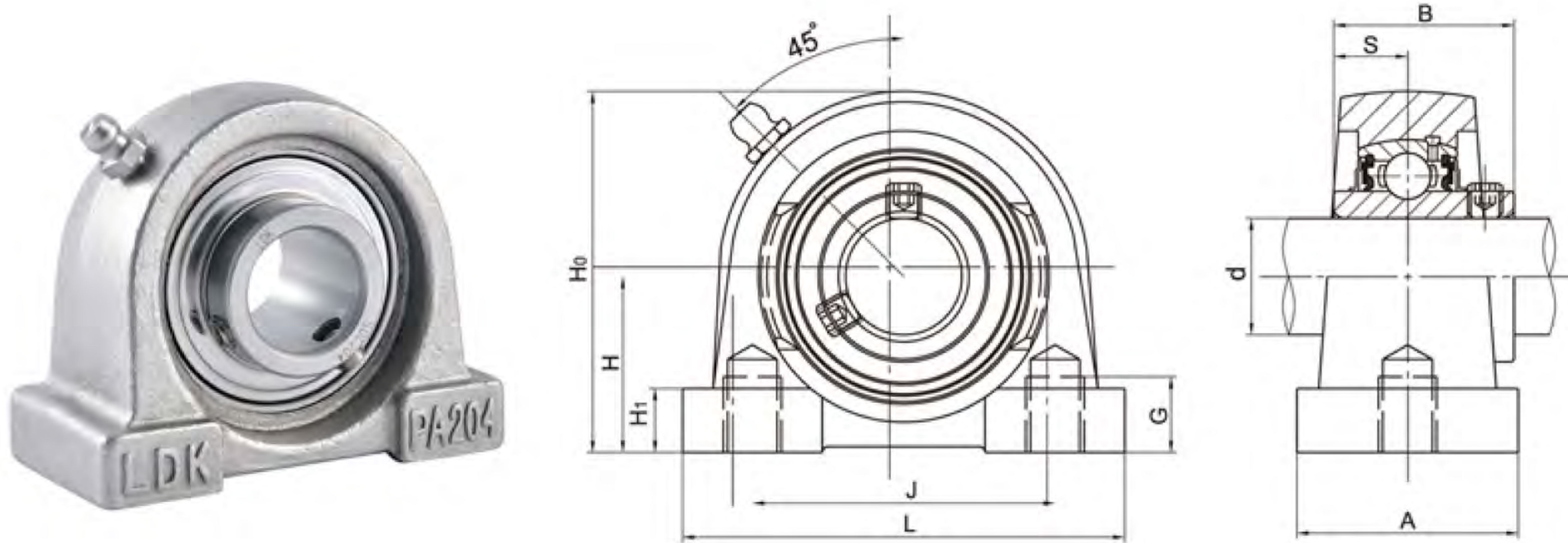


Unit No.	Shaft Dia		Dimensions(mm)												Bolt Size (mm)	Weight (kg)
	d		D2	P	J	A2	N	L	H1	A1	D1	B1	S	Z		
	(in)	(mm)														
SSUEFC204 204-12	3/4	20	100	78	55.1	10	12	5	7	20.5	62	33	12.7	30.3	M10	0.79
SSUEFC205 205-14 205-15 205-16	7/8 15/16 1	25	115	90	63.6	10	12	6	7	21	70	35.4	14.3	31	M10	1.16
SSUEFC206 206-17 206-18 206-19 206-20	1-1/16 1-1/8 1-3/16 1-1/4	30	125	100	70.7	10	12	8	8	23	80	39.8	15.9	33.9	M10	1.47
SSUEFC207 207-20 207-21 207-22 207-23	1-1/4 1-5/16 1-3/8 1-7/16	35	135	110	77.8	11	14	8	9	26	90	43.9	17.5	37.4	M12	1.88
SSUEFC208 208-24 208-25	1-1/2 1-9/16	40	145	120	84.8	11	14	10	9	26	100	50.2	19	42.2	M12	2.2
SSUEFC209 209-26 209-27 209-28	1-5/8 1-11/16 1-3/4	45	160	132	93.3	10	16	12	10	26	105	50.2	19	41.2	M14	2.57
SSUEFC210 210-30 210-31 210-32	1-7/8 1-15/16 2	50	165	138	97.6	10	16	12	14	28	110	52.6	19	43.6	M14	3
SSUEFC211 211-32 211-34 211-35	2 2-1/8 2-3/16	55	185	150	106.1	13	19	12	13	30	125	56.6	22.2	47.4	M16	4.08
SSUEFC212 212-36 212-38 212-39	2-1/4 2-3/8 2-7/16	60	195	160	113.1	17	19	12	15	35	135	66.6	25.4	58.2	M16	4.98

Notes: 1. Upon request, available with plastic close cap(CC) or open cap(OC) at one end. Ordering example SSUEFC204-12 CC  
2. Lubricated with food grade grease.

# LDK<sup>®</sup> All Stainless Steel Bearing Units

SSUCPA All stainless steel pillow blocks tapped base, Setscrew locking

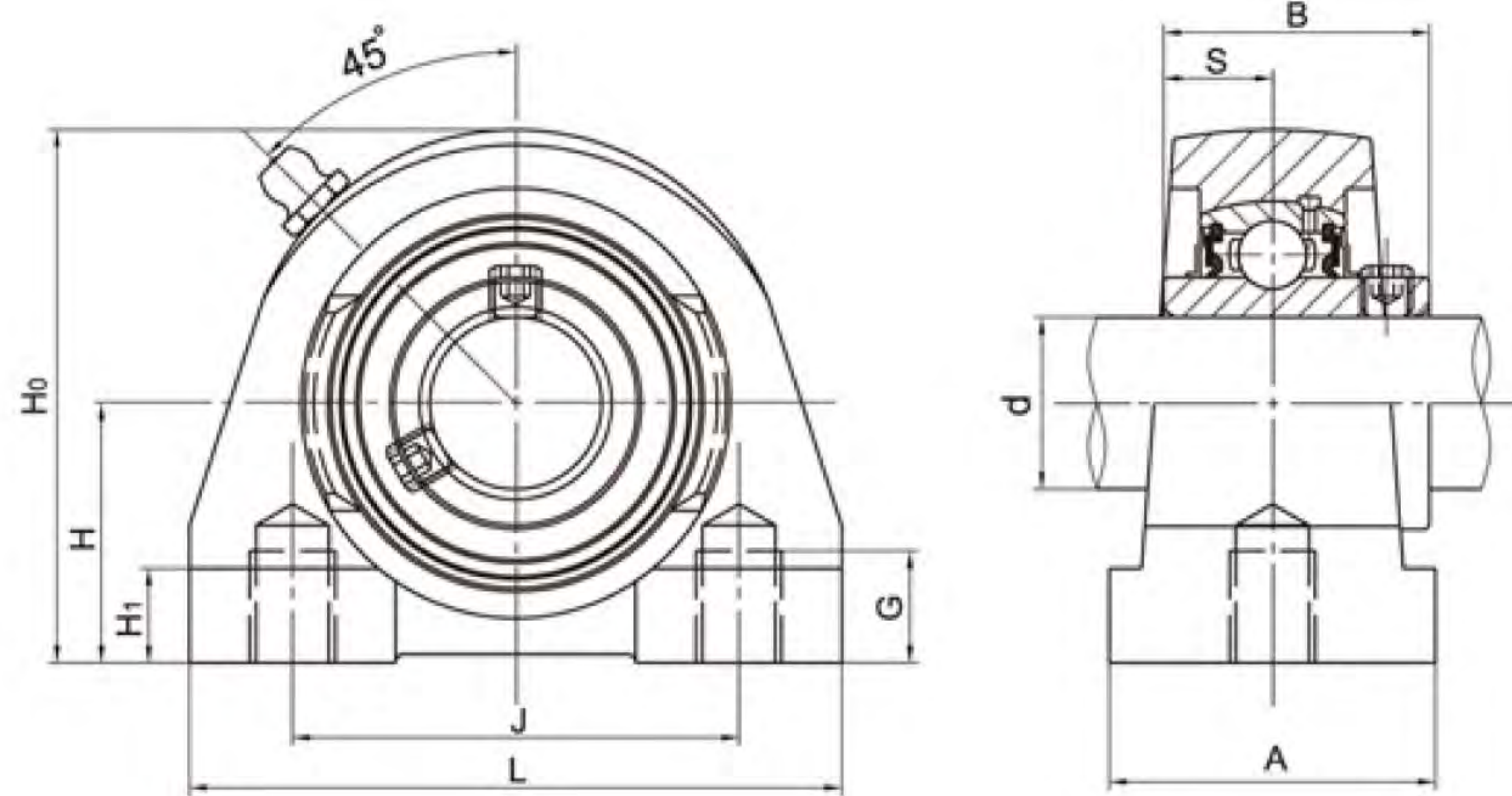


Unit No.	Shaft Dia		Dimensions(mm)									Bolt Size (mm)	Weight (kg)
	d		H	L	J	A	G	H1	H0	B	S		
	(in)	(mm)											
SSUCPA204 204-12	3/4	20	30.2	76	52	38	13	11	62	31.0	12.7	M10	0.62
SSUCPA205 205-14 205-15 205-16	7/8 15/16 1	25	36.5	84	56	38	15	12	72	34.1	14.3	M10	0.78
SSUCPA206 206-17 206-18 206-19 206-20	1-1/16 1-1/8 1-3/16 1-1/4	30	42.9	94	66	48	18	12	84	38.1	15.9	M14	1.24
SSUCPA207 207-20 207-21 207-22 207-23	1-1/4 1-5/16 1-3/8 1-7/16	35	47.6	110	80	48	20	13	95	42.9	17.5	M14	1.70
SSUCPA208 208-24 208-25	1-1/2 1-9/16	40	49.2	116	84	54	20	13	100	49.2	19.0	M14	1.90
SSUCPA209 209-26 209-27 209-28	1-5/8 1-11/16 1-3/4	45	54.2	120	90	54	25	13	108	49.2	19.0	M14	2.20
SSUCPA210 210-30 210-31 210-32	1-7/8 1-15/16 2	50	57.2	130	94	60	25	14	116	51.6	19.0	M16	2.60

Notes: 1. Upon request, available with plastic close cap(CC) or open cap(OC) at one end. Ordering example SSUCPA204-12 CC.  
2. Lubricated with food grade grease.

# All Stainless Steel Bearing Units **LDK**<sup>®</sup>

**SSUCPA..A** All stainless steel pillow blocks tapped base and inch-based housing, Setscrew locking

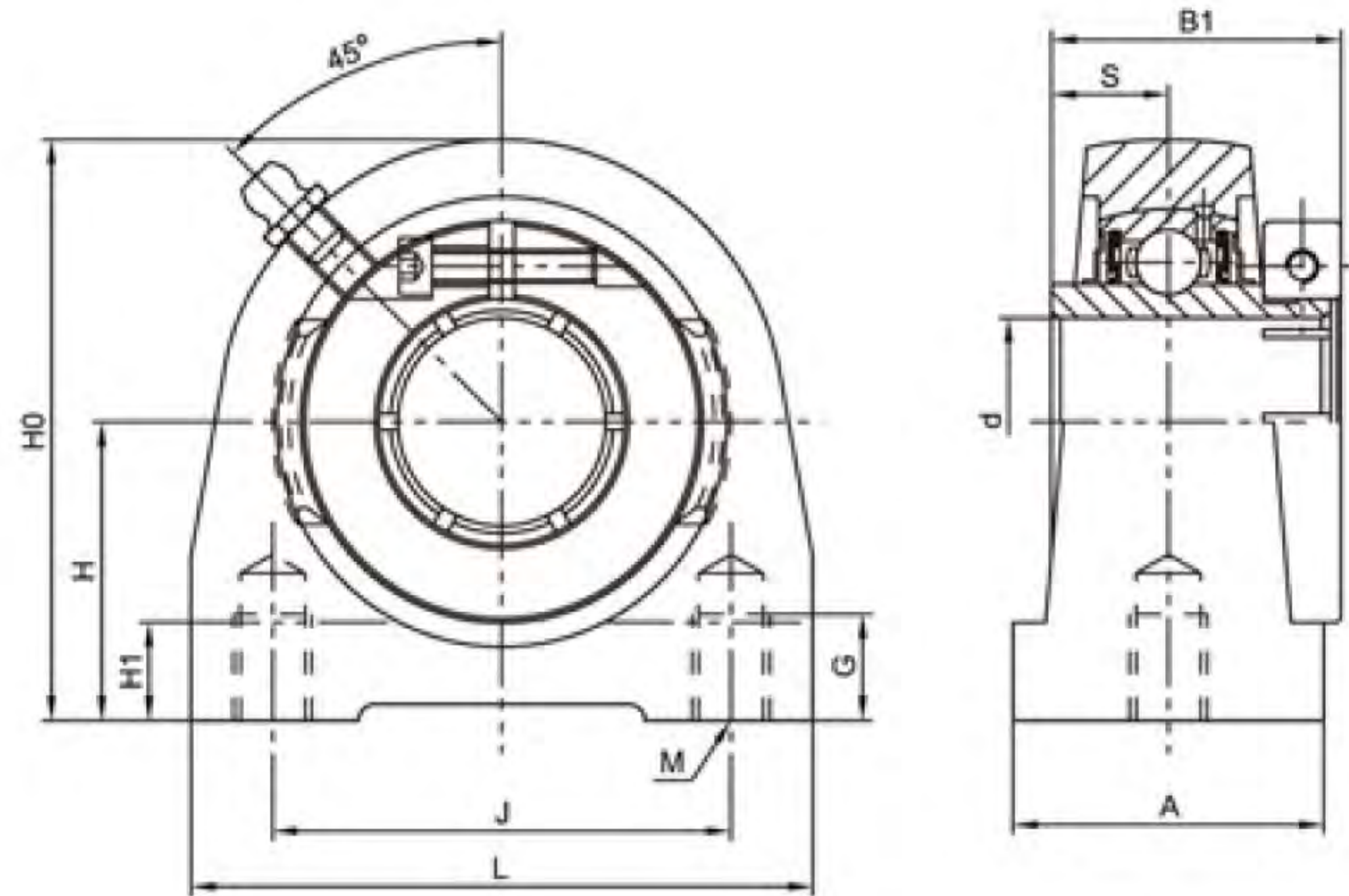


Unit No.	Shaft Dia		Dimensions(mm)								Bolt Size (mm)	Weight (kg)	
	d		H	L	J	A	G	H1	H0	B			S
	(in)	(mm)											
SSUCPA204A 204-12A	3/4	20	33.3	73	50.8	38	13	12	65	31	12.7	3/8"-16	0.69
SSUCPA205A 205-14A 205-15A 205-16A	7/8 15/16 1	25	36.5	76	50.8	38	13	12	71	34.1	14.3	3/8"-16	0.77
SSUCPA206A 206-17A 206-18A 206-19A 206-20A	1-1/16 1-1/8 1-3/16 1-1/4	30	42.9	102	76.2	38	16	12	86	38.1	15.9	7/16"-14	1.33
SSUCPA207A 207-20A 207-21A 207-22A 207-23A	1-1/4 1-5/16 1-3/8 1-7/16	35	47.6	108	82.6	48	19	13	95	42.9	17.5	1/2"-13	1.72
SSUCPA208A 208-24A 208-25A	1-1/2 1-9/16	40	49.2	117	88.9	48	19	13	100	49.2	19.0	1/2"-13	2.09
SSUCPA209A 209-26A 209-27A 209-28A	1-5/8 1-11/16 1-3/4	45	54.2	127	95.3	51	19	13	108	49.2	19.0	1/2"-13	2.50
SSUCPA210A 210-30A 210-31A 210-32A	1-7/8 1-15/16 2	50	57.2	140	101.6	51	22	14	117	51.6	19.0	5/8"-11	3.10

Notes: 1. Upon request, available with plastic close cap(CC) or open cap(OC) at one end. Ordering example SSUCPA204-12A CC.  
2. Lubricated with food grade grease.

# LDK<sup>®</sup> All Stainless Steel Bearing Units

SSUEPA..A All stainless steel pillow blocks tapped base and inch-based housing,Concertric locking



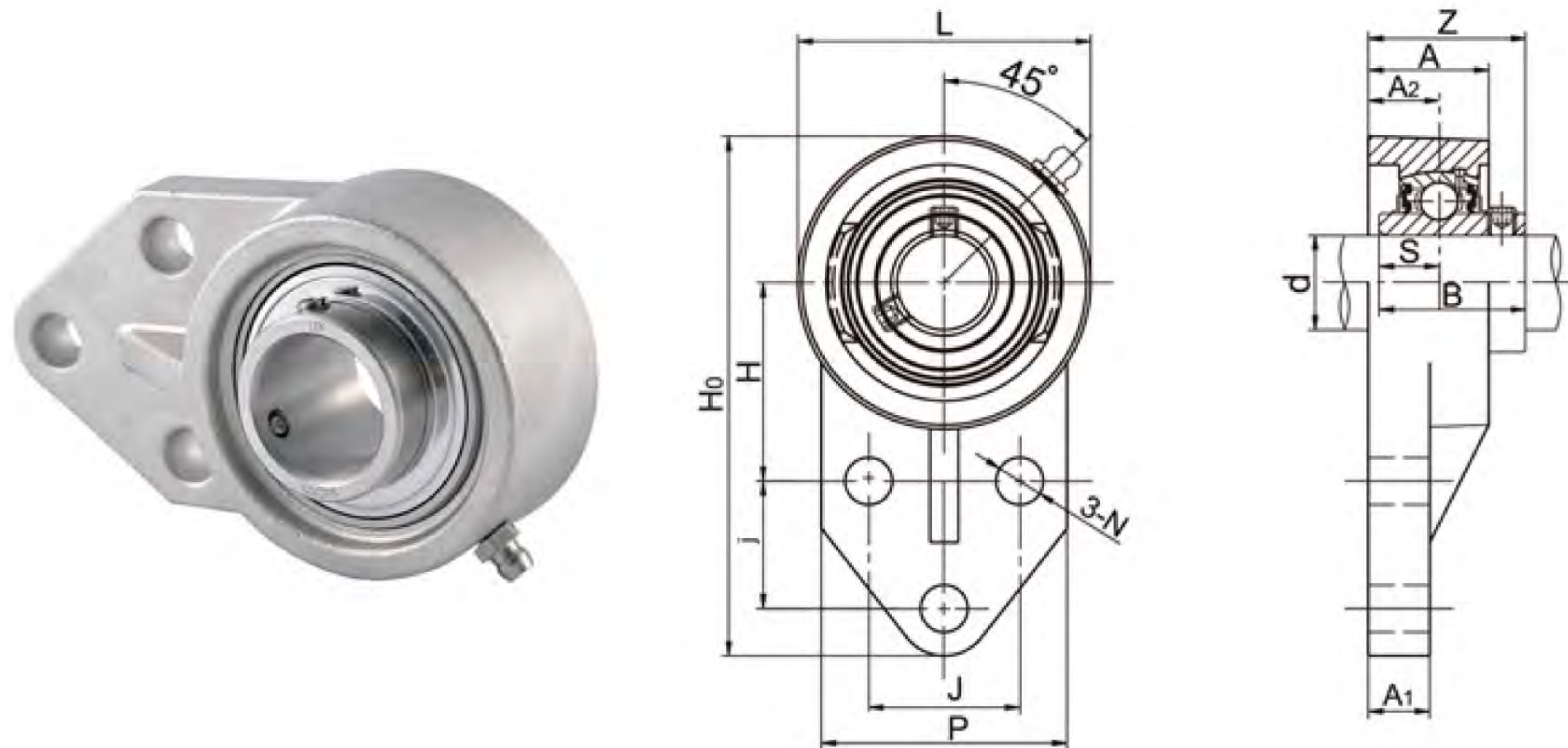
Unit No.	Shaft Dia		Dimensions(mm)										Weight (kg)
	d		H	L	J	A	G	H1	H0	B1	S	M	
	(in)	(mm)											
SSUEPA204A 204-12A	3/4	20	33.3	73	50.8	38	13	12	65	33	12.7	3/8"-16	0.71
SSUEPA205A 205-14A 205-15A 205-16A	7/8 15/16 1	25	36.5	76	50.8	38	13	12	71	35.4	14.3	3/8"-16	0.8
SSUEPA206A 206-17A 206-18A 206-19A 206-20A	1-1/16 1-1/8 1-3/16 1-1/4	30	42.9	102	76.2	38	16	12	86	39.8	15.9	7/16"-14	1.33
SSUEPA207A 207-20A 207-21A 207-22A 207-23A	1-1/4 1-5/16 1-3/8 1-7/16	35	47.6	108	82.6	48	19	13	95	43.9	17.5	1/2"-13	1.74
SSUEPA208A 208-24A 208-25A	1-1/2 1-9/16	40	49.2	117	88.9	48	19	13	100	50.2	19.0	1/2"-13	2.12
SSUEPA209A 209-26A 209-27A 209-28A	1-5/8 1-11/16 1-3/4	45	54.2	127	95.3	51	19	13	108	50.2	19.0	1/2"-13	2.57
SSUEPA210A 210-30A 210-31A 210-32A	1-7/8 1-15/16 2	50	57.2	140	101.6	51	22	14	117	52.6	19.0	5/8"-11	3.15

Notes: 1. Upon request, available with plastic close cap(CC) or open cap(OC) at one end. Ordering example SSUEPA204-12A CC.  
2. Lubricated with food grade grease.



# All Stainless Steel Bearing Units **LDK**<sup>®</sup>

SSUCFB..A All stainless steel flange bracket units and inch-based housing, Setscrew locking

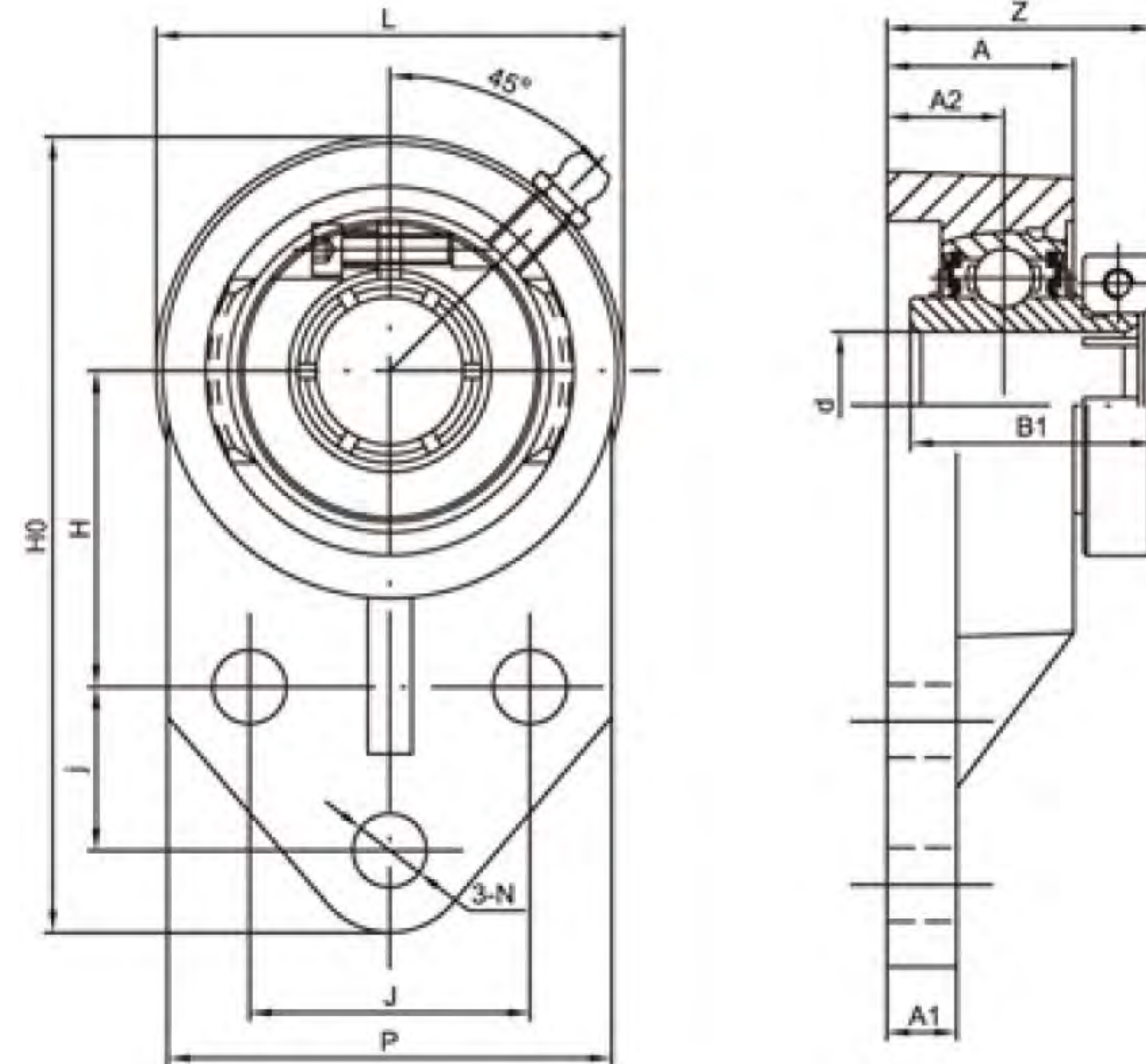


Unit No.	Shaft Dia		Dimensions(mm)													Bolt Size (mm)	Weight (kg)
	d		H <sub>0</sub>	H	J	j	A <sub>2</sub>	A <sub>1</sub>	A	N	L	P	B	S	Z		
	(in)	(mm)															
SSUCFB204A		20															
204-12A	3/4		108	42.9	38.1	22.2	15.9	9.5	25.4	10	63.5	60.3	31	12.7	34.2	M8	0.58
SSUCFB205A		25															
205-14A	7/8		120.7	46	41.6	28.6	16.7	11.1	29.4	10	69.1	63.5	34.1	14.3	36.4	M8	0.73
205-15A	15/16																
205-16A	1																
SSUCFB206A		30															
206-17A	1-1/16		136.5	52.4	47.6	31.8	18.7	11.1	33.3	10	82.6	70	38.1	15.9	40.8	M8	1.13
206-18A	1-1/8																
206-19A	1-3/16																
206-20A	1-1/4																
SSUCFB207A		35															
207-20A	1-1/4		155.6	60.3	50.8	31.8	21	14.3	37.3	13	94.5	82.6	42.9	17.5	46.4	M10	1.70
207-21A	1-5/16																
207-22A	1-3/8																
207-23A	1-7/16																

Notes: 1. Upon request, available with plastic close cap(CC) or open cap(OC) at one end. Ordering example SSUCFB204-12A CC.  
2. Lubricated with food grade grease.

# LDK<sup>®</sup> All Stainless Steel Bearing Units

SSUEFB..A All stainless steel flange bracket units and inch-based housing, Concentric locking

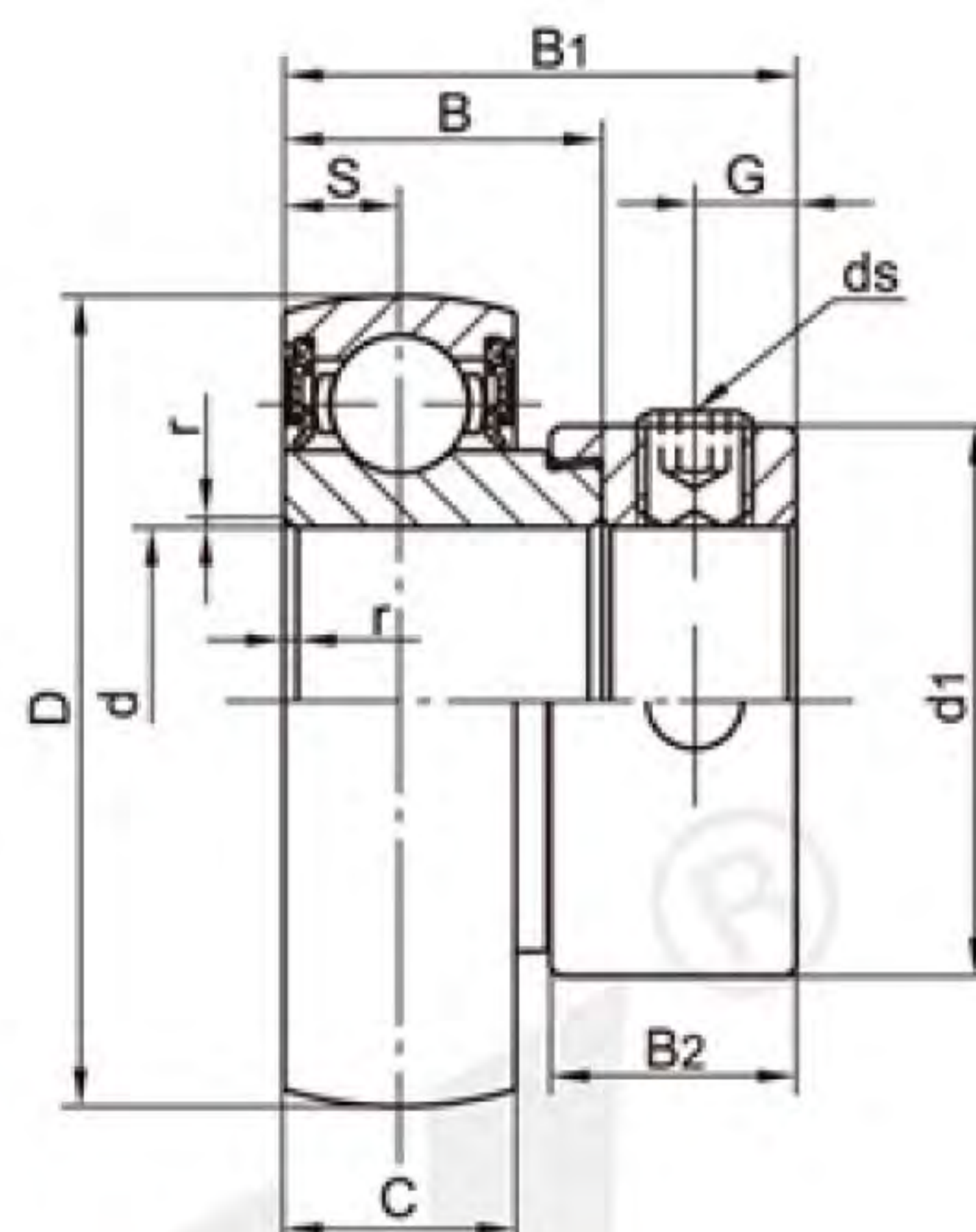


Unit No.	Shaft Dia		Dimensions(mm)													Bolt Size (mm)	Weight (kg)	
	d		H <sub>0</sub>	H	J	j	A <sub>2</sub>	A <sub>1</sub>	A	N	L	P	B <sub>1</sub>	S	Z			
	(in)	(mm)																
SSUEFB204A		20																
204-12A	3/4		108	42.9	38.1	22.2	15.9	9.5	25.4	10	63.5	60.3	33	12.7	36.2	M8	0.60	
SSUEFB205A		25																
205-14A	7/8		120.7	46	41.6	28.6	16.7	11.1	29.4	10	69.1	63.5	35.4	14.3	37.7	M8	0.80	
205-15A	15/16																	
205-16A	1																	
SSUEFB206A		30																
206-17A	1-1/16		136.5	52.4	47.6	31.8	18.7	11.1	33.3	10	82.6	70	39.8	15.9	42.5	M8	1.13	
206-18A	1-1/8																	
206-19A	1-3/16																	
206-20A	1-1/4																	
SSUEFB207A		35																
207-20A	1-1/4		155.6	60.3	50.8	31.8	21	14.3	37.3	13	94.5	82.6	43.9	17.5	47.4	M10	1.70	
207-21A	1-5/16																	
207-22A	1-3/8																	
207-23A	1-7/16																	

Notes: 1. Upon request, available with plastic close cap(CC) or open cap(OC) at one end. Ordering example SSUEFB204-12A CC.  
2. Lubricated with food grade grease.

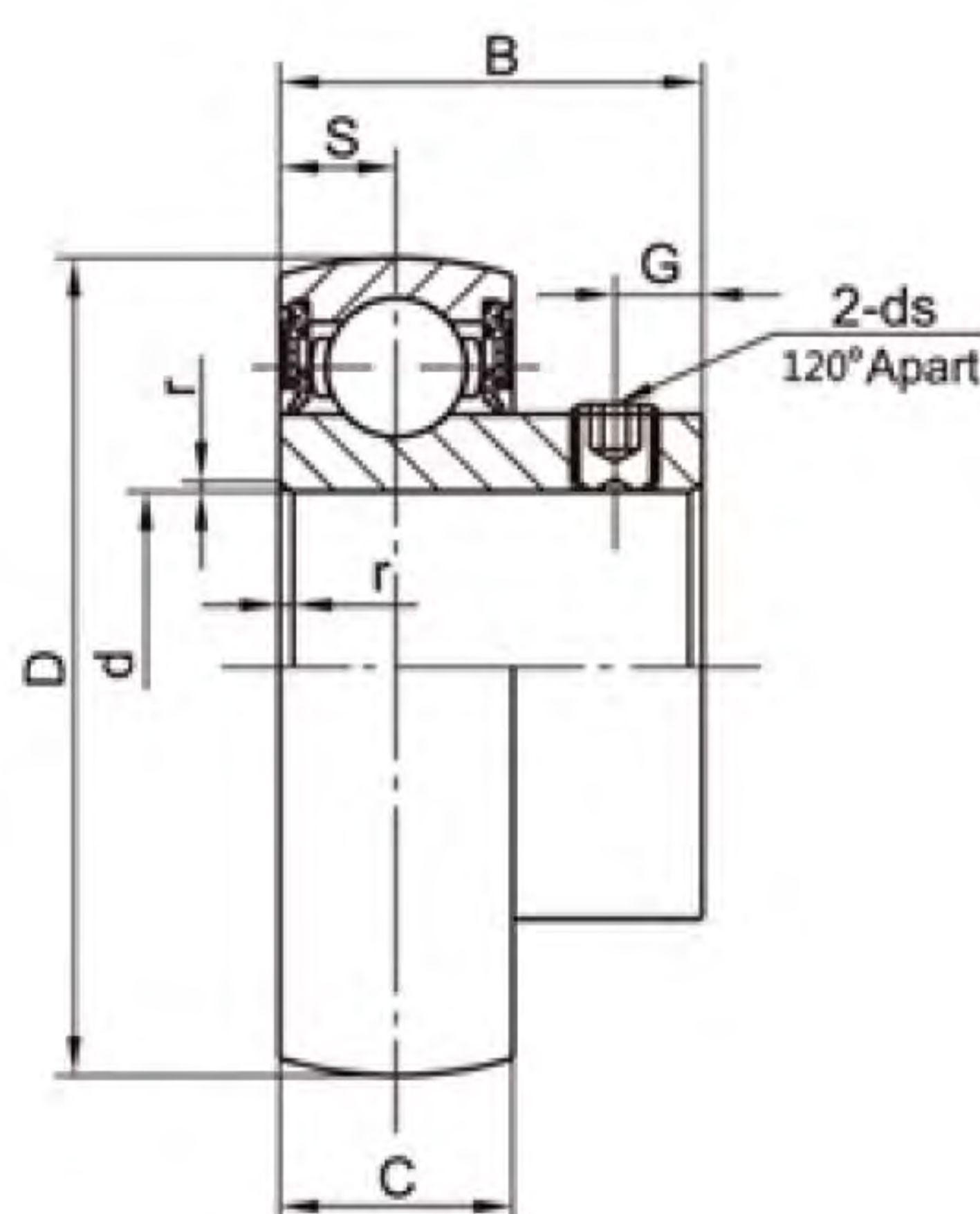
# All Stainless Steel Silver Series **LDK**<sup>®</sup>

SK/SU Stainless steel, Setscrew/Eccentric locking



## SU000 Series

Bearing No.	Shaft d(mm)	Dimensions(mm)										Basic Load Rating kgf		Weight (kg)
		D	B	C	S	B1	B2	d1	r	G	ds	Dynamic Cr	Static Cor	
SU 000	10	26	11	8	4	17.5	8.5	17	0.7	3.5	M4X0.7	4.60	1.96	0.03
SU 001	12	28	11	8	4	17.5	8.5	19	0.7	3.5	M4X0.7	5.09	2.4	0.03
SU 002	15	32	12	9	4.5	18.5	8.5	22	0.7	3.5	M4X0.7	5.58	2.84	0.04
SU 003	17	35	13.5	10	5	20.5	9.5	25	0.8	3.5	M4X0.7	5.97	3.28	0.06
SU 004	20	42	16.5	12	6	24.5	11	30	1.3	3.8	M5X0.8	9.35	5.04	0.1
SU 005	25	47	17.5	12	6	25.5	12	36	1.3	4	M5X0.8	10.09	5.83	0.12
SU 006	30	55	18.5	13	6.5	26.5	12	42	1.5	4	M5X0.8	13.23	8.28	0.17

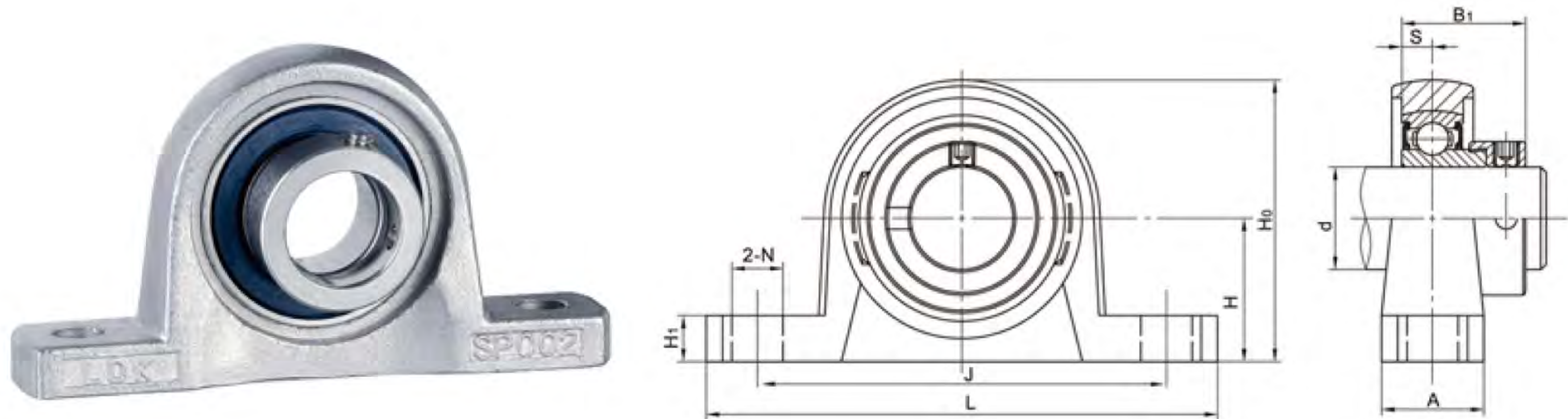


## SK000 Series

Bearing No.	Shaft d(mm)	Dimensions(mm)							Basic Load Rating kgf		Weight (kg)
		D	B	C	S	r	G	ds	Dynamic Cr	Static Cor	
SK 000	10	26	14	8	4	0.7	3	M3x0.5	4.6	1.96	0.02
SK 001	12	28	14.5	8	4	0.7	3	M3x0.5	5.09	2.4	0.03
SK 002	15	32	16.5	9	4.5	0.7	3.5	M4X0.7	5.58	2.84	0.04
SK 003	17	35	17.5	10	5	0.8	3.5	M4X0.7	5.97	3.28	0.05
SK 004	20	42	21	12	6	1.3	4	M5X0.8	9.35	5.04	0.08
SK 005	25	47	22.5	12	6	1.3	4.5	M5X0.8	10.09	5.83	0.10
SK 006	30	55	24.5	13	6.5	1.5	5	M5X0.8	13.23	8.28	0.15

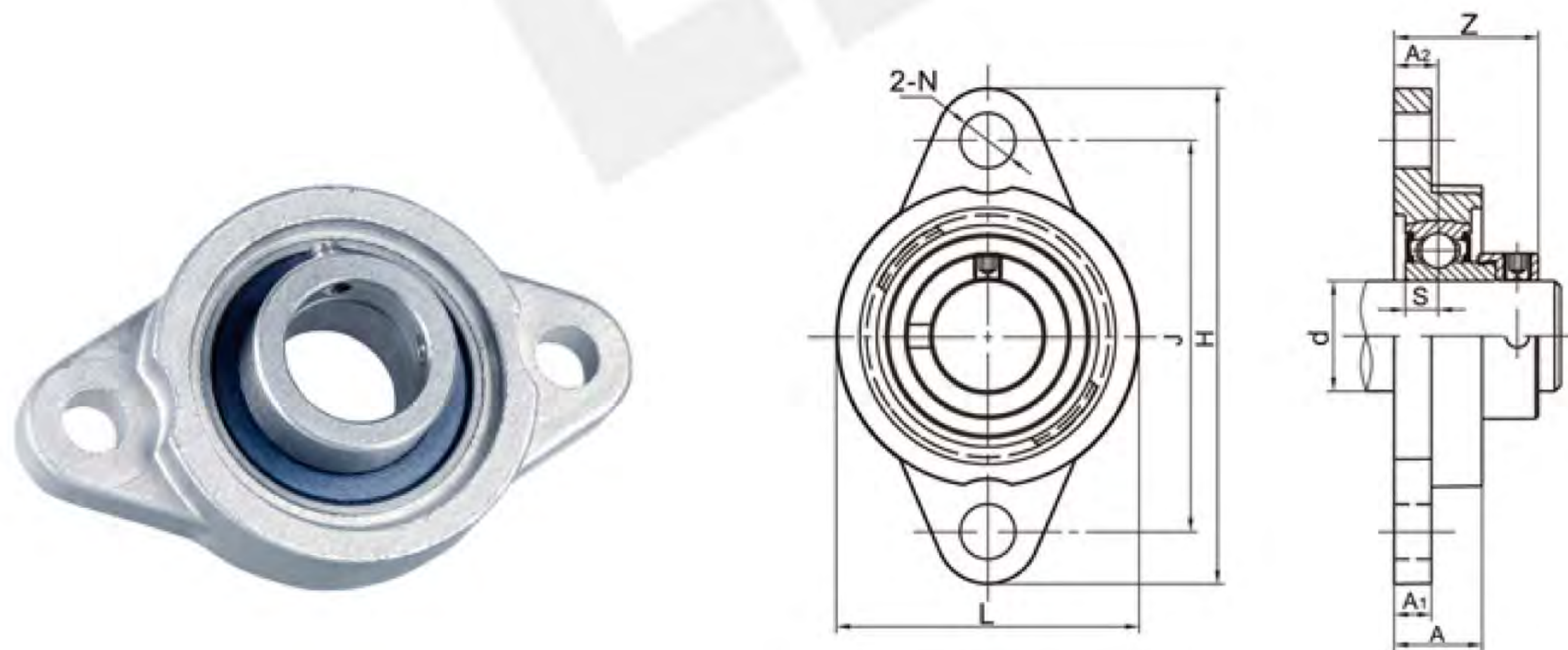
# LDK<sup>®</sup> All Stainless Steel Silver Series

SSUP/SSUFL All stainless steel silver series, Pillow blocks/2-bolt flange, Eccentric locking



## SSUP000 Series

Unit No.	Shaft d(mm)	Dimensions(mm)									Bolt Size (mm)	Bearing No.	Housing No.	Weight (kg)
		H	L	J	A	H1	H0	N	S	B1				
SSUP000	10	18	67	53	16	6	35	7	4	17.7	M6	SU000	SP000	0.1
SSUP001	12	19	71	56	16	6	38	7	4	17.7	M6	SU001	SP001	0.11
SSUP002	15	22	80	63	16	7	43	7	4.5	18.7	M6	SU002	SP002	0.15
SSUP003	17	24	85	67	18	7	47	7	5	20.7	M6	SU003	SP003	0.19
SSUP004	20	28	100	80	20	9	55	10	6	24.2	M8	SU004	SP004	0.29
SSUP005	25	32	112	90	20	10	62	10	6	25	M8	SU005	SP005	0.35
SSUP006	30	36	132	106	26	11	70	13	6.5	26	M10	SU006	SP006	0.54

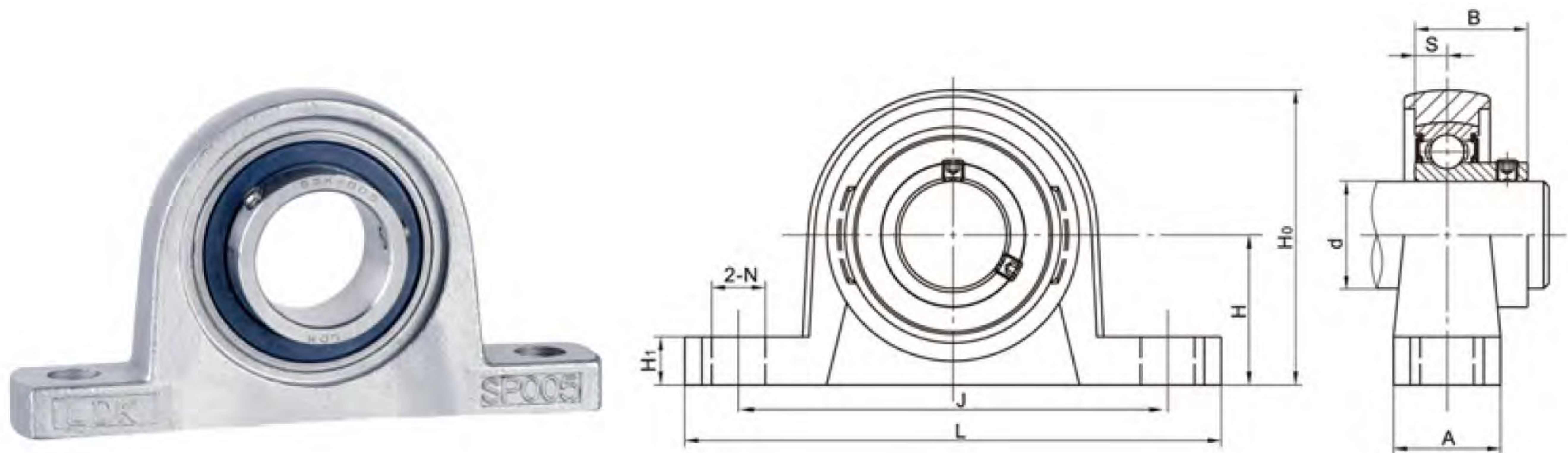


## SSUFL000 Series

Unit No.	Shaft d(mm)	Dimensions(mm)									Bolt Size (mm)	Bearing No.	Housing No.	Weight (kg)
		H	J	A2	A1	A	N	L	S	Z				
SSUFL000	10	60	45	5.5	6	12	7	36	4	19.7	M6	SU000	SFL000	0.09
SSUFL001	12	63	48	5.5	6	12	7	38	4	19.7	M6	SU001	SFL001	0.09
SSUFL002	15	67	53	6.5	6.5	13	7	42	4.5	20.7	M6	SU002	SFL002	0.11
SSUFL003	17	71	56	7	7	14	7	46	5	22.7	M6	SU003	SFL003	0.14
SSUFL004	20	90	71	8	8	16	10	55	6	26.2	M8	SU004	SFL004	0.25
SSUFL005	25	95	75	8	8	16	10	60	6	27	M8	SU005	SFL005	0.28
SSUFL006	30	112	85	9	9	18	13	70	6.5	28.5	M10	SU006	SFL006	0.42

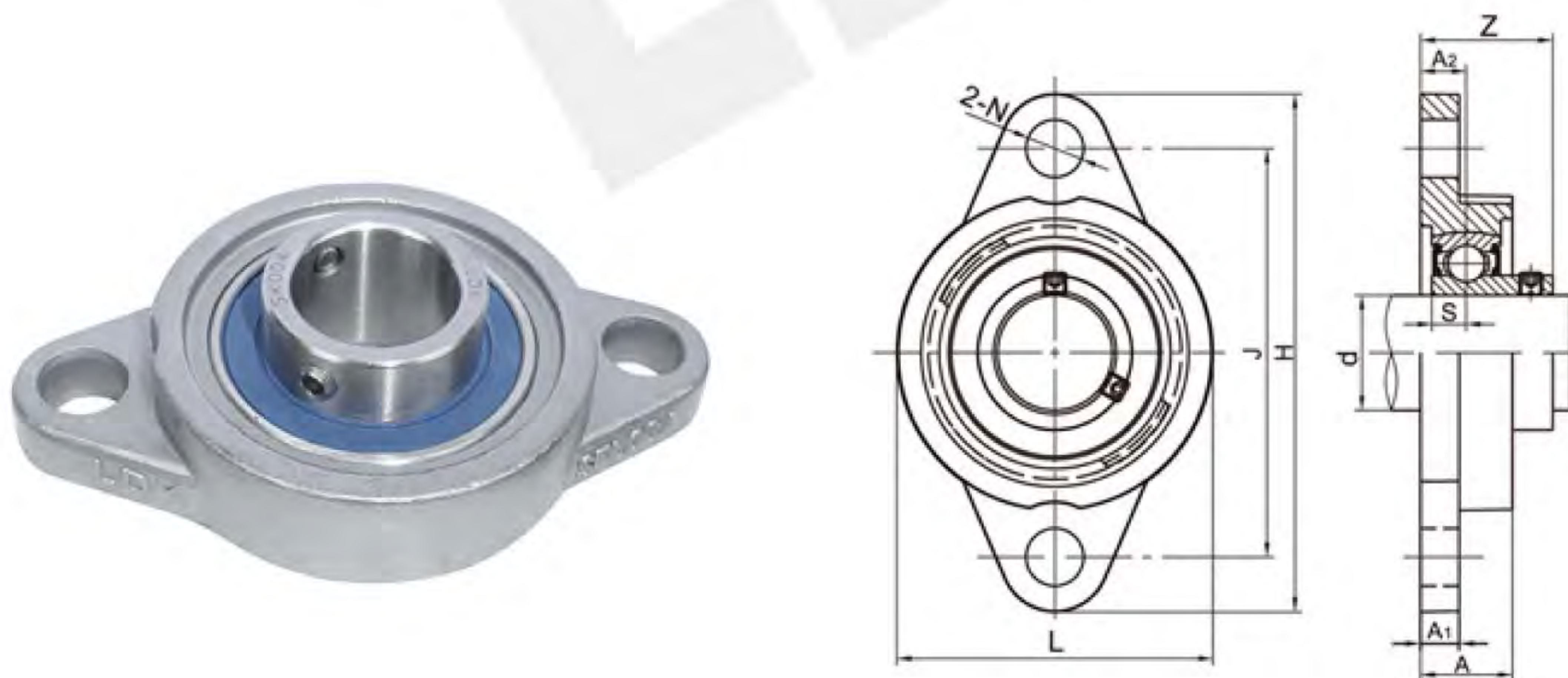
# All Stainless Steel Silver Series **LDK**<sup>®</sup>

SSKP/SSKFL All stainless steel silver series, Pillow blocks/2-bolt flange, Setscrew locking



## SSKP000 Series

Unit No.	Shaft d(mm)	Dimensions(mm)									Bolt Size (mm)	Bearing No.	Housing No.	Weight (kg)
		H	L	J	A	H1	H0	N	S	B				
SSKP000	10	18	67	53	16	6	35	7	4	14	M6	SK000	SP000	0.087
SSKP001	12	19	71	56	16	6	38	7	4	14.5	M6	SK001	SP001	0.11
SSKP002	15	22	80	63	16	7	43	7	4.5	16.5	M6	SK002	SP002	0.15
SSKP003	17	24	85	67	18	7	47	7	5	17.5	M6	SK003	SP003	0.18
SSKP004	20	28	100	80	20	9	55	10	6	21	M8	SK004	SP004	0.27
SSKP005	25	32	112	90	20	10	62	10	6	22.5	M8	SK005	SP005	0.33
SSKP006	30	36	132	106	26	11	70	13	6.5	24.5	M10	SK006	SP006	0.52



## SSKFL000 Series

Unit No.	Shaft d(mm)	Dimensions(mm)									Bolt Size (mm)	Bearing No.	Housing No.	Weight (kg)
		H	J	A2	A1	A	N	L	S	Z				
SSKFL000	10	60	45	5.5	6	12	7	36	4	16	M6	SK000	SFL000	0.08
SSKFL001	12	63	48	5.5	6	12	7	38	4	16.5	M6	SK001	SFL001	0.09
SSKFL002	15	67	53	6.5	6.5	13	7	42	4.5	18.5	M6	SK002	SFL002	0.11
SSKFL003	17	71	56	7	7	14	7	46	5	19.5	M6	SK003	SFL003	0.14
SSKFL004	20	90	71	8	8	16	10	55	6	23	M8	SK004	SFL004	0.24
SSKFL005	25	95	75	8	8	16	10	60	6	24.5	M8	SK005	SFL005	0.27
SSKFL006	30	112	85	9	9	18	13	70	6.5	27	M10	SK006	SFL006	0.4



**DEYUAN BEARING MANUFACTURING CO.,LTD**

Address: Xipu industry park,Luojiang district,Quanzhou Fujian,  
P.R.China 362013

TEL: +86-595-28022588 28022688

FAX: +86-595-28023366 28023388

**EXPORT SALES OFFICE**

Address: Unit A01, floor 19th,Yin Long Building, No 258,Dong  
Du Road,Xiamen, Fujian Province,P.R.China 361012

TEL: +86-592-5808851 5808852

FAX: +86-592-5808850

Http://www.ldk-bearings.com

E-mail: kzhang@ldk-bearings.com , benjamin@ldk-bearings.com

